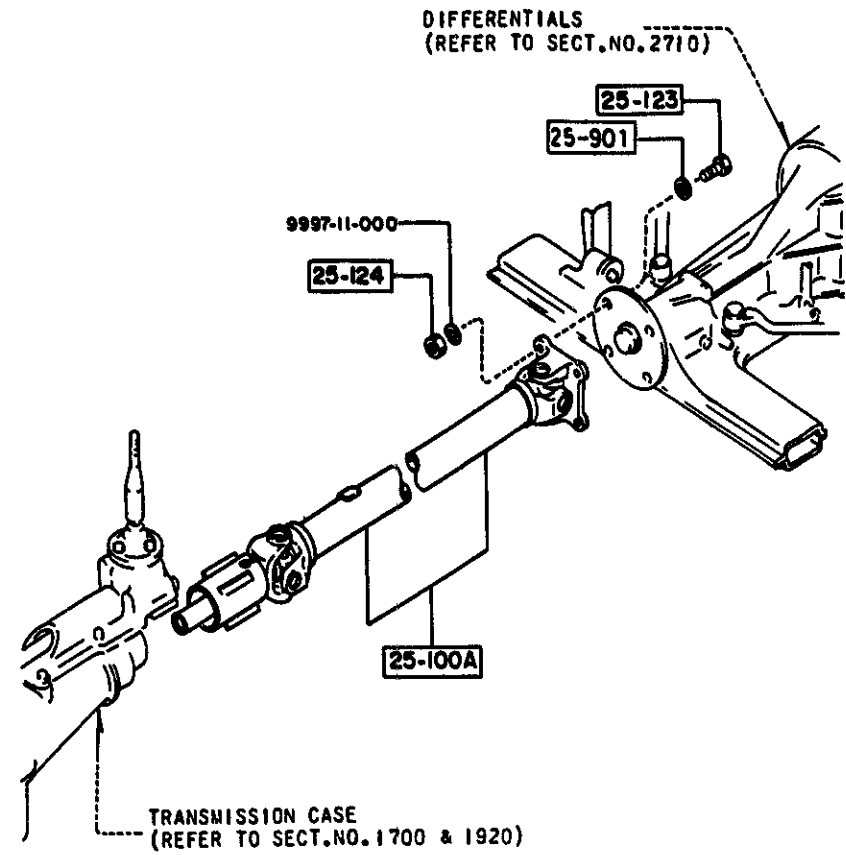


SECTION INDEX -- CHASSIS

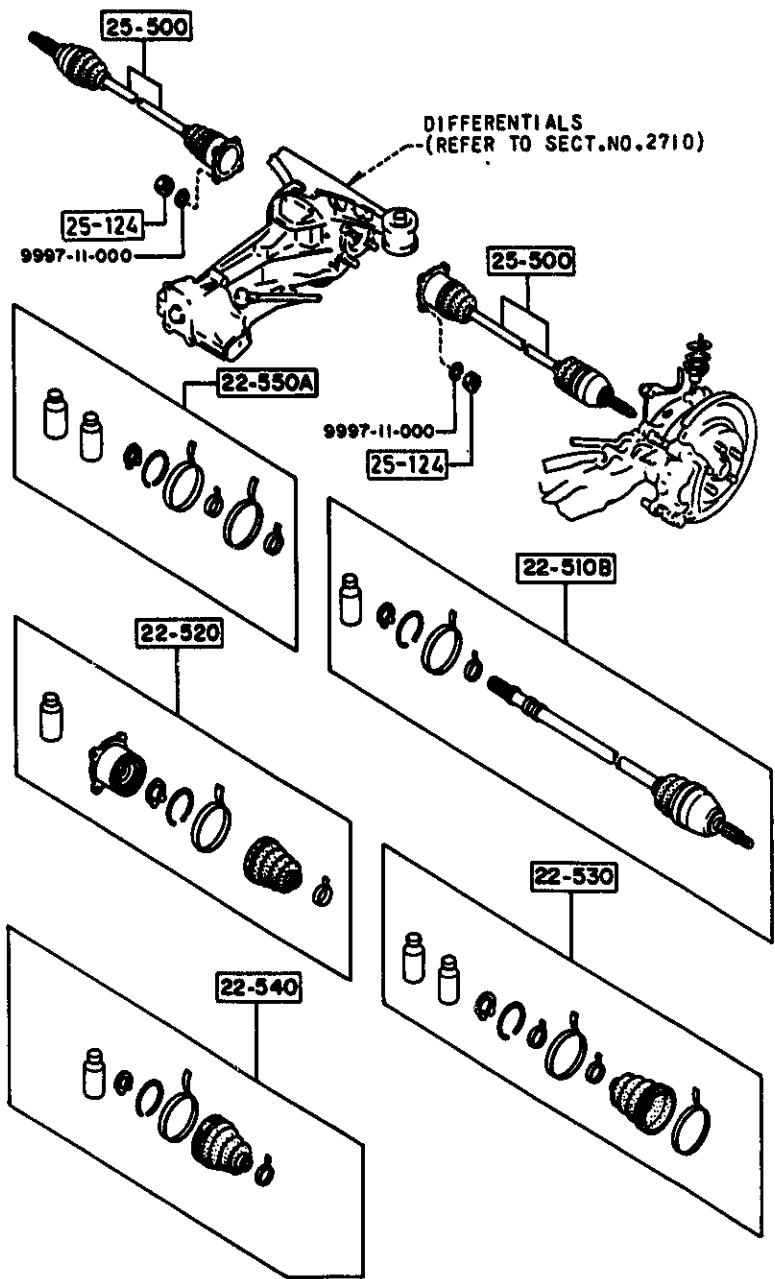
STARTING LOCATION	SECT. NO.	SECTION NAME	STARTING LOCATION	SECT. NO.	SECTION NAME	STARTING LOCATION	SECT. NO.	SECTION NAME
1 - C11	2500	DRIVESHAFT	1 - K14	3900BA	ENGINE & TRANSMISSION MOUNTINGS (TURBO)			
1 - D11	2550	REAR DRIVESHAFTS	1 - L14	4000B	EXHAUST SYSTEM (W/O TURBO)			
1 - E11	2600	REAR AXLE	1 - C15	4000BA	EXHAUST SYSTEM (TURBO)			
1 - F11	2610	REAR BRAKE MECHANISMS	1 - E15	4140B	CLUTCH RELEASE & MASTER CYLINDERS (MANUAL TRANSMISSION)			
1 - H11	2710	REAR DIFFERENTIALS (W/O TURBO)(NORMAL DIFFERENTIAL)	1 - F15	4160	ACCELERATOR CONTROL SYSTEM			
1 - J11	2710A	REAR DIFFERENTIALS (W/O TURBO)(LIMITED-SLIP DIFFERENTIAL)	1 - G15	4200	FUEL TANK			
1 - L11	2710C	REAR DIFFERENTIALS (TURBO)(LIMITED-SLIP DIFFERENTIAL)	1 - H15	4300	CLUTCH & BRAKE PEDALS			
1 - N11	2800	REAR SUSPENSION MECHANISMS (W/O TURBO) (W/O AUTOMATIC ADJUSTING SUSPENSION)	1 - J15	4340	BRAKE MASTER CYLINDER & POWER BRAKE (W/O ANTI-LOCK BRAKE SYSTEM)			
1 - C12	2800A	REAR SUSPENSION MECHANISMS (W/O TURBO) (FOR AUTOMATIC ADJUSTING SUSPENSION)	1 - L15	4340A	BRAKE MASTER CYLINDER & POWER BRAKE (ANTI-LOCK BRAKE SYSTEM)			
1 - D12	2800B	REAR SUSPENSION MECHANISMS (TURBO)	1 - N15	4360	BRAKE PIPINGS (W/O ANTI-LOCK BRAKE SYSTEM)			
1 - E12	2810	REAR STABILIZER	1 - C16	4360A	BRAKE PIPINGS (ANTI-LOCK BRAKE SYSTEM)			
1 - F12	2830	REAR LOWER ARMS & SUB-FRAME	1 - D16	4370	ANTI-LOCK BRAKE SYSTEMS			
1 - H12	3200	STEERING WHEEL	1 - F16	4400	PARKING BRAKE SYSTEM			
1 - I12	3210	STEERING COLUMN & SHAFTS	1 - G16	4500B	FUEL PIPINGS (W/O ANTI-LOCK BRAKE SYSTEM)			
1 - J12	3210A	STEERING COLUMN & SHAFTS (W/ POWER STEERING)	1 - H16	4500BA	FUEL PIPINGS (ANTI-LOCK BRAKE SYSTEM)			
1 - K12	3220	STEERING GEAR (W/O POWER STEERING)	1 - I16	4600	CHANGE CONTROL SYSTEM (AUTOMATIC TRANSMISSION)			
1 - L12	3220A	STEERING GEAR (W/ POWER STEERING)						
1 - M12	3230	STEERING LINKAGE SYSTEM						
1 - C13	3240	POWER STEERING SYSTEM						
1 - E13	3300	FRONT AXLE & BRAKE MECHANISMS (FOR NORMAL SUSPENSION)						
1 - I13	3300A	FRONT AXLE & BRAKE MECHANISMS (FOR HARD SUSPENSION) (W/O ANTI-LOCK BRAKE SYSTEM)						
1 - K13	3300B	FRONT AXLE & BRAKE MECHANISMS (FOR HARD SUSPENSION) (ANTI-LOCK BRAKE SYSTEM)						
1 - M13	3400	FRONT SUSPENSION MECHANISMS (W/O TURBO) (W/O AUTOMATIC ADJUSTING SUSPENSION)						
1 - N13	3400A	FRONT SUSPENSION MECHANISMS (W/O TURBO) (FOR AUTOMATIC ADJUSTING SUSPENSION)						
1 - C14	3400B	FRONT SUSPENSION MECHANISMS (TURBO)						
1 - D14	3410	CROSSMEMBER & STABILIZER						
1 - E14	3700	TIRES & JACK (W/O TURBO)						
1 - H14	3700A	TIRES & JACK (TURBO)						
1 - J14	3900B	ENGINE & TRANSMISSION MOUNTINGS (W/O TURBO)						

2500-1 DRIVESHAFT



ITEM NO.	D-CODE	DESCRIPTION	PART NO.	QTY	MODEL/DESCRIPTION	REMARKS
25 100A		DRIVESHAFT	M060-25-100C	1	M/T, W/O TURBO	
			M051-25-100C	1	A/T, W/O TURBO	
			P039-25-100A	1	TURBO	
25 123		BOLT	P012-25-123	4	W/O TURBO	
			1368-25-124	4	TURBO	
25 124		NUT	1368-25-124	4		
25 901		WASHER, BALANCE WEIGHT	M055-25-901	2	W=2.2G	
			M055-25-902	2	W=3.4G	
			M055-25-903	2	W=4.5G	
			M055-25-904	2	W=5.6G	

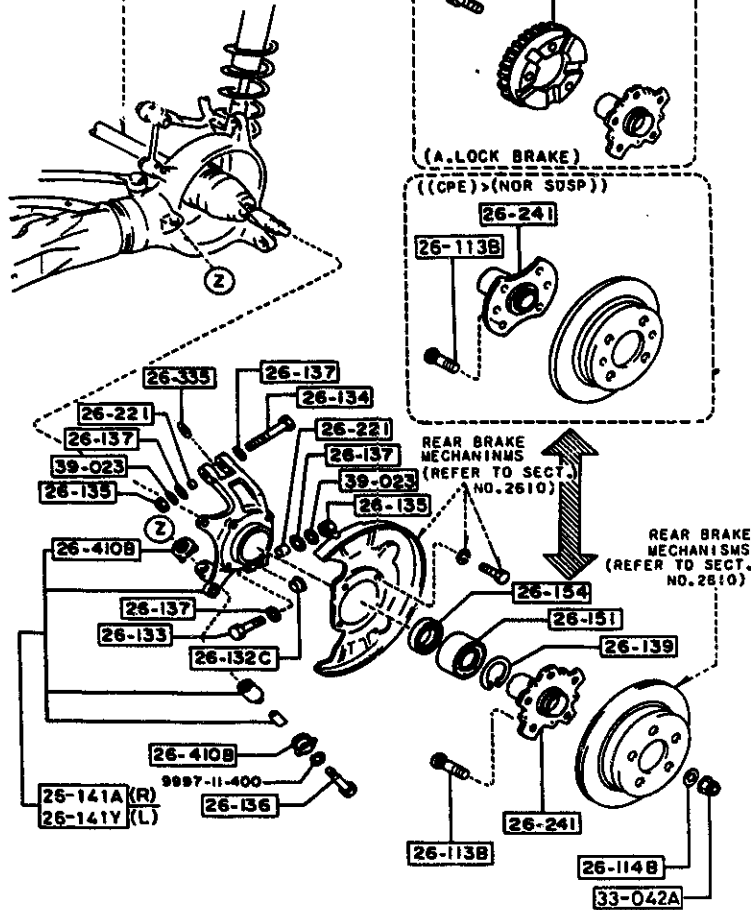
2550-1 REAR DRIVESHAFTS



ITEM NO.	D-CODE	DESCRIPTION	PART NO.	QTY	MODEL/DESCRIPTION	REMARKS
22 510B		JOINT SET, OUTER	M030-22-510A M040-22-510B	2	W/O TURBO TURBO	
22 520		JOINT SET, INNER	M030-22-520A M040-22-520A	2	W/O TURBO TURBO	
22 530		BOOT SET, OUTER JOINT	M030-22-530A M040-22-530B	2	W/O TURBO TURBO	
22 540		BOOT SET, INNER JOINT	M030-22-540A M040-22-540A	2	W/O TURBO TURBO	
22 550		CLIP SET	M030-22-550A M040-22-550B	2	W/O TURBO TURBO	
25 124		NUT	1368-25-124	8		
25 500		DRIVESHAFT	M030-25-500B < A > M030-25-500C M040-25-500D	2	W/O TURBO TURBO	

2600-1 REAR AXLE

REAR DRIVE SHAFTS
(REFER TO SECT. NO. 2550)

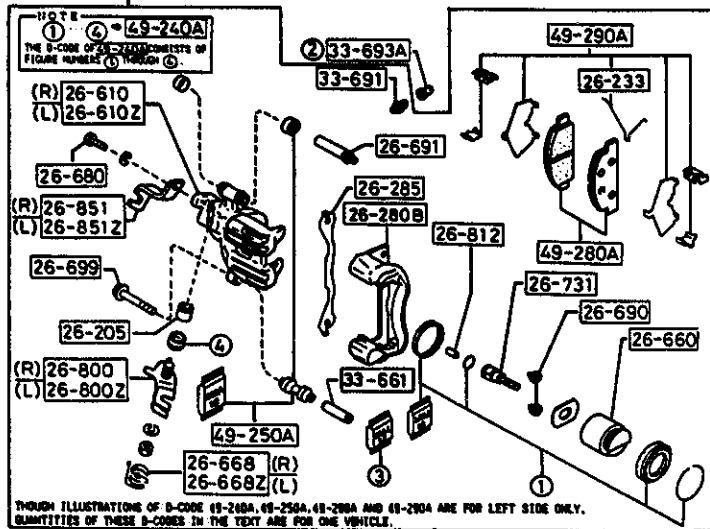
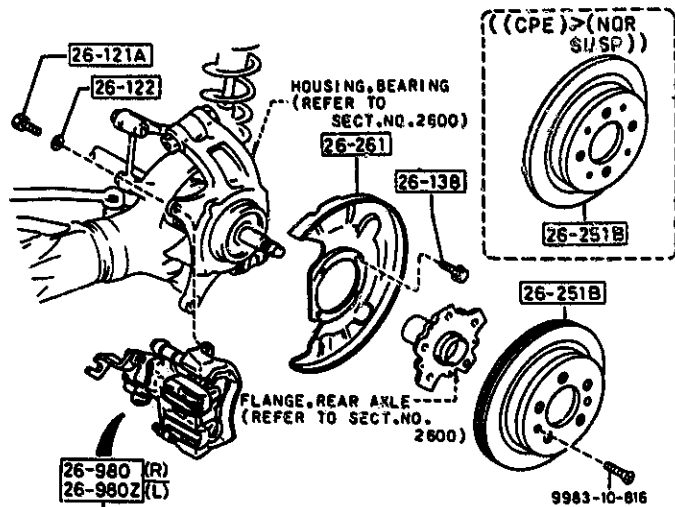


VEHICLE RESTRICTION			
BODY TYPE	HARD SUSP.	A. A. SUSP.	DISC WHEEL
COUPE	-	-	4 HOLES-14"
	x	-	5 HOLES-15"/16"
	x	x	5 HOLES-15"/16"
CONVERTIBLE	-	-	5 HOLES-15"

ITEM NO.	D-CODE	DESCRIPTION	PART NO.	QTY	MODEL/DESCRIPTION	REMARKS
26 113B		BOLT, HUB	H001-26-113	8	NORMAL SUSPENSION	
				10	HARD SUSPENSION	
26 114B		WASHER, PLAIN	H001-26-114A	2		
26 132C		WASHER, SLEEVE-REAR BRAKE	FB01-26-132	2		
26 133		BOLT	FB01-26-133	2		
26 134		BOLT, LOWER ARM	FB01-26-134	2		
26 135		NUT, LOWER ARM	FB01-26-135	4		
26 136		BOLT, LOWER ARM	FB01-26-136	2		
26 137		WASHER, PLAIN-LOWER ARM	FB01-26-137	8		
			<AN> FB05-26-137	8		
26 139		RING, RETAINING	FB01-26-139	2		
26 141A		HUB (R), TOE CONTROL-OUTER	FB01-49-130	1		
26 141Y		HUB (L), TOE CONTROL-OUTER	FB01-49-140	1		
26 151		BEARING, REAR AXLE	FB01-26-151A	2		
26 154		SEAL, OIL-REAR AXLE	FB01-26-065A	2		
26 221		SLEEVE, LOWER ARM	FB01-26-221A	4		
26 241		FLANGE, REAR AXLE	FB01-26-241	2	NORMAL SUSPENSION	
			FB05-26-241A	2	HARD SUSPENSION	
26 335		STOPPER, LOWER ARM	FB01-26-335	2		
26 410B		RUBBER, SEAT-BEARING HOUSING	FC01-26-410			
26 471		ROTOR, SENSOR-REAR A.B.S.	F048-26-471	2		
33 042A		NUT	H001-26-042	2		
39 023		WASHER, SPRING-LOWER ARM	FB01-39-023	4		

2610-1

REAR BRAKE MECHANISMS

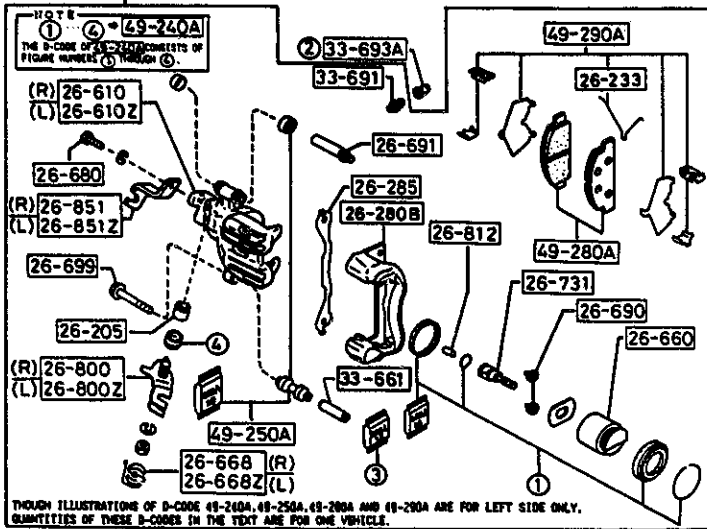
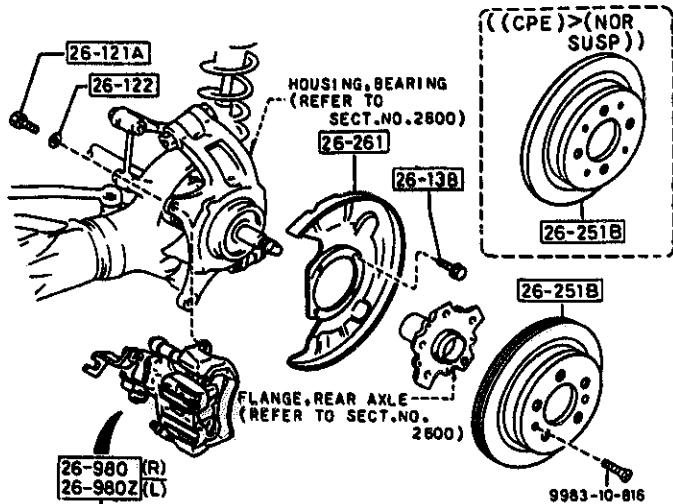


VEHICLE RESTRICTION			
BODY TYPE	HARD SUSP.	A.A. SUSP.	DISC WHEEL
COUPE	-	-	4 HOLES-14"
	x	-	5 HOLES-15"/16"
	x	x	5 HOLES-15"
CONVERTIBLE	-	-	5 HOLES-15"

ITEM NO.	D-CODE	DESCRIPTION	PART NO.	QTY	MODEL/DESCRIPTION	REMARKS
26 121A		BOLT, REAR BRAKE	FB01-26-121A	4		
26 122		WASHER, PLAIN-REAR BRAKE	FB01-26-122	4		
26 138		BOLT, DUST COVER	FB01-26-138	8		
26 205		BEARING	H001-26-205	2		
26 233		V-SPRING, REAR BRAKE	FB01-26-233	2	NORMAL SUSPENSION	
			FB05-26-233	2	HARD SUSPENSION	
26 251B		PLATE, DISC	FB01-26-251A	2	NORMAL SUSPENSION, 4-BOLT WHEEL	
			FB05-26-251A	2	HARD SUSPENSION, 5-BOLT WHEEL	
26 261		COVER, DUST	FB01-26-261B	2		
26 280B		SUPPORT, MOUNTING	FB01-26-281A	2	NORMAL SUSPENSION	
			FB05-26-281A	2	HARD SUSPENSION	
26 285		PLATE, GUARD-CALIPER BRAKE	FB01-26-285A	2		
26 610		CALIPER (R), REAR BRAKE	FB01-26-610B	1	NORMAL SUSPENSION	
			FB05-26-610B	1	HARD SUSPENSION	
26 610Z		CALIPER (L), REAR BRAKE	FB01-26-710B	1	NORMAL SUSPENSION	
			FB05-26-710B	1	HARD SUSPENSION	
26 660		PISTON, CALIPER-REAR	FA18-26-660	2		
26 668		SPRING (R), CALIPER-REAR	FB01-26-668	1		
26 668Z		SPRING (L), CALIPER-REAR	FB01-26-669	1		
26 680		BOLT	FA18-26-680	2		
26 690		STOPPER, CALIPER-REAR	FB01-26-694	2		
26 691		PIN, GUIDE	FA66-26-695	2		
26 699		PIN, LOCK	FA66-26-998	2		
26 731		SPINDLE, ADJUSTER	H001-26-731A	2		
26 800		LEVER (R), OPERATING	FB01-26-800A	1		
26 800Z		LEVER (L), OPERATING	FB01-26-810A	1		
26 812		LINK, CONNECTING	H001-26-812	2		
26 851		BRACKET (R), CALIPER-REAR	FB01-26-851	1		
26 851Z		BRACKET (L), CALIPER-REAR	FB01-26-861	1		
26 980		CALIPER (R), REAR BRAKE	FB01-26-980F	1	NORMAL SUSPENSION	
			FB05-26-980F	1	HARD SUSPENSION	
26 980Z		CALIPER (L), REAR BRAKE	FB01-26-990F	1	NORMAL SUSPENSION	
			FB05-26-990F	1	HARD SUSPENSION	
33 691		SCREW, BLEEDER	B107-33-691	4		
33 693A		CAP, BLEEDER SCREW	O259-33-693	4		
49 240A		SEAL KIT	FB02-49-240	1		
			H010-49-240	1	HARD SUSPENSION ONLY	6901-
49 250A		BOOT KIT, REAR CALIPER	FA67-26-45Z	1		
49 280A		PAD SUB SET, REAR	FB06-49-280	1		-6901

6901 FC33* -512255

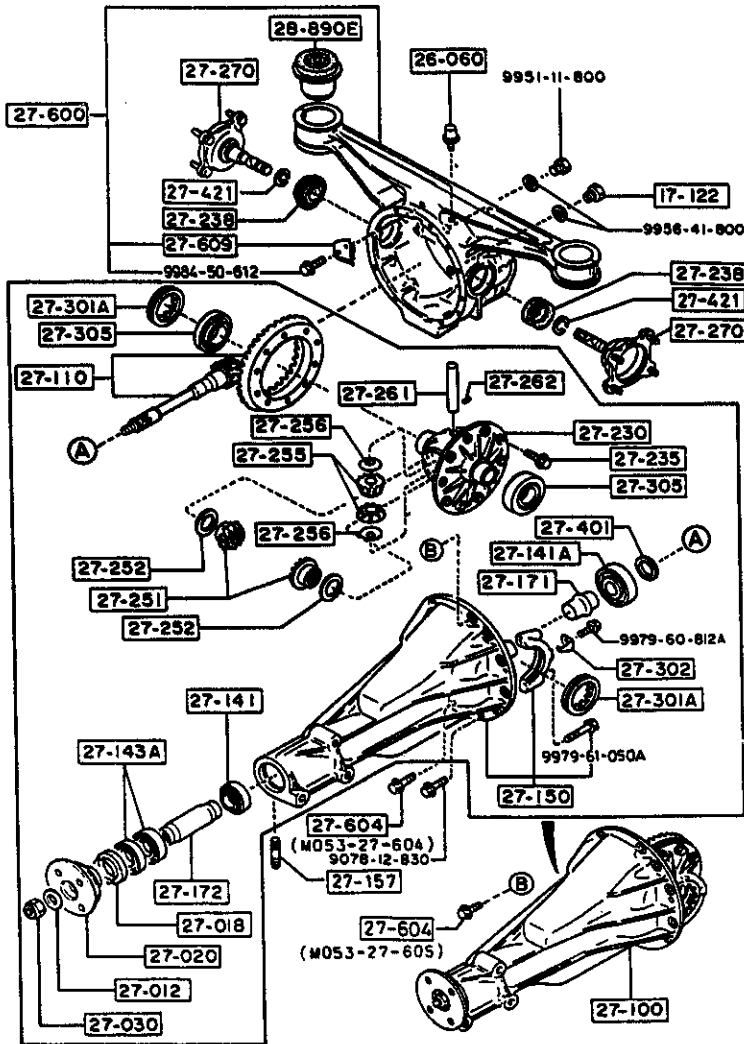
2610-2 REAR BRAKE MECHANISMS



VEHICLE RESTRICTION			
BODY TYPE	HARD SUSP.	A. A. SUSP.	DISC WHEEL
COUPE	-	-	4 HOLES-14"
	x	-	5 HOLES-15"/16"
	x	x	
CONVERTIBLE	-	-	5 HOLES-15"

ITEM NO.	D-CODE	DESCRIPTION	PART NO.	QTY	MODEL/DESCRIPTION	REMARKS
49 280A (CONT'D)			FB06-49-280A	1	REQUIRES ATTACH. KIT: FB02-49-290B	
49 290A		ATTACHMENT, PAD-REAR	FB02-49-290B	1	NORMAL SUSPENSION	
			FB06-49-290B	1	HARD SUSPENSION	

2710-1 REAR DIFFERENTIALS (W/O TURBO)(NORMAL DIFFERENTIAL)

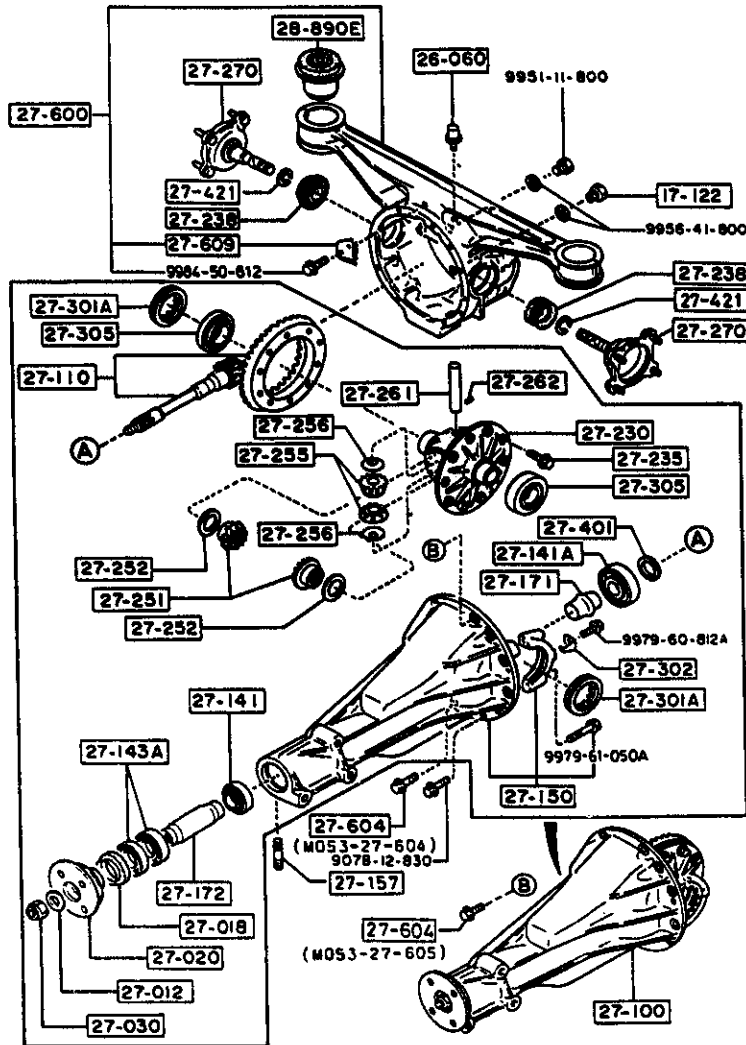


VEHICLE RESTRICTION			
BODY TYPE	HARD SUSP.	A.A.SUSP.	DISC WHEEL
COUPE	-	-	4 HOLES-14"
	x	-	5 HOLES-15"/16"
CONVERTIBLE	x	x	5 HOLES-15"/16"
	-	-	5 HOLES-15"

ITEM NO.	D-CODE	DESCRIPTION	PART NO.	QTY	MODEL/DESCRIPTION	REMARKS
17 122		PLUG, MAGNET	0810-17-121	1		
26 060		BREATHER	0730-26-060	1		
27 012		WASHER	0223-27-012	1		
27 018		SEAL, OIL	M055-27-165	1		
27 020		FLANGE, COMPANION	M055-27-120E	1		
27 030		NUT, LOCK	0223-27-030	1		
27 100		DRIVE & DIFFERENTIAL	M055-27-100D	1	COUPE, M/T	
			M067-27-100E	1	CONVERTIBLE	
27 110		GEAR SET, FINAL	M055-27-110A	1	COUPE, M/T	
			M067-27-110A	1	CONVERTIBLE	
27 141		BEARING, PINION	0755-27-210	1		
27 141A		BEARING, PINION	M025-27-210	1		
27 143A		BEARING, BALL-DRIVE PINION	M055-27-143	2		
27 150		CARRIER, DIFFERENTIAL	M055-27-150B	1		
27 157		STUD, DIFFERENTIAL CARRIER	P090-27-157	3		
27 171		PIECE, DISTANCE	M035-27-171	1		
27 172		COLLAR, LONG-DRIVE & DIFFERENTIAL	M055-27-172B	1		
27 230		CASE	M025-27-231B	1		
27 235		BOLT, RING GEAR	8051-27-235	10	D=10MM	
			8051-27-236	10	D=10.2MM	
27 238		SEAL, OIL	F003-27-238A	2		
27 251		GEAR, DIFFERENTIAL SIDE	M025-27-251	2		
27 252		WASHER	0290-27-252	2	T=2MM	
			0290-27-256	2	T=2.05MM	
			0290-27-253	2	T=2.1MM	
			0290-27-259	2	T=2.15MM	
			0290-27-254	2	T=2.2MM	
27 255		PINION, DIFFERENTIAL	M025-27-255B	2		
27 256		WASHER, THRUST	M025-27-256	2	T=2MM	
27 261		SHAFT, DIFFERENTIAL PINION	M025-27-261A	1		
27 262		PIN	0114-27-262	1		
27 270		YOKE, DIFFERENTIAL	M055-27-270	2		
27 301A		SCREW, ADJUST	0290-27-301	2		
27 302		PLATE, LOCK	0290-27-302	2		
27 305		BEARING	0221-27-350	2		
27 401		SPACER	0223-27-401A	1	T=3.08MM	
			0223-27-402A	1	T=3.11MM	
			0223-27-403A	1	T=3.14MM	
			0223-27-404A	1	T=3.17MM	
			0223-27-405A	1	T=3.2MM	
			0223-27-406A	1	T=3.23MM	

2710-2

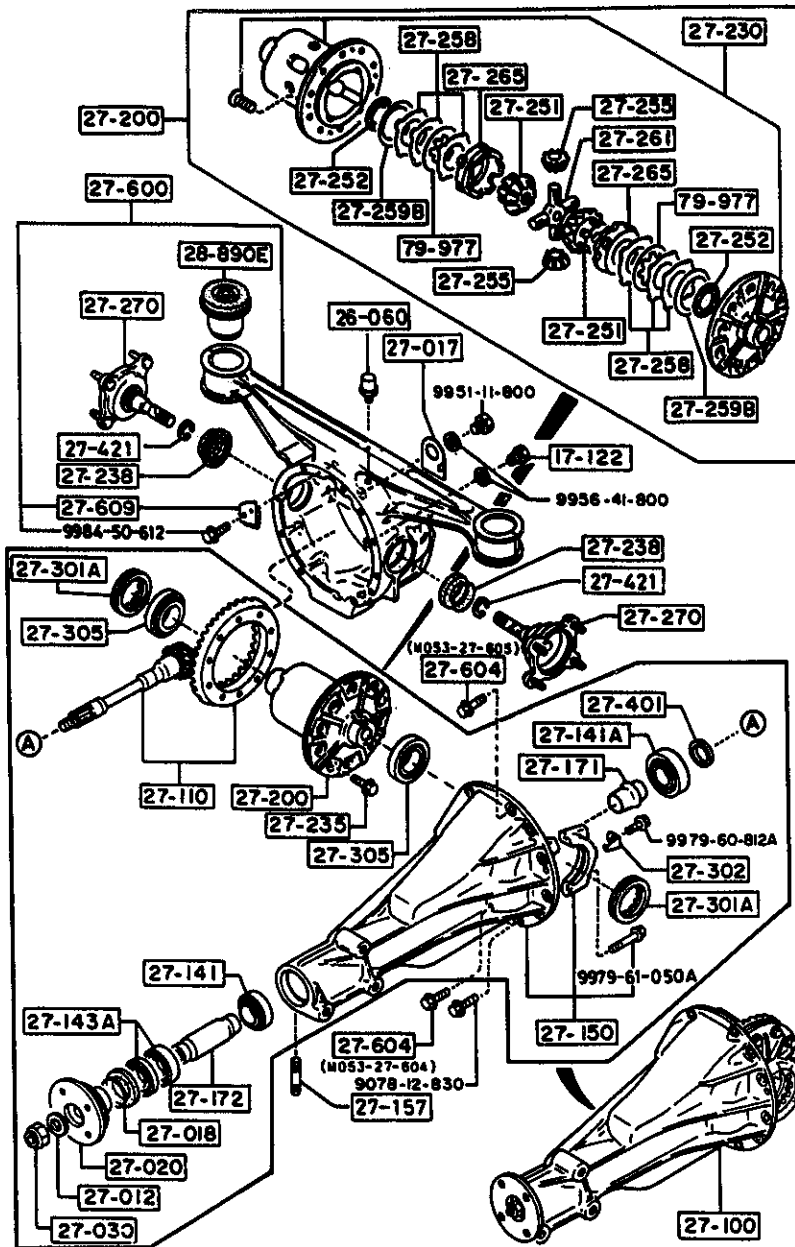
REAR DIFFERENTIALS
(W/O TURBO)(NORMAL DIFFERENTIAL)



VEHICLE RESTRICTION			
BODY TYPE	HARD SUSP.	A. A. SUSP.	DISC WHEEL
COUPE	-	-	4 HOLES-14"
	x	-	5 HOLES-15"/16"
	x	x	5 HOLES-15"/16"
CONVERTIBLE	-	-	5 HOLES-15"

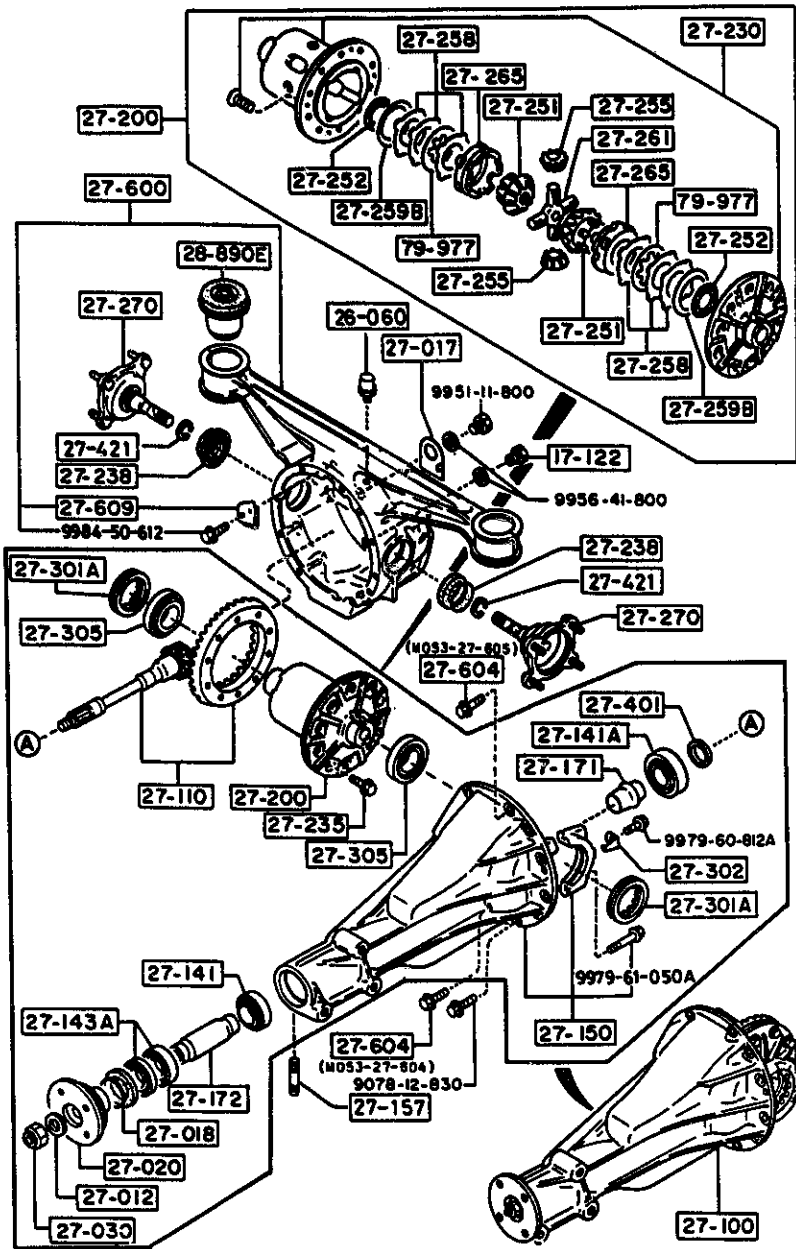
ITEM NO.	D-CODE	DESCRIPTION	PART NO.	QTY	MODEL/DESCRIPTION	REMARKS
27 401	(CONT'D)		0223-27-407A	1	T=3.26MM	
			0223-27-408A	1	T=3.29MM	
			0223-27-409A	1	T=3.32MM	
			0223-27-411A	1	T=3.35MM	
			0223-27-412A	1	T=3.38MM	
			0223-27-413A	1	T=3.41MM	
			0223-27-414A	1	T=3.44MM	
			0223-27-415A	1	T=3.47MM	
27 421		CLIP	M005-27-421	2		
27 600		CASING, DIFFERENTIAL	M055-27-600C	1		
27 604		BOLT, CARRIER	M053-27-604	1		
			M053-27-605	1		
27 609		PLATE, BAFFLE-DIFFERENTIAL CASING	M055-27-609	1		
28 890E		RUBBER, MOUNTING-DIFFERENTIAL CASING	FB01-28-890C	2		

**2710A-1 REAR DIFFERENTIALS
(W/O TURBO)(LIMITED-SLIP DIFFERENTIAL)**



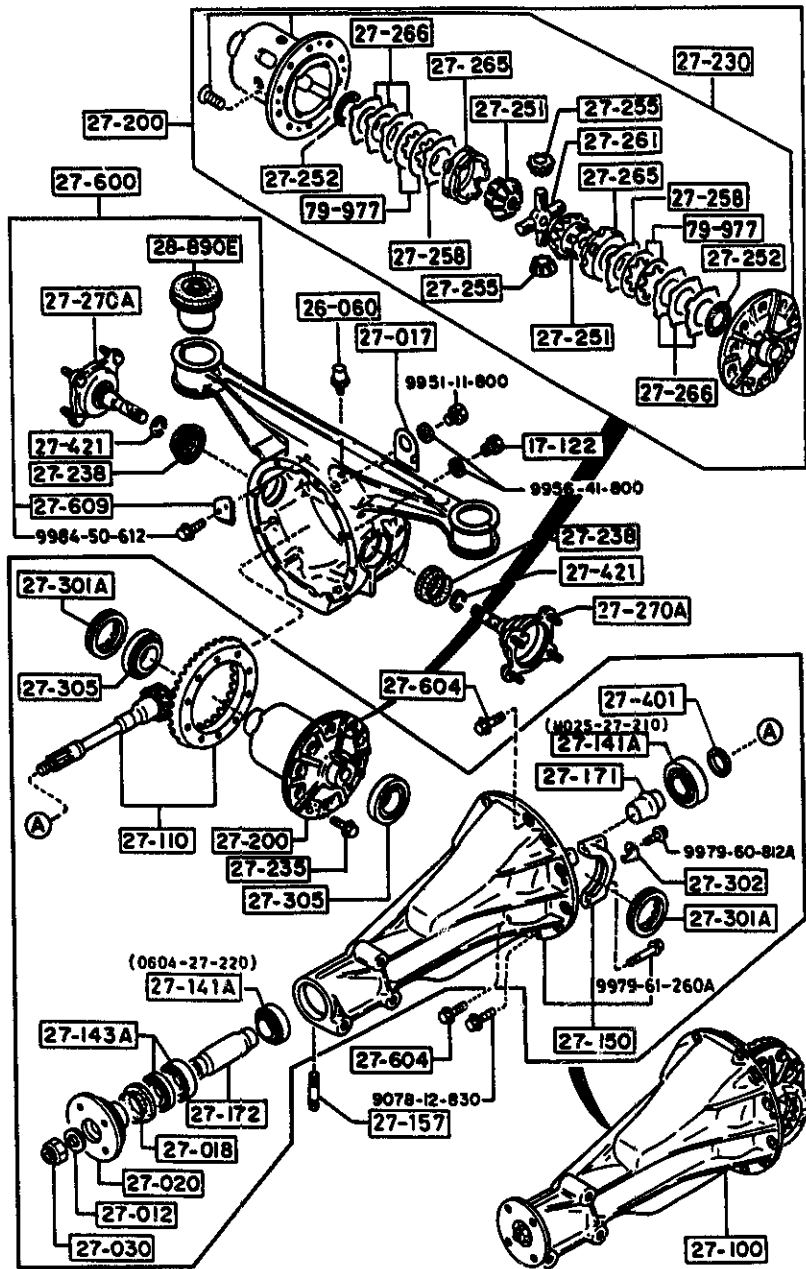
ITEM NO.	D-CODE	DESCRIPTION	PART NO.	QTY	MODEL/DESCRIPTION	REMARKS
17	122	PLUG, MAGNET	0810-17-121	1		
26	060	BREATHER	0730-26-060	1		
27	012	WASHER	0223-27-012	1		
27	017	PLATE, CAUTION-DIFFERENTIAL	M055-27-017	1		
27	018	SEAL, OIL	M055-27-165	1		
27	020	FLANGE, COMPANION	M055-27-120E	1		
27	030	NUT, LOCK	0223-27-030	1		
27	100	DRIVE & DIFFERENTIAL	M068-27-100E	1	A/T	
			M095-27-100F	1	M/T	
27	110	GEAR SET, FINAL	M055-27-110A	1	M/T	
			M067-27-110A	1	A/T	
27	141	BEARING, PINION	0755-27-210	1		
27	141A	BEARING, PINION	M025-27-210	1		
27	143A	BEARING, BALL-DRIVE PINION	M055-27-143	2		
27	150	CARRIER, DIFFERENTIAL	M055-27-150B	1		
27	157	STUD, DIFFERENTIAL CARRIER	P090-27-157	3		
27	171	PIECE, DISTANCE	M035-27-171	1		
27	172	COLLAR, LONG-DRIVE & DIFFERENTIAL	M055-27-172B	1		
27	200	DIFFERENTIAL	M081-27-200	1		
27	230	CASE	M081-27-230	1		
27	235	BOLT, RING GEAR	8051-27-235	10	D=10MM	
			8051-27-236	10	D=10.2MM	
27	238	SEAL, OIL	F003-27-238	2		
27	251	GEAR, DIFFERENTIAL SIDE	M080-27-251	2		
27	252	WASHER	M020-27-252	2	T=1.6MM	
			M020-27-253	2	T=1.8MM	
27	255	PINION, DIFFERENTIAL	M020-27-255	4		
27	258	PLATE, FRICTION	M020-27-258	6		
27	259B	SPRING, CONICAL	M020-27-259	2		
27	261	SHAFT, DIFFERENTIAL PINION	M020-27-261	1		
27	265	RING, PRESSURE	M020-27-265	2		
27	270	YOKE, DIFFERENTIAL	M055-27-270	2		
27	301A	SCREW, ADJUST	0290-27-301	2		
27	302	PLATE, LOCK	0290-27-302	2		
27	305	BEARING	0221-27-350	2		
27	401	SPACER	0223-27-401A	1	T=3.08MM	
			0223-27-402A	1	T=3.11MM	
			0223-27-403A	1	T=3.14MM	
			0223-27-404A	1	T=3.17MM	
			0223-27-405A	1	T=3.2MM	
			0223-27-406A	1	T=3.23MM	

**2710A-2 REAR DIFFERENTIALS
(W/O TURBO)(LIMITED-SLIP DIFFERENTIAL)**



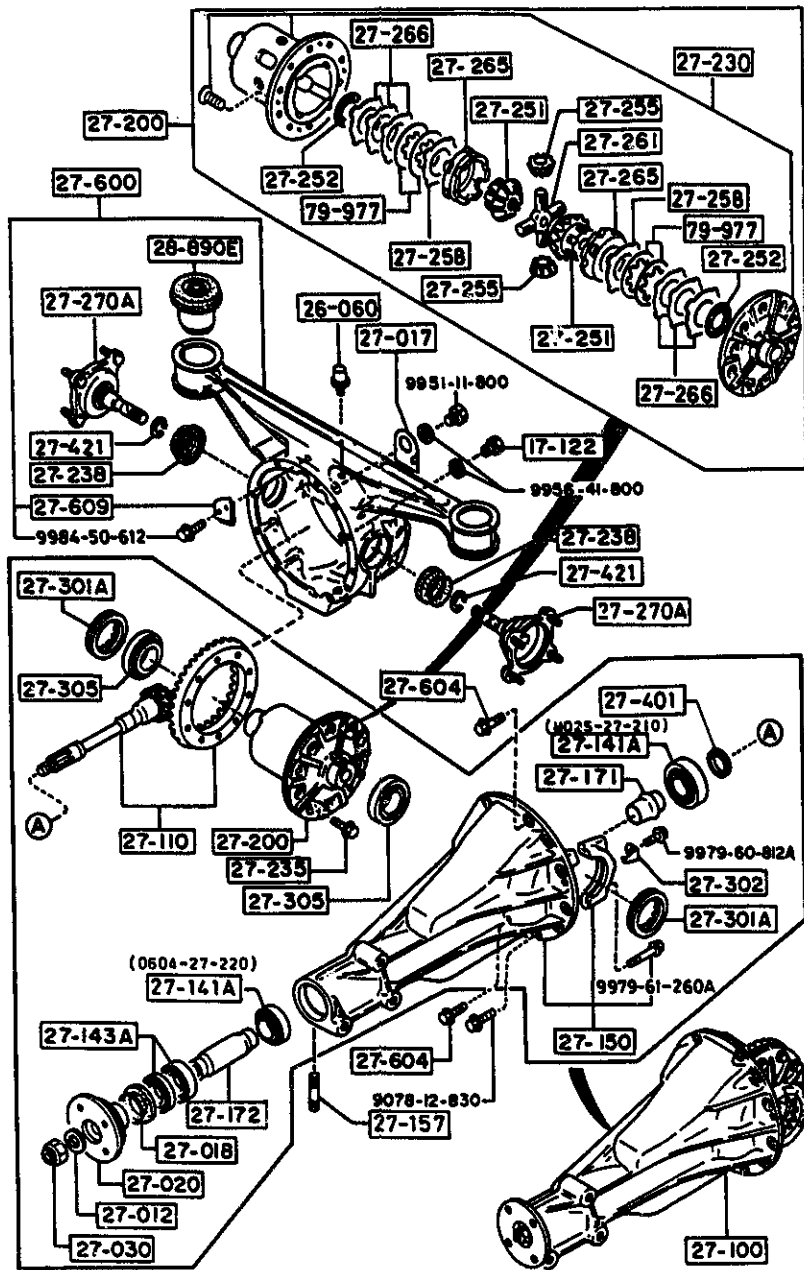
ITEM NO.	D-CODE	DESCRIPTION	PART NO.	QTY	MODEL/DESCRIPTION	REMARKS	
27 401 (CONT'D)			0223-27-407A	1	T=3.26MM		
			0223-27-408A	1	T=3.29MM		
			0223-27-409A	1	T=3.32MM		
			0223-27-411A	1	T=3.35MM		
			0223-27-412A	1	T=3.38MM		
			0223-27-413A	1	T=3.41MM		
			0223-27-414A	1	T=3.44MM		
			0223-27-415A	1	T=3.47MM		
	27 421		CLIP	M005-27-421	2		
	27 600		CASING, DIFFERENTIAL	M055-27-600C	1		
27 604		BOLT, CARRIER	M053-27-604	1			
			M053-27-605	1			
27 609		PLATE, BAFFLE-DIFFERENTIAL CASING	M055-27-609	1			
28 890E		RUBBER, MOUNTING-DIFFERENTIAL CASING	FB01-28-890C	2			
79 977		DISC, FRICTION	M020-27-256	2	T=2MM		
			M020-27-257	2	T=2.1MM		

**2710C-1 REAR DIFFERENTIALS
(TURBO)(LIMITED-SLIP DIFFERENTIAL)**



ITEM NO.	D-CODE	DESCRIPTION	PART NO.	QTY	MODEL/DESCRIPTION	REMARKS
17	122	PLUG, MAGNET	0810-17-121	1		
26	060	BREATHER	0730-26-060	1		
27	012	WASHER	0223-27-012	1		
27	017	PLATE, CAUTION-DIFFERENTIAL	M055-27-017	1		
27	018	SEAL, OIL	P090-27-165	1		
27	020	FLANGE, COMPANION	P016-27-120F	1		
27	030	NUT, LOCK	0223-27-030	1		
27	100	DRIVE & DIFFERENTIAL	P090-27-100G	1		
27	110	GEAR SET, FINAL	P012-27-110A	1		
27	141A	BEARING, PINION	M025-27-210	1		
			0604-27-220	1		
27	143A	BEARING, BALL-DRIVE PINION	P016-27-143	2		
27	150	CARRIER, DIFFERENTIAL	P016-27-150A	1		
27	157	STUD, DIFFERENTIAL CARRIER	P090-27-157	3		
27	171	PIECE, DISTANCE	0305-27-171	1		
27	172	COLLAR, LONG-DRIVE & DIFFERENTIAL	P016-27-172A	1		
27	200	DIFFERENTIAL	P090-27-200B	1		
27	230	CASE	P090-27-230A	1		
27	235	BOLT, RING GEAR	8051-27-235	10	D=10MM	
			8051-27-236	10	D=10.2MM	
27	238	SEAL, OIL	P016-27-238	2		
27	251	GEAR, DIFFERENTIAL SIDE	P090-27-251	2		
27	252	WASHER	0578-27-252	2	T=1.5MM	
			0578-27-253	2	T=1.6MM	
			0578-27-254	2	T=1.7MM	
27	255	PINION, DIFFERENTIAL	P020-27-255	4		
27	258	PLATE, FRICTION	P020-27-258	2		
27	261	SHAFT, DIFFERENTIAL PINION	P090-27-261	1		
27	265	RING, PRESSURE	P020-27-265	2		
27	266	SEAT, PINION-DIFFERENTIAL	P020-27-266	6		
27	270A	SHAFT, OUTPUT	P016-27-270A	2		
27	301A	SCREW, ADJUST	0110-27-301	2		
27	302	PLATE, LOCK	0578-27-302	2		
27	305	BEARING	0118-27-350A	2		
27	401	SPACER	0223-27-401A	1	T=3.08MM	
			0223-27-402A	1	T=3.11MM	
			0223-27-403A	1	T=3.14MM	
			0223-27-404A	1	T=3.17MM	
			0223-27-405A	1	T=3.2MM	
			0223-27-406A	1	T=3.23MM	
			0223-27-407A	1	T=3.26MM	

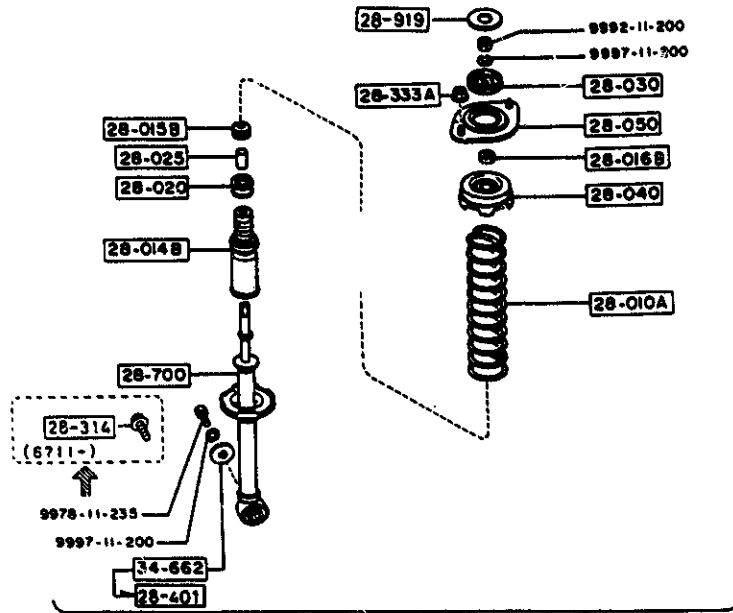
**2710C-2 REAR DIFFERENTIALS
(TURBO)(LIMITED-SLIP DIFFERENTIAL)**



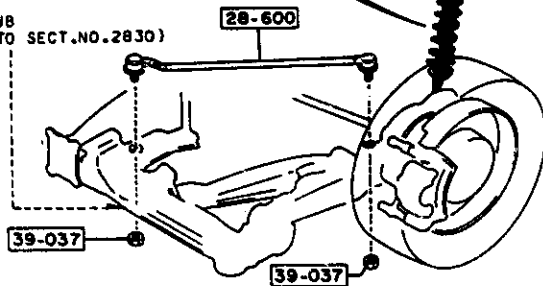
ITEM NO.	D-CODE	DESCRIPTION	PART NO.	QTY	MODEL/DESCRIPTION	REMARKS
27 401 (CONT'D)			0223-27-408A	1	T=3.29MM	
			0223-27-409A	1	T=3.32MM	
			0223-27-411A	1	T=3.35MM	
			0223-27-412A	1	T=3.38MM	
			0223-27-413A	1	T=3.41MM	
			0223-27-414A	1	T=3.44MM	
			0223-27-415A	1	T=3.47MM	
27 421		CLIP	P016-27-421	2		
27 600		CASING, DIFFERENTIAL	P016-27-600B	1		
27 604		BOLT, CARRIER	M053-27-605	2		
27 609		PLATE, BAFFLE-DIFFERENTIAL CASING	M055-27-609	1		
28 890E		RUBBER, MOUNTING-DIFFERENTIAL CASING	FB01-28-890C	2		
79 977		DISC, FRICTION	P020-27-256	4	T=1.75MM	
			P020-27-257	4	T=1.85MM	

2800-1

REAR SUSPENSION MECHANISMS (W/O TURBO)
(W/O AUTOMATIC ADJUSTING SUSPENSION)



FRAME, SUB
(REFER TO SECT. NO. 2830)



VEHICLE RESTRICTION			
BODY TYPE	HARD SUSP.	A. A. SUSP.	DISC WHEEL
COUPE	-	-	4 HOLES-14"
	x	-	5 HOLES-15"/16"
	x	x	
CONVERTIBLE	-	-	5 HOLES-15"

ITEM NO.	D-CODE	DESCRIPTION	PART NO.	QTY	MODEL/DESCRIPTION	REMARKS
28 010A		SPRING, COIL-REAR	FB01-28-011A	2	COUPE, NORMAL SUSPENSION	6701-
			FB67-28-011A	2	CONVERTIBLE, NORMAL SUSPENSION	
28 014B		RUBBER, STOPPER-REAR DAMPER	FB01-28-011A	2	HARD SUSPENSION	-6701
			FB01-28-014	2		
28 015B		BUSHING, RUBBER-REAR DAMPER	F044-28-015	2		
28 016B		BUSHING, RUBBER-REAR DAMPER	F044-28-013	2		
28 020		PLATE SET, REAR DAMPER	FB01-28-020	2		
28 025		SPACER, REAR DAMPER	FB01-28-025	2		
28 030		STOPPER, REAR DAMPER	FB01-28-030A	2		
28 040		SHEET, SPRING-REAR DAMPER	FB01-28-040	2		
28 050		PLATE, MOUNTING-REAR DAMPER	FB01-28-050	2		
28 314		BOLT 'B', LINK	H260-34-037A	2		6711-
28 333A		NUT, FLANGE	H001-28-333	4		
28 401		WASHER	FB01-28-401	2		6801-
28 600		LIN', LATERAL	FB01-28-200	2		
28 700		DAMPER, REAR	FB44-28-700C	2	CONVERTIBLE, NORMAL SUSPENSION	
			FB01-28-700E	2	COUPE, NORMAL SUSPENSION	
			FB43-28-700F	2	HARD SUSPENSION	
34 662		WASHER	H001-28-401	2		-6801
39 037		NUT	B001-39-037B	4		

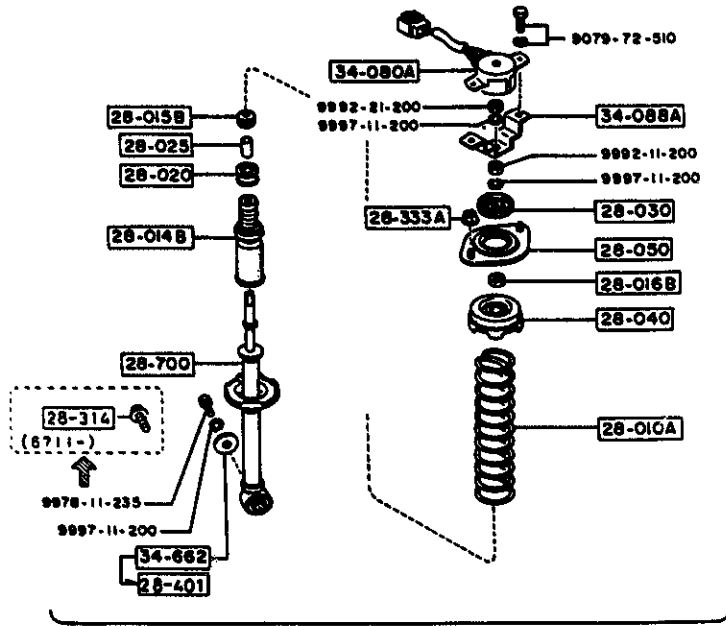
6701 FC33* -500010
6711 FC33* -502690
6801 FC33* -522333

SECTION INDEX -- CHASSIS

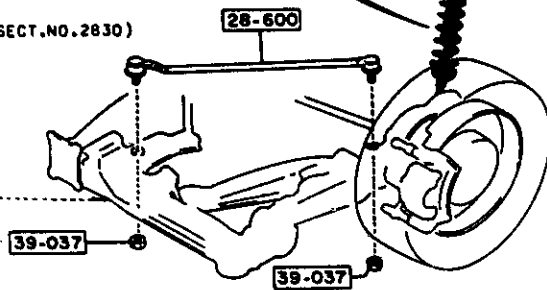
STARTING LOCATION	SECT. NO.	SECTION NAME	STARTING LOCATION	SECT. NO.	SECTION NAME	STARTING LOCATION	SECT. NO.	SECTION NAME
1 - C11	2500	DRIVESHAFT	1 - K14	3900BA	ENGINE & TRANSMISSION MOUNTINGS (TURBO)			
1 - D11	2550	REAR DRIVESHAFTS	1 - L14	4000B	EXHAUST SYSTEM (W/O TURBO)			
1 - E11	2600	REAR AXLE	1 - C15	4000BA	EXHAUST SYSTEM (TURBO)			
1 - F11	2610	REAR BRAKE MECHANISMS	1 - E15	4140B	CLUTCH RELEASE & MASTER CYLINDERS (MANUAL TRANSMISSION)			
1 - H11	2710	REAR DIFFERENTIALS (W/O TURBO)(NORMAL DIFFERENTIAL)	1 - F15	4160	ACCELERATOR CONTROL SYSTEM			
1 - J11	2710A	REAR DIFFERENTIALS (W/O TURBO)(LIMITED-SLIP DIFFERENTIAL)	1 - G15	4200	FUEL TANK			
1 - L11	2710C	REAR DIFFERENTIALS (TURBO)(LIMITED-SLIP DIFFERENTIAL)	1 - H15	4300	CLUTCH & BRAKE PEDALS			
1 - N11	2800	REAR SUSPENSION MECHANISMS (W/O TURBO) (W/O AUTOMATIC ADJUSTING SUSPENSION)	1 - J15	4340	BRAKE MASTER CYLINDER & POWER BRAKE (W/O ANTI-LOCK BRAKE SYSTEM)			
1 - C12	2800A	REAR SUSPENSION MECHANISMS (W/O TURBO) (FOR AUTOMATIC ADJUSTING SUSPENSION)	1 - L15	4340A	BRAKE MASTER CYLINDER & POWER BRAKE (ANTI-LOCK BRAKE SYSTEM)			
1 - D12	2800B	REAR SUSPENSION MECHANISMS (TURBO)	1 - N15	4360	BRAKE PIPINGS (W/O ANTI-LOCK BRAKE SYSTEM)			
1 - E12	2810	REAR STABILIZER	1 - C16	4360A	BRAKE PIPINGS (ANTI-LOCK BRAKE SYSTEM)			
1 - F12	2830	REAR LOWER ARMS & SUB-FRAME	1 - D16	4370	ANTI-LOCK BRAKE SYSTEMS			
1 - H12	3200	STEERING WHEEL	1 - F16	4400	PARKING BRAKE SYSTEM			
1 - I12	3210	STEERING COLUMN & SHAFTS	1 - G16	4500B	FUEL PIPINGS (W/O ANTI-LOCK BRAKE SYSTEM)			
1 - J12	3210A	STEERING COLUMN & SHAFTS (W/ POWER STEERING)	1 - H16	4500BA	FUEL PIPINGS (ANTI-LOCK BRAKE SYSTEM)			
1 - K12	3220	STEERING GEAR (W/O POWER STEERING)	1 - I16	4600	CHANGE CONTROL SYSTEM (AUTOMATIC TRANSMISSION)			
1 - L12	3220A	STEERING GEAR (W/ POWER STEERING)						
1 - M12	3230	STEERING LINKAGE SYSTEM						
1 - C13	3240	POWER STEERING SYSTEM						
1 - E13	3300	FRONT AXLE & BRAKE MECHANISMS (FOR NORMAL SUSPENSION)						
1 - I13	3300A	FRONT AXLE & BRAKE MECHANISMS (FOR HARD SUSPENSION) (W/O ANTI-LOCK BRAKE SYSTEM)						
1 - K13	3300B	FRONT AXLE & BRAKE MECHANISMS (FOR HARD SUSPENSION) (ANTI-LOCK BRAKE SYSTEM)						
1 - M13	3400	FRONT SUSPENSION MECHANISMS (W/O TURBO) (W/O AUTOMATIC ADJUSTING SUSPENSION)						
1 - N13	3400A	FRONT SUSPENSION MECHANISMS (W/O TURBO) (FOR AUTOMATIC ADJUSTING SUSPENSION)						
1 - C14	3400B	FRONT SUSPENSION MECHANISMS (TURBO)						
1 - D14	3410	CROSSMEMBER & STABILIZER						
1 - E14	3700	TIRES & JACK (W/O TURBO)						
1 - H14	3700A	TIRES & JACK (TURBO)						
1 - J14	3900B	ENGINE & TRANSMISSION MOUNTINGS (W/O TURBO)						

2800A-1

REAR SUSPENSION MECHANISMS (W/O TURBO)
(FOR AUTOMATIC ADJUSTING SUSPENSION)



FRAME, SUB
(REFER TO SECT. NO. 2830)

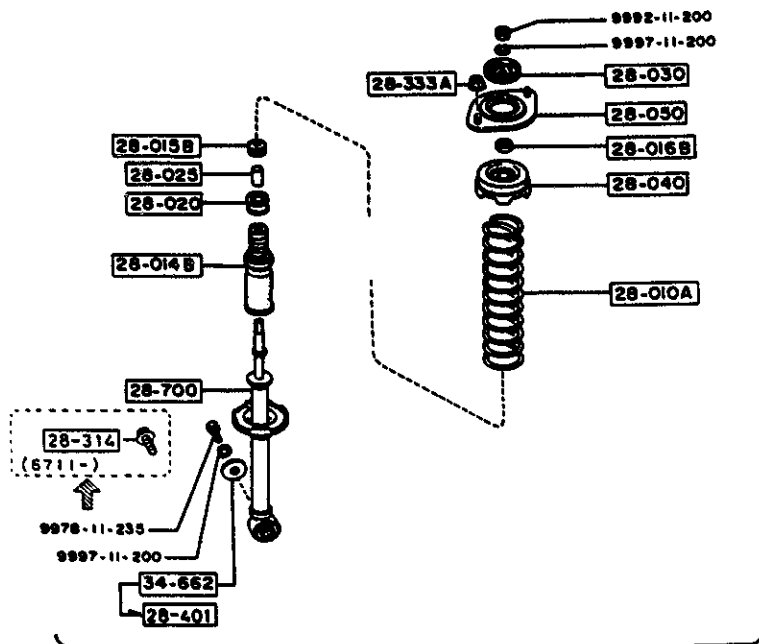


VEHICLE RESTRICTION			
BODY TYPE	HARD SUSP.	A. A. SUSP.	DISC WHEEL
COUPE	-	-	4 HOLES-14"
	x	-	5 HOLES-15"/16"
	x	x	5 HOLES-15"/16"
CONVERTIBLE	-	-	5 HOLES-15"

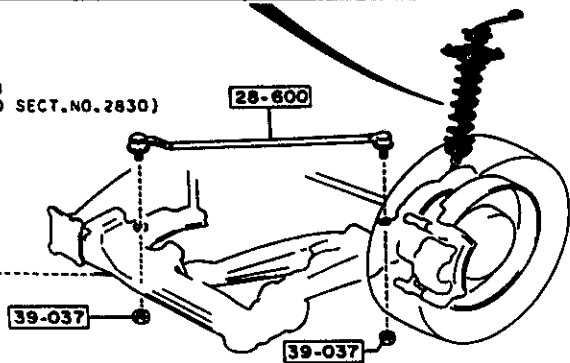
ITEM NO.	D-CODE	DESCRIPTION	PART NO.	QTY	MODEL/DESCRIPTION	REMARKS
28 010A		SPRING, COIL-REAR	FB01-28-011A	2		
28 014B		RUBBER, STOPPER-REAR DAMPER	FB01-28-014	2		
28 015B		BUSHING, RUBBER-REAR DAMPER	F044-28-015	2		
28 016B		BUSHING, RUBBER-REAR DAMPER	F044-28-013	2		
28 020		PLATE SET, REAR DAMPER	FB01-28-020	2		
28 025		SPACER, REAR DAMPER	FB01-28-025	2		
28 030		STOPPER, REAR DAMPER	FB01-28-030A	2		
28 040		SHEET, SPRING-REAR DAMPER	FB01-28-040	2		
28 050		PLATE, MOUNTING-REAR DAMPER	FB01-28-050	2		
28 314		BOLT 'B', LINK	H260-34-037A	2		6711-
28 333A		NUT, FLANGE	H001-28-333	4		6801-
28 401		WASHER	FB01-28-401	2		
28 600		LINK, LATERAL	FB01-28-200A	2		
28 700		DAMPER, REAR	FB52-28-700C	2		
34 080A		ACTUATOR, REAR DAMPER	FB07-28-080B	2		
34 088A		PLATE	H126-28-088	2		
34 662		WASHER	H001-28-401	2		-6801
39 037		NUT	B001-39-037B	4		

6711 FC33* -502690
6801 FC33* -522353

2800B-1 REAR SUSPENSION MECHANISMS (TURBO)



FRAME, SUB
(REFER TO SECT. NO. 2830)

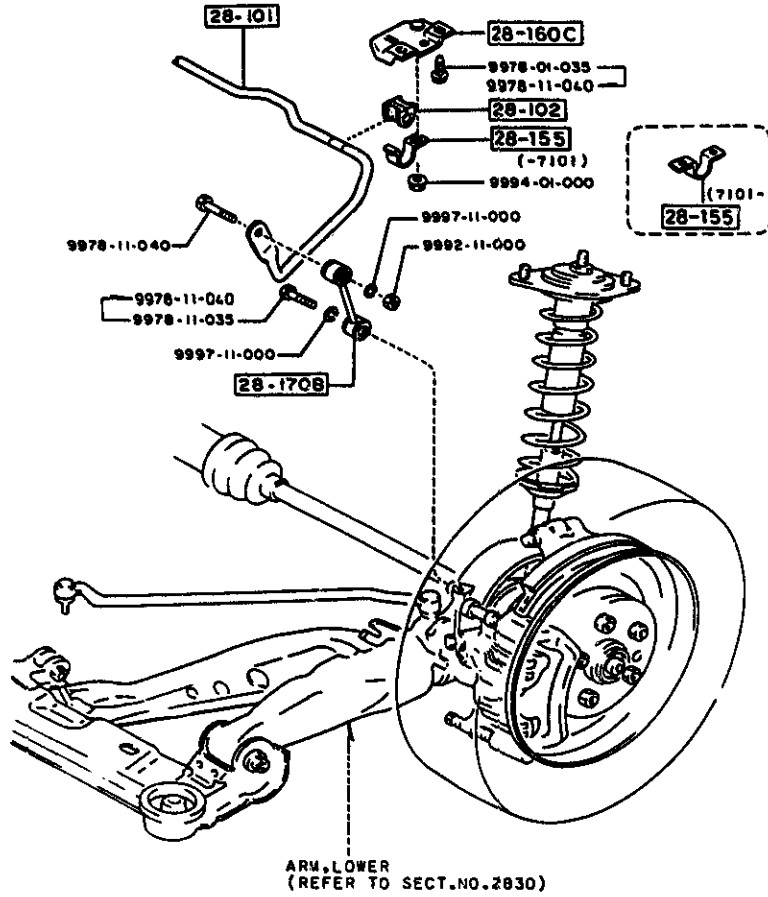


VEHICLE RESTRICTION			
BODY TYPE	HARD SUSP.	A. A. SUSP.	DISC WHEEL
COUPE	-	-	4 HOLES-14"
	x	-	5 HOLES-15"/16"
	x	x	
CONVERTIBLE	-	-	5 HOLES-15"

ITEM NO.	D-CODE	DESCRIPTION	PART NO.	QTY	MODEL/DESCRIPTION	REMARKS
28 010A		SPRING, COIL-REAR	FB01-28-011A	2		
28 014B		RUBBER, STOPPER-REAR DAMPER	FB01-28-014	2		
28 015B		BUSHING, RUBBER-REAR DAMPER	F044-28-015	2		
28 016B		BUSHING, RUBBER-REAR DAMPER	F044-28-013	2		
28 020		PLATE SET, REAR DAMPER	FB01-28-020	2		
28 025		SPACER, REAR DAMPER	FB01-28-025	2		
28 030		STOPPER, REAR DAMPER	FB01-28-030A	2		
28 040		SHEET, SPRING-REAR DAMPER	FB01-28-040	2		
28 050		PLATE, MOUNTING-REAR DAMPER	FB01-28-050	2		
28 314		BOLT 'B', LINK	H260-34-037A	2		6711-
28 333A		NUT, FLANGE	H001-28-333	4		
28 401		WASHER	FB01-28-401	2		6B01-
28 600		LINK, LATERAL	FB01-28-200	2		
28 700		DAMPER, REAR	FB44-28-700C	2		
34 662		WASHER	H001-28-401	2		-6B01
39 037		NUT	B001-39-037B	4		

6711 FC33* -502690
6B01 FC33* -522333

2810-1 REAR STABILIZER

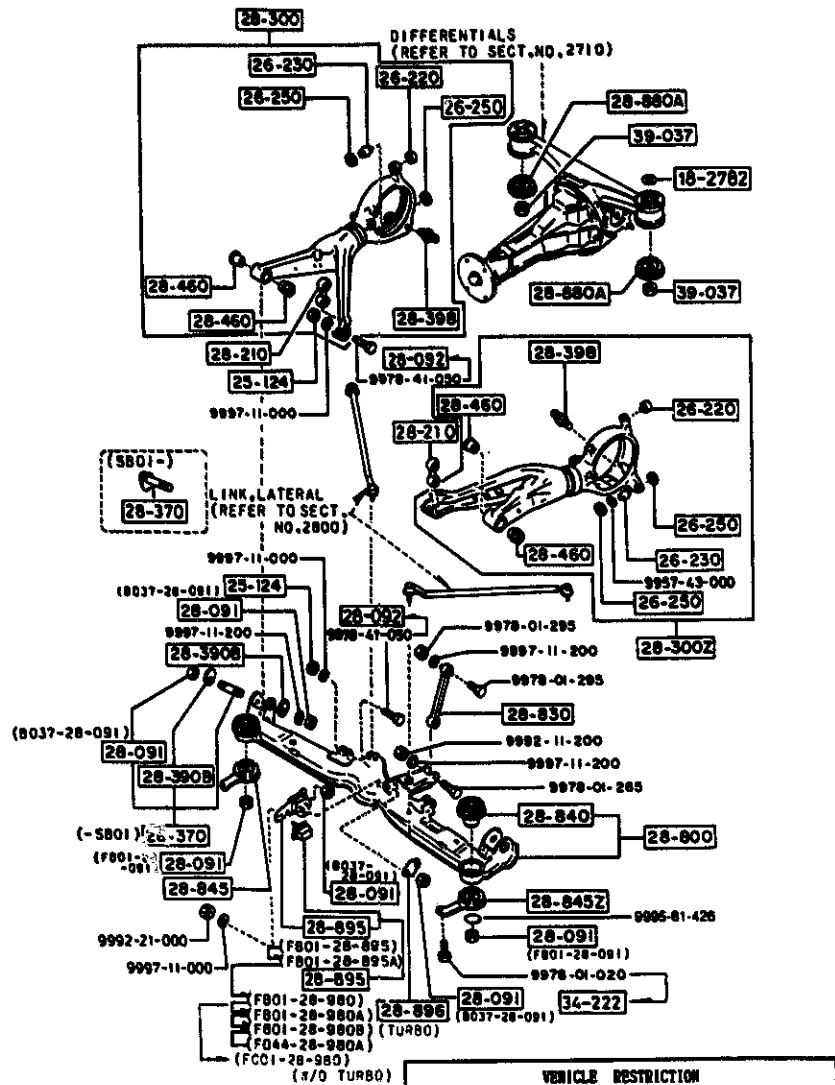


VEHICLE RESTRICTION			
BODY TYPE	HARD SUSP.	A. A. SUSP.	DISC WHEEL
COUPE	-	-	4 HOLES-14"
	x	-	5 HOLES-15"/16"
	x	x	5 HOLES-15"/16"
CONVERTIBLE	-	-	5 HOLES-15"

ITEM NO.	D-CODE	DESCRIPTION	PART NO.	QTY	MODEL/DESCRIPTION	REMARKS
28 101		STABILIZER, REAR	FB01-28-151B FB43-28-151C	1	NORMAL SUSPENSION HARD SUSPENSION	
28 102		BUSHING, STABILIZER-REAR	FB01-28-156 FB43-28-156A	2	NORMAL SUSPENSION HARD SUSPENSION	
28 103		PLATE, STABILIZER	G030-28-155 FB01-28-155	2		-7101
28 155		BRACKET, STABILIZER SUPPORT	FB01-28-160 FB01-28-160A	2		-7101
			< C >			
28 170B		LINK, CONTROL-STABILIZER	FB01-28-170B	2	REQUIRES FB01-28-155 - BRACKET	7101-

7101 FC33* -528625

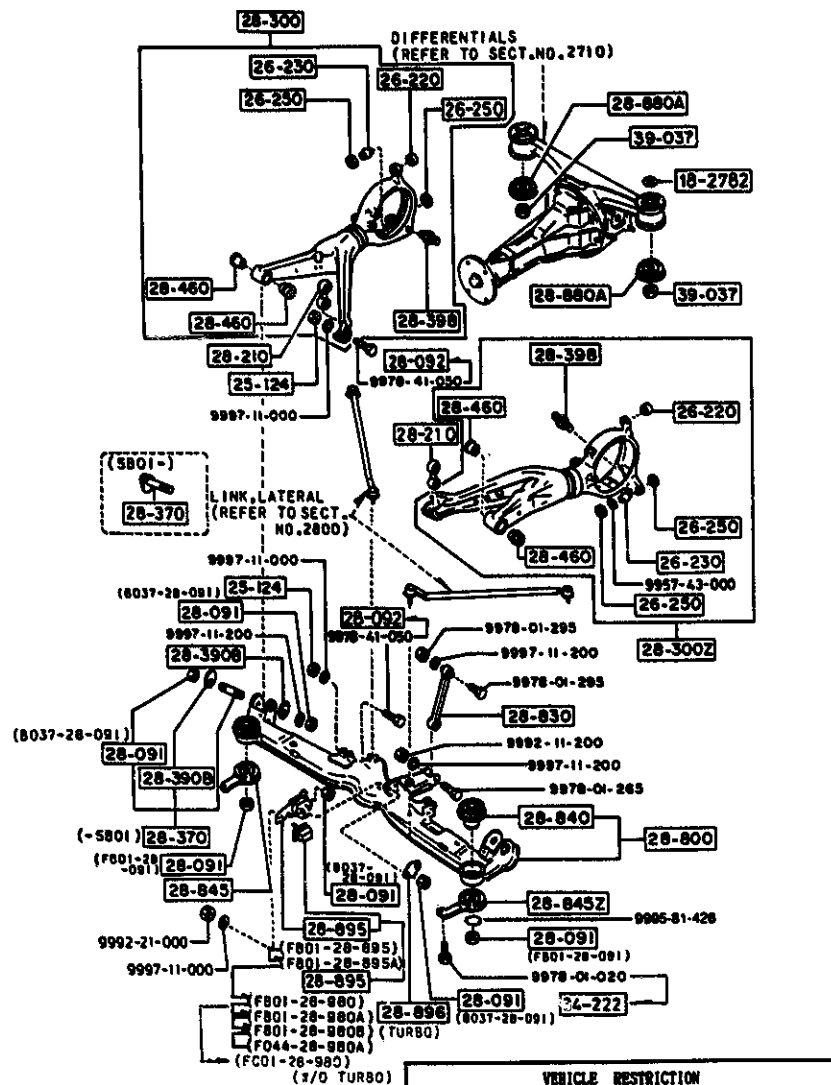
2830-1 REAR LOWER ARMS & SUB-FRAME



ITEM NO.	D-CODE	DESCRIPTION	PART NO.	QTY	MODEL/DESCRIPTION	REMARKS
25 124		NUT	1368-25-124	4		
26 220		BUSHING, RUBBER-REAR LOWER ARM	FB01-26-220	2		
26 230		BALL, PILLOW-REAR LOWER ARM	FB01-26-230	2		
26 250		RUBBER, SEAL-REAR LOWER ARM	FB01-26-250	4		
28 091		NUT	FB01-28-091	2		
			8037-28-091	9		-5801
				7		5801-
				4		6501-
28 092		BOLT, CONTROL LINK	FB01-28-092	4		
28 210		LINK, CONTROL-LOWER ARM	FB01-28-210B	2		
			< AN >	2		
28 300		ARM (R), LOWER	FB43-28-300B	1		
28 300Z		ARM (L), LOWER	FB43-28-350D	1		
28 370		BOLT, ADJUST	FB01-28-470A	2		
28 390B		PLATE, CAM	FB01-28-473	4		-5801
				2		5801-
28 398		BOLT, DAMPER-REAR	F044-28-398A	2		
28 460		BUSHING, LOWER ARM	FB01-28-460	4		
28 800		FRAME, SUB	FB43-28-800G	1		
28 830		LINK, SUB-LOWER ARM	FF01-28-830	1		
28 840		RUBBER, SUB-FRAME	FB43-28-840	2		
28 845		WASHER (R), STOP-LOWER ARM	FB43-28-845B	1	W/ A.A.S.	6301-
				1	W/O A.A.S.	7108-
			FB01-28-845A	1	NORMAL SUSPENSION	-5801
			< A >	1	HARD SUSPENSION W/O A.A.S.	-7108
				1	HARD SUSPENSION W/ A.A.S.	-6301
				1	NORMAL SUSPENSION	5801-7108
28 845Z		WASHER (L), STOP-LOWER ARM	FB43-28-855B	1	W/ A.A.S.	6301-
				1	W/O A.A.S.	7108-
			FB43-28-855A	1	NORMAL SUSPENSION	-5801
				1	HARD SUSPENSION W/O A.A.S.	-7108
				1	HARD SUSPENSION W/ A.A.S.	-6301
			FB43-28-855A	1	NORMAL SUSPENSION	5801-7108
28 880A		WASHER, STOP	FB01-28-880A	2		
28 895		RUBBER, MOUNTING-DIFFERENTIAL	FC01-28-980	1		
28 896		WASHER, MOUNTING RUBBER-DIFFERENTIAL	FB01-28-896	1		
34 222		NUT	8871-34-222	2		5810-

5810	FC33*	-100079
5801	FC33*	-113629
6301	FC33*	-134718
6501	FC33*	-146093
7108	FC33*	-528997

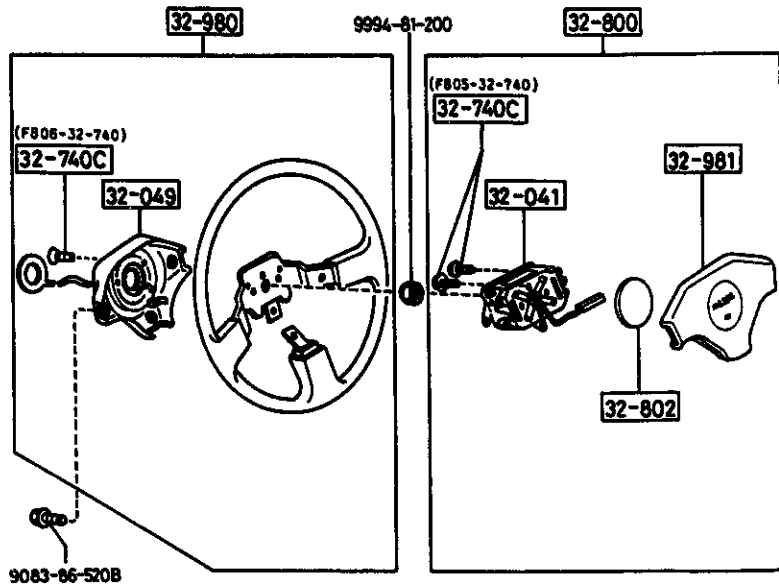
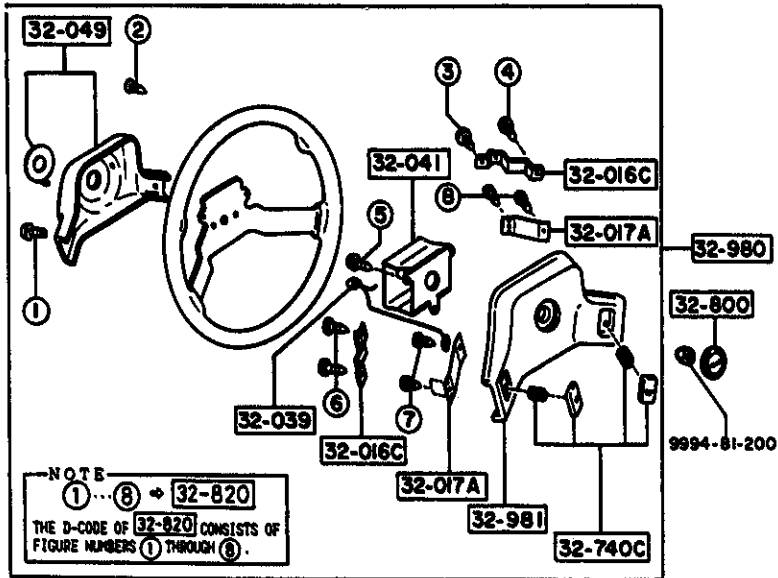
2830-2 REAR LOWER ARMS & SUB-FRAME



VEHICLE RESTRICTION			
BODY TYPE	HARD SUSP.	A. A. SUSP.	DISC WHEEL
COUPE	-	-	4 HOLES-14"
	X	-	5 HOLES-15"/16"
CONVERTIBLE	-	-	5 HOLES-15"

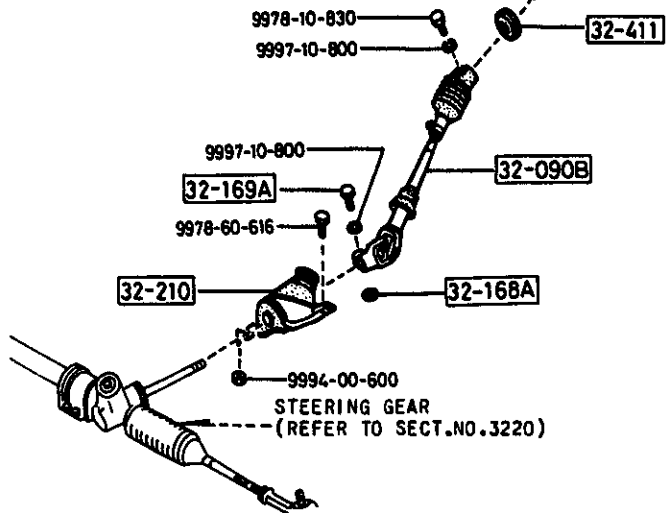
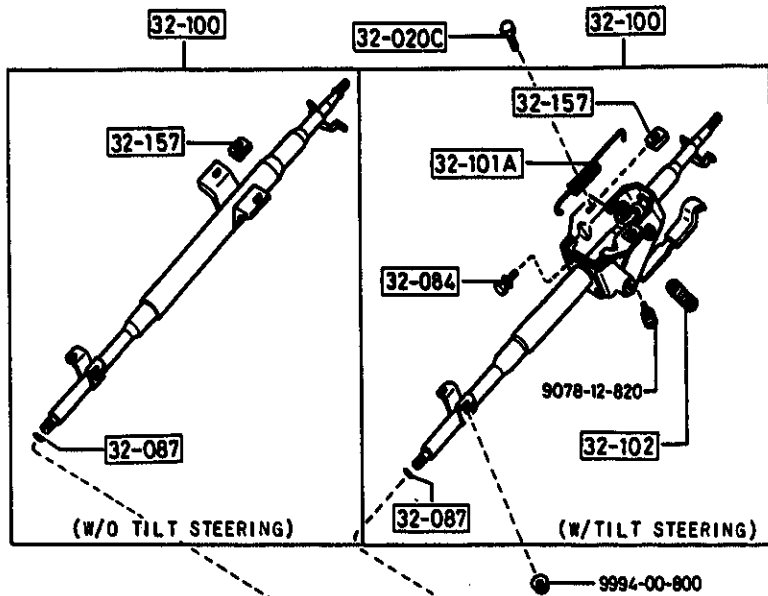
ITEM NO.	D-CODE	DESCRIPTION	PART NO.	QTY	MODEL/DESCRIPTION	REMARKS
39 037		NUT	B001-39-037B	2		

3200-1 STEERING WHEEL



ITEM NO.	D-CODE	DESCRIPTION	PART NO.	QTY	MODEL/DESCRIPTION	REMARKS
32 016C		PLATE, CONTACT	FB01-32-750	1		
32 017A		PLATE, CONTACT	FB01-32-760	1		
32 039		CORD	FB01-32-016	1		
32 041		PLATE, SET	FB01-32-986	1		
32 049		COVER, WHEEL CORE	FB01-32-049	1		
32 740C		PARTS SET, STEERING WHEEL BOSS	FB01-32-740	1		
32 800		CAP, HORN	FB05-32-800A	1		
			FB06-32-800A	1		
32 820		TERMINAL	FB01-32-981	1		
32 980		BOSS, STEERING WHEEL	FB01-32-980B	1	STD. SE, SPORT URETHANE, 2-SPOKE	
			FB03-32-980B	1	GXL, TURBO LEATHER, 2-SPOKE	
			FB06-32-980B	1	CONV. LEATHER, 3-SPOKE	
32 981		PAD, HORN	FB01-32-730	1		

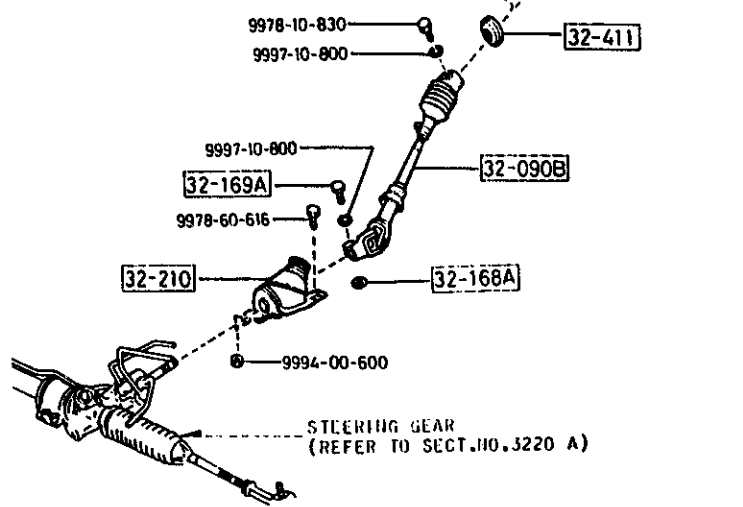
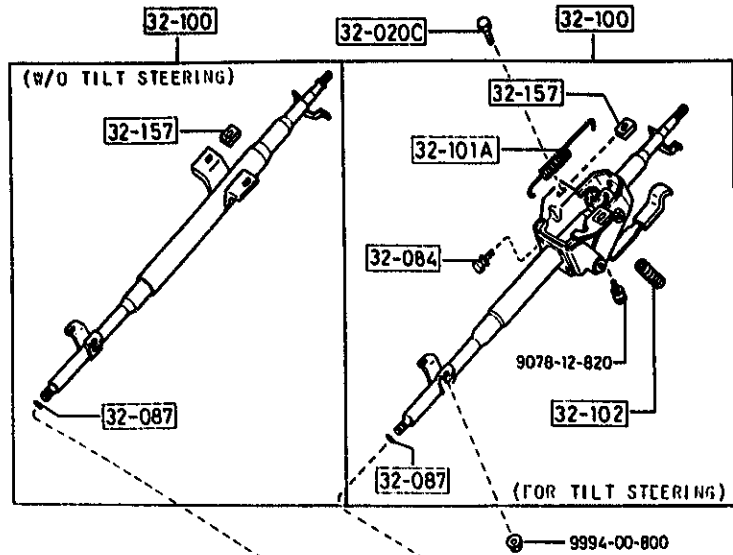
3210-1 STEERING COLUMN & SHAFTS



ITEM NO.	D-CODE	DESCRIPTION	PART NO.	QTY	MODEL/DESCRIPTION	REMARKS
32 020C		BOLT	B001-32-020	2		
32 084		BOLT	W001-32-084	4	TURBO (TILT STEERING)	
32 087		O-RING	W048-32-087	1	TURBO, (TILT STEERING)	-5925
				1	STD. (W/O TILT STEERING)	-6221
32 090B		SHAFT, INTERMEDIATE	FB02-32-090B	1		
32 100		SHAFT, ENERGY ABSORBER	FB01-32-100	1	STD. (W/O TILT STEERING)	
			FB05-32-100A	1	TURBO (TILT STEERING)	
32 101A		SPRING, BALANCE-SHAFT	FB05-32-101	1	TURBO (TILT STEERING)	
32 102		SPRING, RETURN-SHAFT	FB05-32-102	1	TURBO (TILT STEERING)	
32 157		PLATE, COATING-SHAFT	FB01-32-157	2	STD. (W/O TILT STEERING)	
			FB05-32-157	2	TURBO (TILT STEERING)	
32 168A		WASHER, STOP	FB01-32-168	1		
32 169A		BOLT	B001-32-169A	1		
32 210		COVER, STEERING SHAFT	FB01-32-210	1		
32 411		COVER, DUST	FB01-32-411A	1		

5925 FC33* -106572
6221 FC33* -133099

**3210A-1 STEERING COLUMN & SHAFTS
(W/ POWER STEERING)**

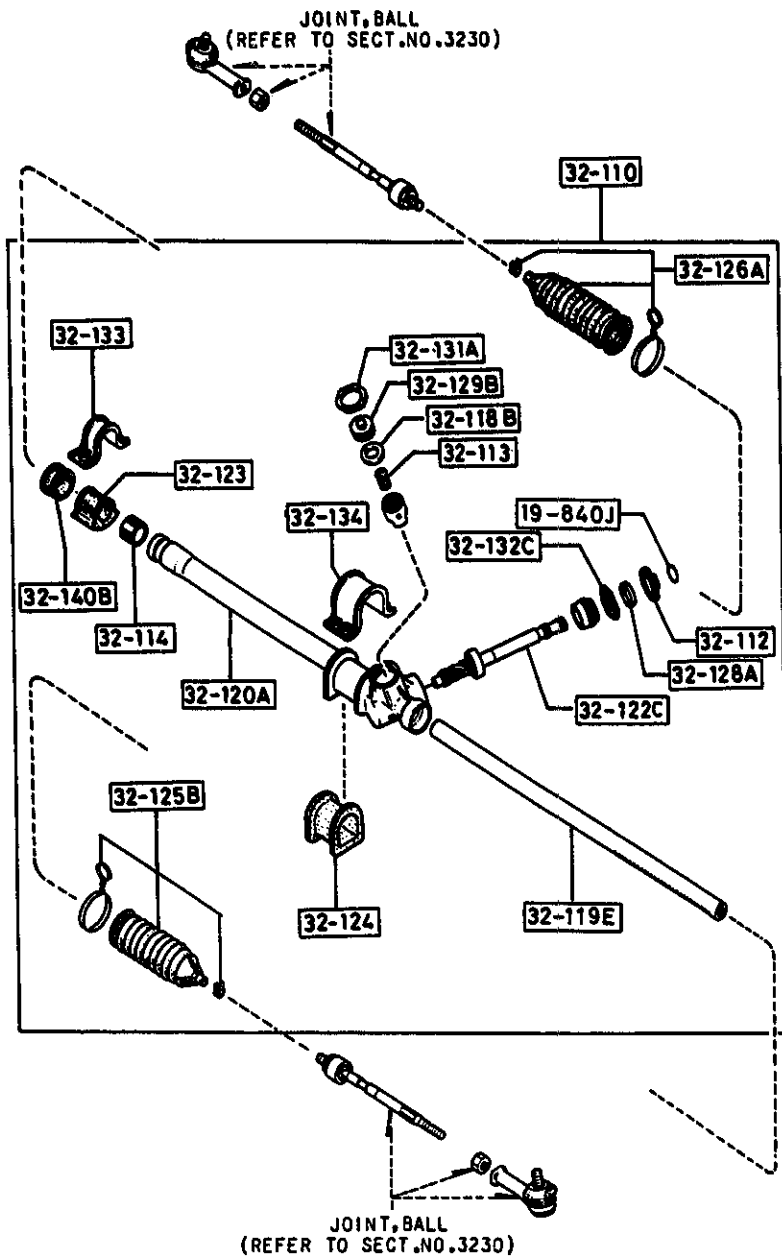


ITEM NO.	D-CODE	DESCRIPTION	PART NO.	QTY	MODEL/DESCRIPTION	REMARKS
32 020C		BOLT	B001-32-020	2		
32 084		BOLT	W001-32-084	4	(TILT STEERING)	-5925
32 087		O-RING	W048-32-087	1	(TILT STEERING)	-6221
				1	(W/O TILT STEERING)	
32 090B		SHAFT, INTERMEDIATE	FB05-32-090F	1		
32 100		SHAFT, ENERGY ABSORBER	FB01-32-100	1	(W/O TILT STEERING)	
			FB05-32-100A	1	(TILT STEERING)	
32 101A		SPRING, BALANCE-SHAFT	FB05-32-101	1	(TILT STEERING)	
32 102		SPRING, RETURN-SHAFT	FB05-32-102	1	(TILT STEERING)	
32 157		PLATE, COATING-SHAFT	FB01-32-157	2	(W/O TILT STEERING)	
			FB05-32-157	2	(TILT STEERING)	
32 168A		WASHER, STOP	FB01-32-168	1		
32 169A		BOLT	B001-32-169A	1		
32 210		COVER, STEERING SHAFT	FB01-32-210	1		
32 411		COVER, DUST	FB01-32-411A	1		

5925 FC33* -106572
6221 FC33* -133099

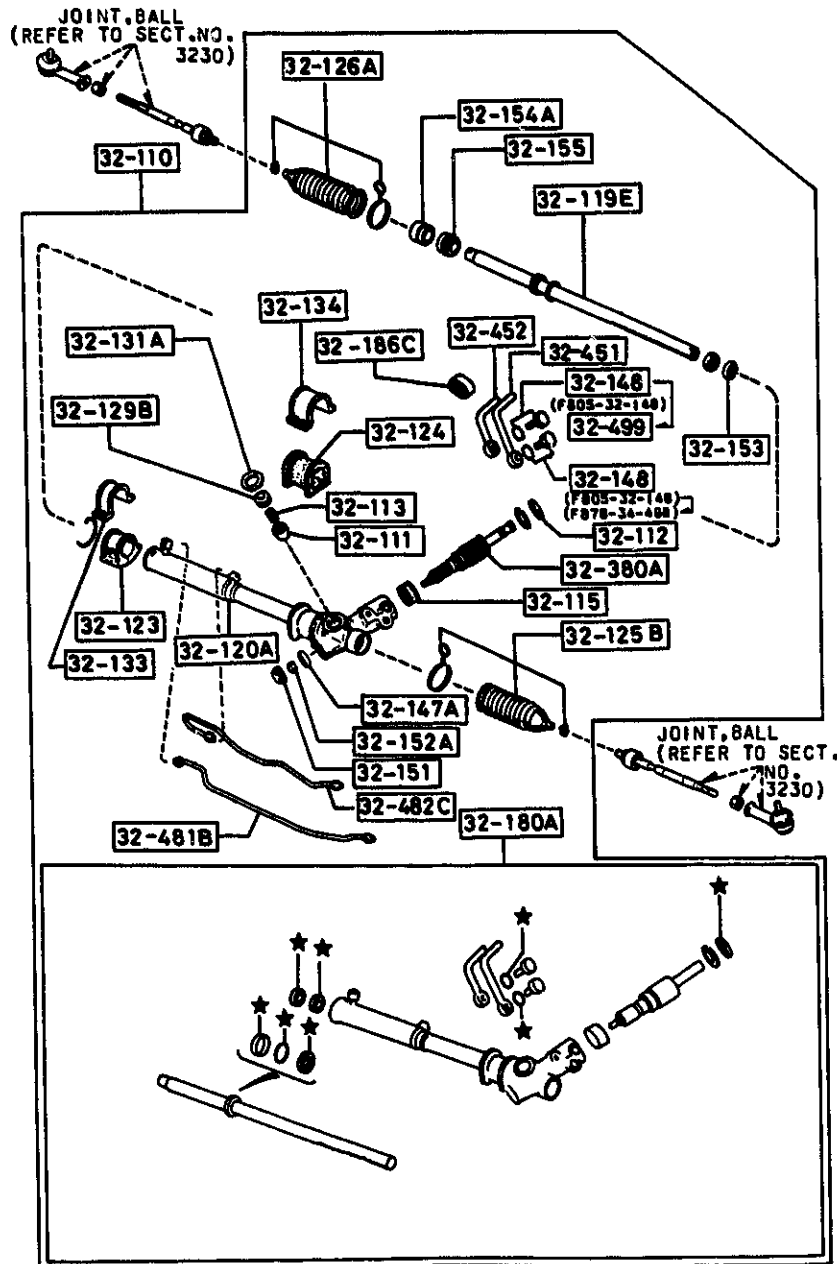
3220-1

STEERING GEAR
(W/O POWER STEERING)



ITEM NO.	D-CODE	DESCRIPTION	PART NO.	QTY	MODEL/DESCRIPTION	REMARKS
19 840J		O-RING	9954-10-1401	1		
32 110		GEAR, STEERING	FB01-32-110F	1		
32 112		COVER, DUST	FB01-32-112	1		
32 113		SPRING, YOKE	FB01-32-113	1		
32 114		BUSHING, RACK	FB01-32-114	1		
32 119E		RACK, STEERING GEAR	FB01-32-119	1		
32 120A		HOUSING, RACK	FB01-32-120	1		
32 122C		PINION, STEERING GEAR	FB01-32-122	1		
32 123		RUBBER, MOUNTING	FB01-32-123	1		
32 124		RUBBER, MOUNTING	FB01-32-124	1		
32 125B		BOOT, RACK	FB01-32-125	1		
32 126A		BOOT, RACK	FB01-32-126	1		
32 128A		SEAL, SHAFT	FB01-32-128	1		
32 129B		PLUG, PINION	FB01-32-129	1		
32 131A		NUT, LOCK-RACK	FB01-32-131	1		
32 132C		NUT, LOCK	FB01-32-132	1		
32 133		PLATE, CLAMP	FB01-32-133	1		
32 134		PLATE, CLAMP	FB01-32-134	1		
32 140B		SPACER	FB01-32-145	1		
32 188B		BAND SET, STEERING GEAR	FB01-32-118	1		

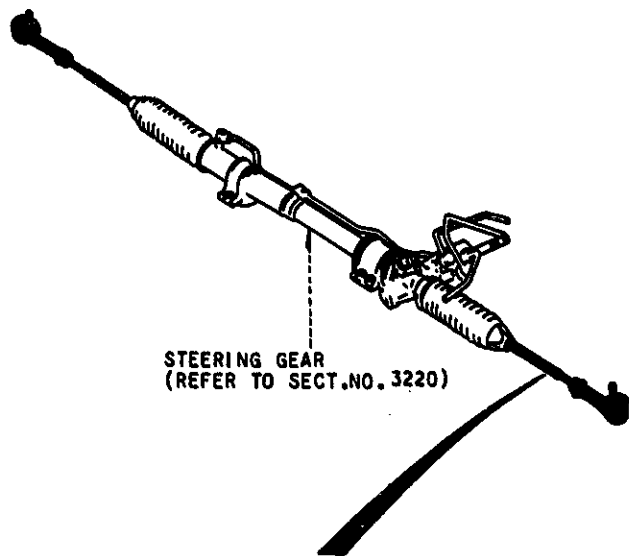
3220A-1 STEERING GEAR (W/ POWER STEERING)



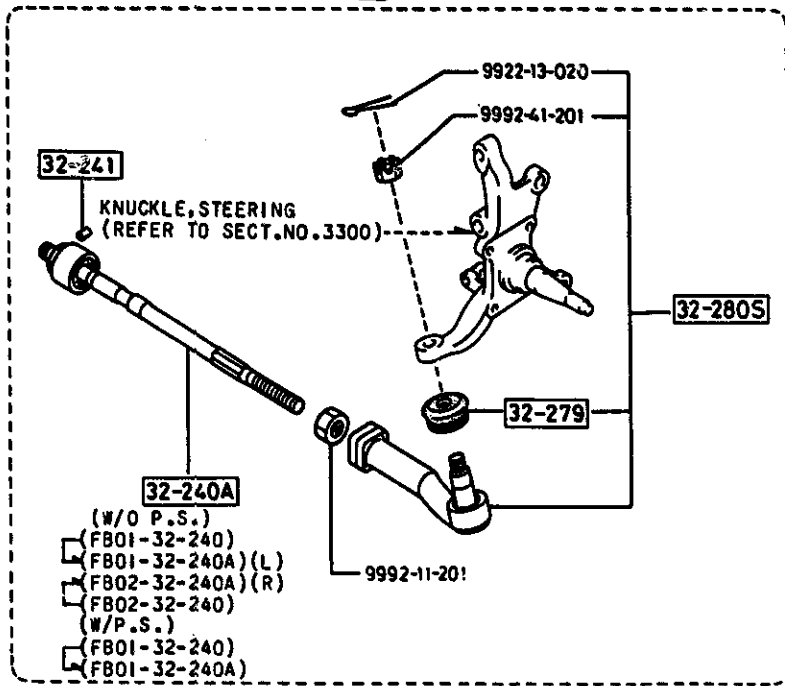
ITEM NO.	D-CODE	DESCRIPTION	PART NO.	QTY	MODEL/DESCRIPTION	REMARKS
19	840J	O-RING	9954-10-1401	1		
32	110	GEAR, STEERING	FB05-32-110F	1		-7701
			FB78-32-110C	1		7701-
32	111	YOKE, SUPPORT	FB05-32-111	1		-7701
32	112	COVER, DUST	FB05-32-112	1		-7701
32	113	SPRING, YOKE	FB05-32-113	1		-7701
32	115	BEARING	FB05-32-115	1		-7701
32	119E	RACK, STEERING GEAR	FB05-32-119	1		-7701
32	120A	HOUSING, RACK	FB05-32-120	1		-7701
32	123	RUBBER, MOUNTING	FB05-32-123	1		-7701
32	124	RUBBER, MOUNTING	FB01-32-124	1		-7701
32	125B	BOOT, RACK	FB01-32-125	1		-7701
32	126	SEAL, SHAFT	FB01-32-126	1		-7701
32	129B	PLUG, PINION	FB05-32-129	1		-7701
32	131A	NUT, LOCK-RACK	FB05-32-131	1		-7701
32	133	PLATE, CLAMP	FB05-32-133	1		-7701
32	134	PLATE, CLAMP	FB01-32-134	1		-7701
32	147A	BEARING	FB05-32-147	1		-7701
32	148	EYE BOLT KIT, STEERING GEAR	FB05-32-148	2		-7701
32	151	COVER, END	FB05-32-151	1		-7701
32	152A	NUT, ADJUST	FB05-32-152	1		-7701
32	153	RING, BACK-UP	FB05-32-153	1		-7701
32	154A	HOLDER, STEERING GEAR	FB05-32-154	1		-7701
32	155	BUSHING, RUBBER	FB05-32-155	1		-7701
32	180A	SEAL KIT, STEERING GEAR	FB05-32-180	1		-7701
32	186C	CLIP KIT, STEERING GEAR	FB05-32-186	1		-7701
32	380A	VALVE	FB05-32-380	1		-7701
32	451	PIPE 'A', STEERING GEAR	FB05-32-451	1		-7701
32	452	PIPE 'B', STEERING GEAR	FB05-32-452	1		-7701
32	481B	PIPE 'A', CYLINDER	FB05-32-481	1		-7701
32	482	HOSE NO. 2, RETURN	FB05-32-482	1		-7701

7701 FC33* -550169

3230-1 STEERING LINKAGE SYSTEM



STEERING GEAR
(REFER TO SECT.NO. 3220)



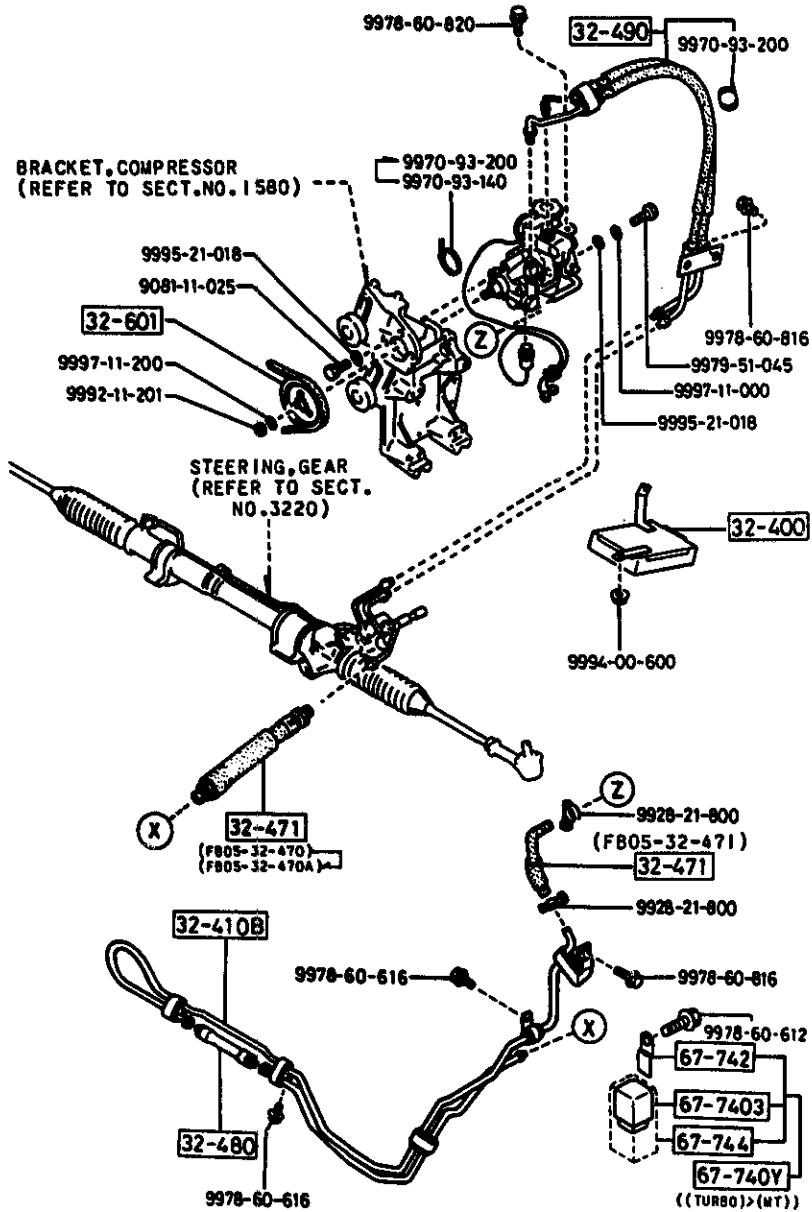
ITEM NO.	D-CODE	DESCRIPTION	PART NO.	QTY	MODEL/DESCRIPTION	REMARKS
32 240A		JOINT, BALL	FB02-32-240	1	W/O P/S	-7701
			FB01-32-240A	1	W/O P/S	7701-
				2	W/ P/S	7701-
32 241		PIN, SPRING-STEERING GEAR	FB01-32-241	2		
32 279		SEAL, DUST-BALL JOINT	8021-32-279	2		
32 280S		JOINT SET, BALL	8AF1-32-280	2		

7701 FC33* -550169

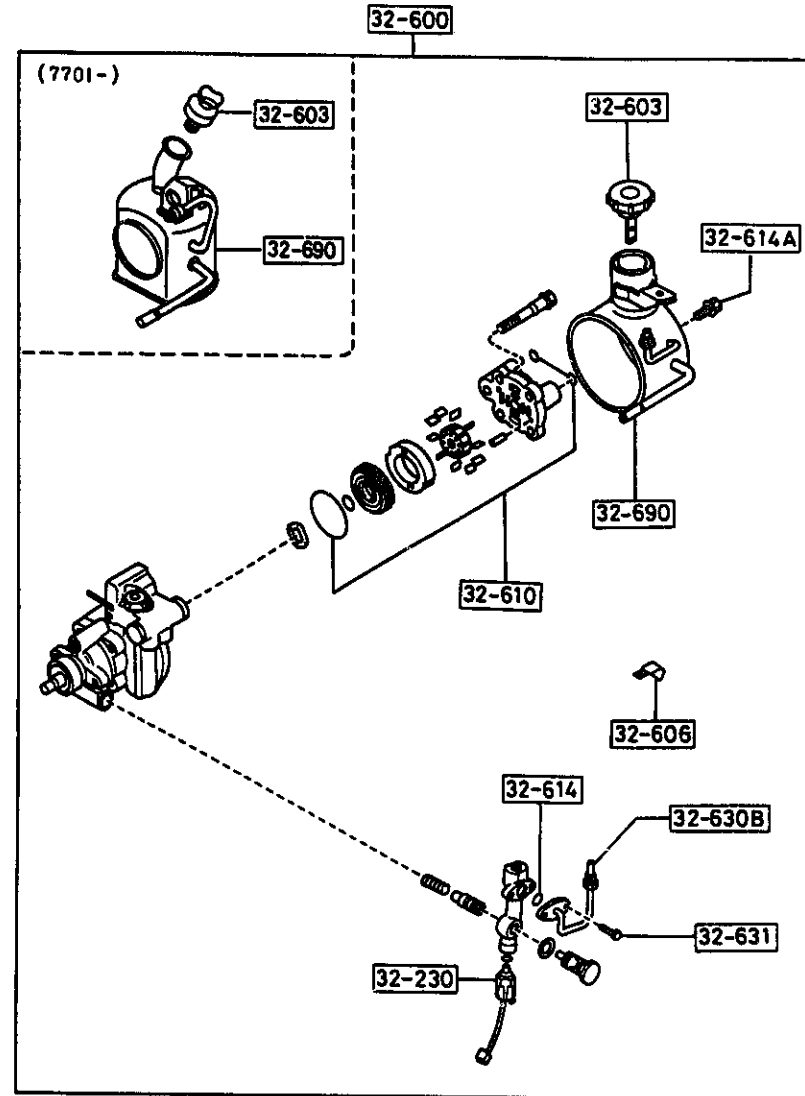
SECTION INDEX -- CHASSIS

STARTING LOCATION	SECT. NO.	SECTION NAME	STARTING LOCATION	SECT. NO.	SECTION NAME	STARTING LOCATION	SECT. NO.	SECTION NAME
1 - C11	2500	DRIVESHAFT	1 - K14	3900BA	ENGINE & TRANSMISSION MOUNTINGS (TURBO)			
1 - D11	2550	REAR DRIVESHAFTS	1 - L14	4000B	EXHAUST SYSTEM (W/O TURBO)			
1 - E11	2600	REAR AXLE	1 - C15	4000BA	EXHAUST SYSTEM (TURBO)			
1 - F11	2610	REAR BRAKE MECHANISMS	1 - E15	4140B	CLUTCH RELEASE & MASTER CYLINDERS (MANUAL TRANSMISSION)			
1 - H11	2710	REAR DIFFERENTIALS (W/O TURBO)(NORMAL DIFFERENTIAL)	1 - F15	4160	ACCELERATOR CONTROL SYSTEM			
1 - J11	2710A	REAR DIFFERENTIALS (W/O TURBO)(LIMITED-SLIP DIFFERENTIAL)	1 - G15	4200	FUEL TANK			
1 - L11	2710C	REAR DIFFERENTIALS (TURBO)(LIMITED-SLIP DIFFERENTIAL)	1 - H15	4300	CLUTCH & BRAKE PEDALS			
1 - N11	2800	REAR SUSPENSION MECHANISMS (W/O TURBO) (W/O AUTOMATIC ADJUSTING SUSPENSION)	1 - J15	4340	BRAKE MASTER CYLINDER & POWER BRAKE (W/O ANTI-LOCK BRAKE SYSTEM)			
1 - C12	2800A	REAR SUSPENSION MECHANISMS (W/O TURBO) (FOR AUTOMATIC ADJUSTING SUSPENSION)	1 - L15	4340A	BRAKE MASTER CYLINDER & POWER BRAKE (ANTI-LOCK BRAKE SYSTEM)			
1 - D12	2800B	REAR SUSPENSION MECHANISMS (TURBO)	1 - N15	4360	BRAKE PIPINGS (W/O ANTI-LOCK BRAKE SYSTEM)			
1 - E12	2810	REAR STABILIZER	1 - C16	4360A	BRAKE PIPINGS (ANTI-LOCK BRAKE SYSTEM)			
1 - F12	2830	REAR LOWER ARMS & SUB-FRAME	1 - D16	4370	ANTI-LOCK BRAKE SYSTEMS			
1 - H12	3200	STEERING WHEEL	1 - F16	4400	PARKING BRAKE SYSTEM			
1 - I12	3210	STEERING COLUMN & SHAFTS	1 - G16	4500B	FUEL PIPINGS (W/O ANTI-LOCK BRAKE SYSTEM)			
1 - J12	3210A	STEERING COLUMN & SHAFTS (W/ POWER STEERING)	1 - H16	4500BA	FUEL PIPINGS (ANTI-LOCK BRAKE SYSTEM)			
1 - K12	3220	STEERING GEAR (W/O POWER STEERING)	1 - I16	4600	CHANGE CONTROL SYSTEM (AUTOMATIC TRANSMISSION)			
1 - L12	3220A	STEERING GEAR (W/ POWER STEERING)						
1 - M12	3230	STEERING LINKAGE SYSTEM						
1 - C13	3240	POWER STEERING SYSTEM						
1 - E13	3300	FRONT AXLE & BRAKE MECHANISMS (FOR NORMAL SUSPENSION)						
1 - I13	3300A	FRONT AXLE & BRAKE MECHANISMS (FOR HARD SUSPENSION) (W/O ANTI-LOCK BRAKE SYSTEM)						
1 - K13	3300B	FRONT AXLE & BRAKE MECHANISMS (FOR HARD SUSPENSION) (ANTI-LOCK BRAKE SYSTEM)						
1 - M13	3400	FRONT SUSPENSION MECHANISMS (W/O TURBO) (W/O AUTOMATIC ADJUSTING SUSPENSION)						
1 - N13	3400A	FRONT SUSPENSION MECHANISMS (W/O TURBO) (FOR AUTOMATIC ADJUSTING SUSPENSION)						
1 - C14	3400B	FRONT SUSPENSION MECHANISMS (TURBO)						
1 - D14	3410	CROSSMEMBER & STABILIZER						
1 - E14	3700	TIRES & JACK (W/O TURBO)						
1 - H14	3700A	TIRES & JACK (TURBO)						
1 - J14	3900B	ENGINE & TRANSMISSION MOUNTINGS (W/O TURBO)						

(THIS ILLUSTRATION CONSISTS OF 2 PAGES)



(THIS ILLUSTRATION CONSISTS OF 2 PAGES)



3240-2

POWER STEERING SYSTEM

ITEM NO.	D-CODE	DESCRIPTION	PART NO.	QTY	MODEL/DESCRIPTION	REMARKS
32 230		SWITCH, PRESSURE	FB05-32-230A	1	P/S	
32 400		CONTROLLER	FB05-32-400C	1		-7701
		REFER TO SERV. BULL. NO. 035/B6, CAT. 15 FOR MORE INFO.				
			FB78-32-400	1		7701-
32 410B		PIPE-NO. 1	FC01-32-410	1		
32 471		HOSE, RETURN	FB05-32-470A	1		
32 480		PIPE, RETURN	FB05-32-480	1		
32 490		HOSE, PRESSURE	FB05-32-490E	1		
32 600		PUMP, VANE	FB05-32-600A	1		-7701
			FB78-32-600B	1		7701-
32 601		PULLEY, VANE PUMP	FB05-32-620	1		
32 603		CAP, FILLER	FB05-32-611	1		
32 606		CLIP	FB01-32-642	1		
32 610		SEAL KIT, VANE PUMP	FB05-32-610	1		-7701
			FB78-32-610A	1		7701-
32 614		O-RING, VANE PUMP	FB05-32-632	1		
32 614A		BOLT	FB05-32-614	2		
32 630B		PIPE, VANE PUMP	FB05-32-630	1		
32 631		BOLT, VANE PUMP	FB05-32-631	2		
32 690		TANK, VANE PUMP	FB05-32-690	1		
67 7403		RELAY, N.O.	B092-67-740	1	M/T, TURBO	
67 740Y		RELAY & COVER, NORMAL OPEN	FB11-67-740	1	M/T, TURBO (30A)	
67 742		BRACKET, RELAY	FB10-67-742	1	M/T, TURBO	
67 744		BOOT, RELAY-WATER PROOF	FB10-67-744	1	M/T, TURBO	

SEE ILLUSTRATION/S AT FRAME 1 - C13

7701 FC33* -550169

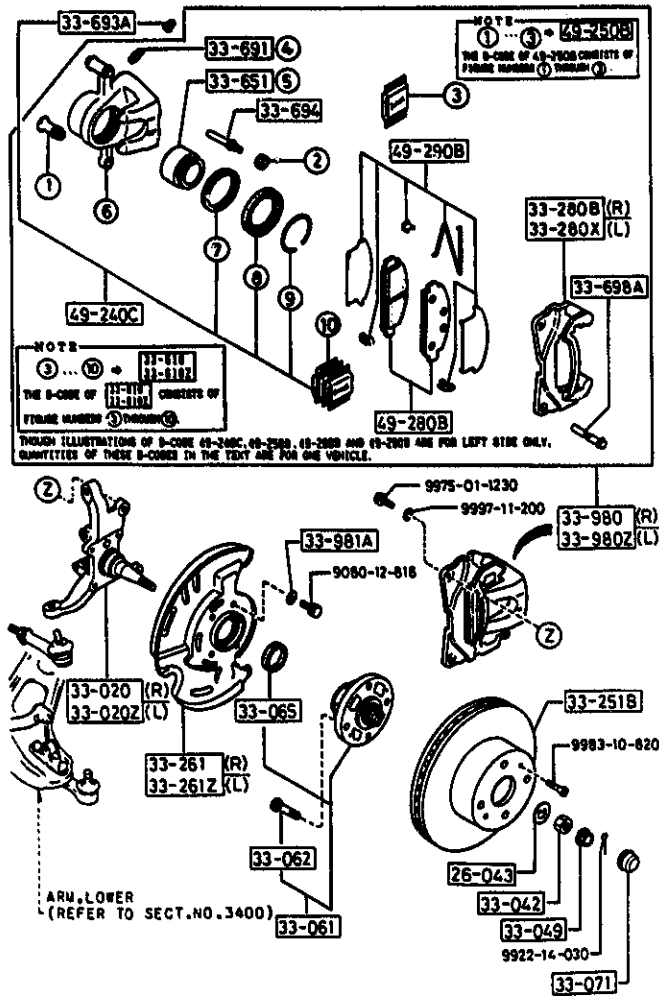
1 - D13

3300-1

FRONT AXLE & BRAKE MECHANISMS
(FOR NORMAL SUSPENSION)

(CPE)

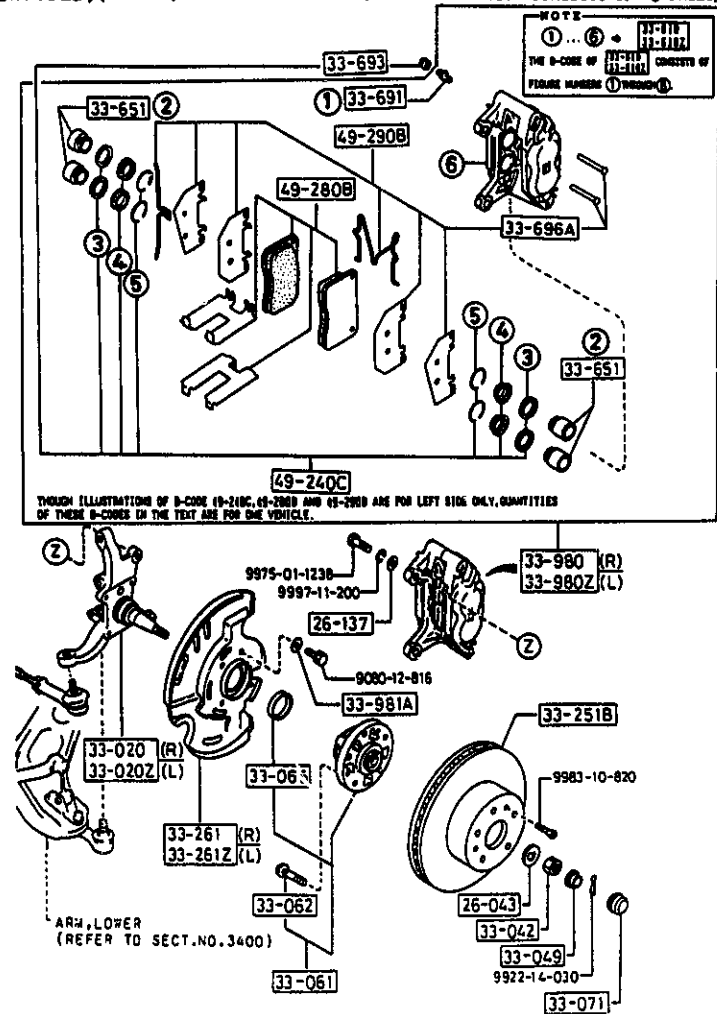
(THIS ILLUSTRATION CONSISTS OF 3 PAGES)



VEHICLE RESTRICTION			
BODY TYPE	HARD SUSP.	A. A. SUSP.	DISC WHEEL
COUPE	-	-	4 HOLES-14"
	x	-	5 HOLES-15"/16"
	x	x	5 HOLES-15"/16"
CONVERTIBLE	-	-	5 HOLES-15"

(CONVERTIBLE)(-7A27)

(THIS ILLUSTRATION CONSISTS OF 3 PAGES)

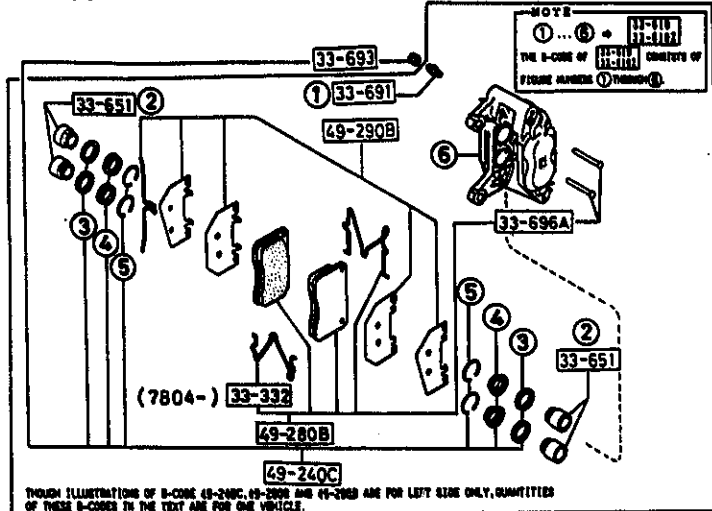


VEHICLE RESTRICTION			
BODY TYPE	HARD SUSP.	A. A. SUSP.	DISC WHEEL
COUPE	-	-	4 HOLES-14"
	x	-	5 HOLES-15"/16"
	x	x	5 HOLES-15"/16"
CONVERTIBLE	-	-	5 HOLES-15"

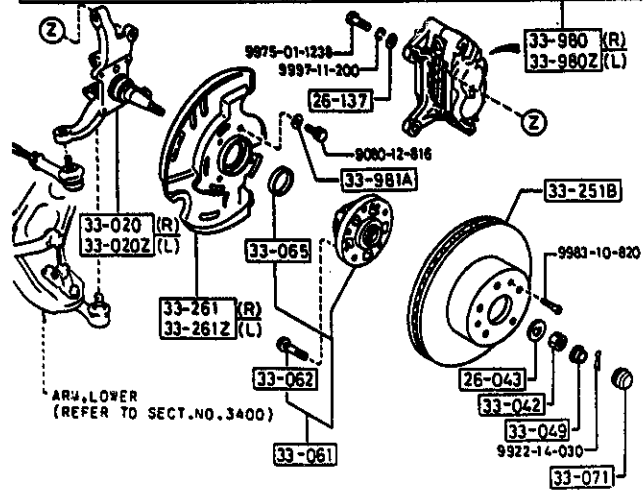
**FRONT AXLE & BRAKE MECHANISMS
(FOR NORMAL SUSPENSION)**

(CONVERTIBLE)(7A27-)

(THIS ILLUSTRATION CONSISTS OF 3 PAGES)



THOUGH ILLUSTRATIONS OF B-CODE 49-240C, 49-280B AND 49-290B ARE FOR LEFT SIDE ONLY, QUANTITIES OF THESE B-CODES IN THE TEXT ARE FOR ONE VEHICLE.



VEHICLE RESTRICTION			
BODY TYPE	HARD SUSP.	A.A. SUSP.	DISC WHEEL
COUPE	-	-	4 HOLES-14"
	x	-	5 HOLES-15"/16"
	x	x	
CONVERTIBLE	-	-	5 HOLES-15"

3300-3

FRONT AXLE & BRAKE MECHANISMS
(FOR NORMAL SUSPENSION)

ITEM NO.	D-CODE	DESCRIPTION	PART NO.	QTY	MODEL/DESCRIPTION	REMARKS
26 043		WASHER, CLAW	1011-33-043	2		
33 020		KNUCKLE (R), STEERING	FB01-33-021B	1		
33 020Z		KNUCKLE (L), STEERING	FB01-33-031B	1		
33 042		NUT	0462-33-042	2		
33 049		COVER, SET	0662-33-049	2		
33 061		HUB, FRONT WHEEL	FB05-49-060E	2	CONVERTIBLE	
			FB01-49-060E	2	COUPE	
33 062		BOLT, WHEEL	FB01-26-113A	8	COUPE	
			FB05-26-113A	10	CONVERTIBLE	
33 065		SEAL, OIL-FRONT AXLE	FB01-33-065A	2		
33 071		CAP, HUB	FB01-33-071A	2		
33 251B		PLATE, HUB/DISK	FB01-33-251	2	COUPE	
			FB05-33-251	2	CONVERTIBLE	
33 261		COVER (R), DUST	FB01-33-260B	1	COUPE	
			FB05-33-260B	1	CONVERTIBLE	
33 261Z		COVER (L), DUST	FB01-33-270B	1	COUPE	
			FB05-33-270B	1	CONVERTIBLE	
33 280B		SUPPORT (R), MOUNTING	FB01-33-281	1		
33 280X		SUPPORT (L), MOUNTING	FB01-33-291	1		
33 651		PISTON, FRONT CALIPER	FB05-33-651	8	CONVERTIBLE	
			8341-33-651	2	COUPE	
33 691		SCREW, BLEEDER	FB05-33-691A	2	CONVERTIBLE	
			0233-33-691	2	COUPE	
33 693		CAP, RUBBER	FB05-33-693	2	CONVERTIBLE	
33 693A		CAP, BLEEDER SCREW	0259-33-693	2	COUPE	
33 694		PIN, GUIDE-FRONT CALIPER	8341-33-694	2	COUPE	
33 696A		PIN, PAD-FRONT BRAKE	FB05-33-696	4	CONVERTIBLE	
33 697		BOLT, BRIDGE-FRONT BRAKE	FB05-33-697	8	CONVERTIBLE	
33 698A		PIN	FA66-33-699	2	COUPE	
33 980		CALIPER (R), FRONT BRAKE	FC02-33-980A	1	CONVERTIBLE	
		REFER TO WARR. CAMPAIGN NO. 26801 FOR RECALL INFO. ON CERTAIN 1986 & 1987 MODELS.				
			FB01-33-980B	1	COUPE	
33 980Z		CALIPER (L), FRONT BRAKE	FC02-33-990A	1	CONVERTIBLE	
		REFER TO WARR. CAMPAIGN NO. 26801 FOR RECALL INFO. ON CERTAIN 1986 & 1987 MODELS.				
			FB01-33-990B	1	COUPE	
33 981A		WASHER, PLAIN-DUST COVER	FB01-33-981	8		
49 240C		SEAL KIT, CALIPER-FRONT	FB05-49-240	1	CONVERTIBLE	

SEE ILLUSTRATION/S AT FRAME 1 - E13

**3300-4 FRONT AXLE & BRAKE MECHANISMS
(FOR NORMAL SUSPENSION)**

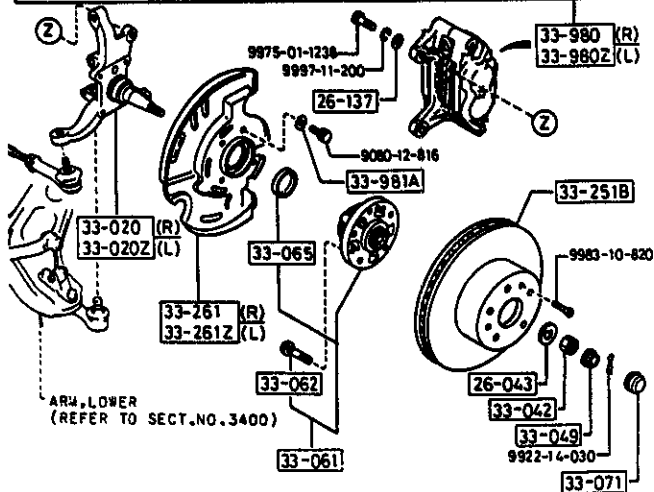
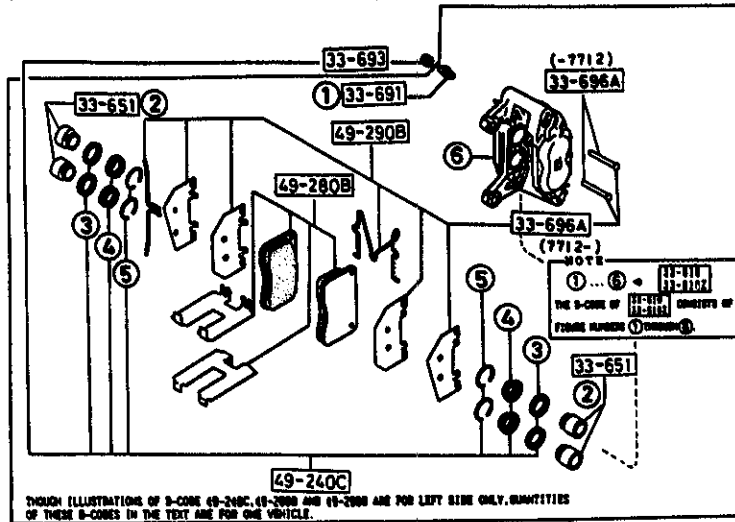
ITEM NO.	D-CODE	DESCRIPTION	PART NO.	QTY	MODEL/DESCRIPTION	REMARKS
	49 240C (CONT'D)		B341-49-240	1	COUPE	
	49 250B	BOOT KIT, FRONT CALIPER	FA66-49-250	1	COUPE	
	49 280B	PAD SET, FRONT CALIPER	FA66-49-280	1		
		REFER TO WARR. CAMPAIGN NO. 26801 FOR RECALL INFO. ON CERTAIN 1986 & 1987 MODELS.				
			BBF1-33-625	1	CONVERTIBLE	
			< AN > FC02-33-28Z	1		
	49 290B	ATTACHMENT, PAD-FRONT	FB05-49-290B	1	CONVERTIBLE	
			FA66-49-290A	1	COUPE	

SEE ILLUSTRATION/S AT FRAME 1 - E13

3300A-1 FRONT AXLE & BRAKE MECHANISMS (FOR HARD SUSPENSION) (W/O ANTI-LOCK BRAKE SYSTEM)

(-7A27)

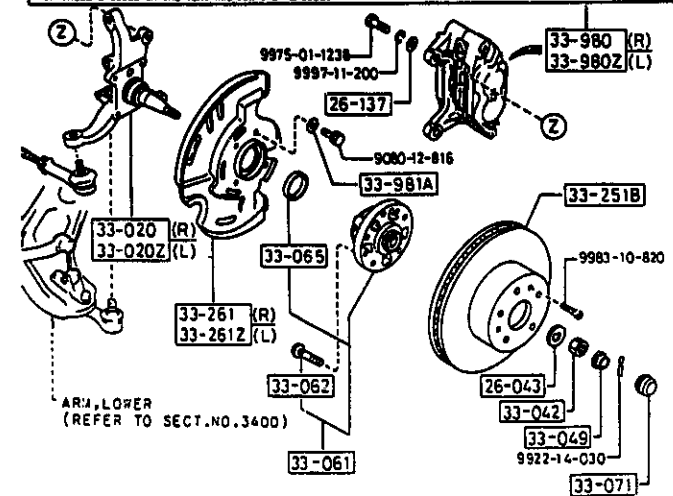
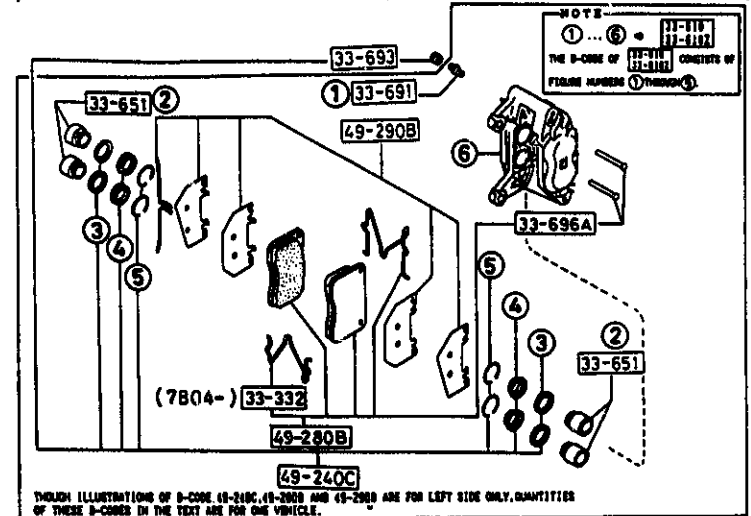
(THIS ILLUSTRATION CONSISTS OF 2 PAGES)



VEHICLE RESTRICTION			
BODY TYPE	HARD SUSP.	A. A. SUSP.	DISC WHEEL
COUPE	-	-	4 HOLES-14"
	x	-	5 HOLES-15"/16"
	x	x	5 HOLES-15"/16"
CONVERTIBLE	-	-	5 HOLES-15"

(7A27-)

(THIS ILLUSTRATION CONSISTS OF 2 PAGES)



VEHICLE RESTRICTION			
BODY TYPE	HARD SUSP.	A. A. SUSP.	DISC WHEEL
COUPE	-	-	4 HOLES-14"
	x	-	5 HOLES-15"/16"
	x	x	5 HOLES-15"/16"
CONVERTIBLE	-	-	5 HOLES-15"

3300A-2

**FRONT AXLE & BRAKE MECHANISMS (FOR HARD
SUSPENSION) (W/O ANTI-LOCK BRAKE SYSTEM)**

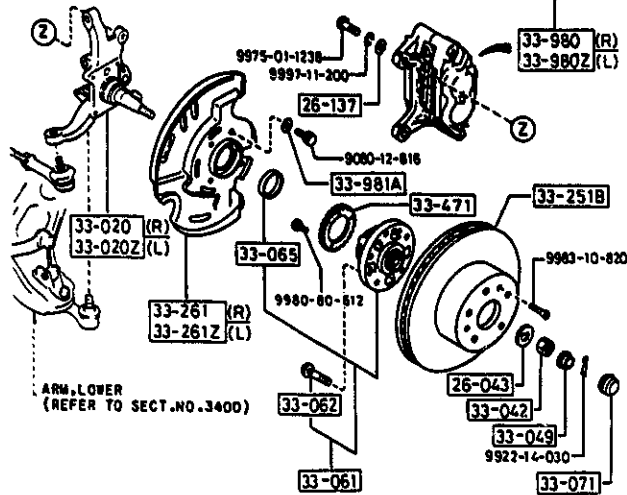
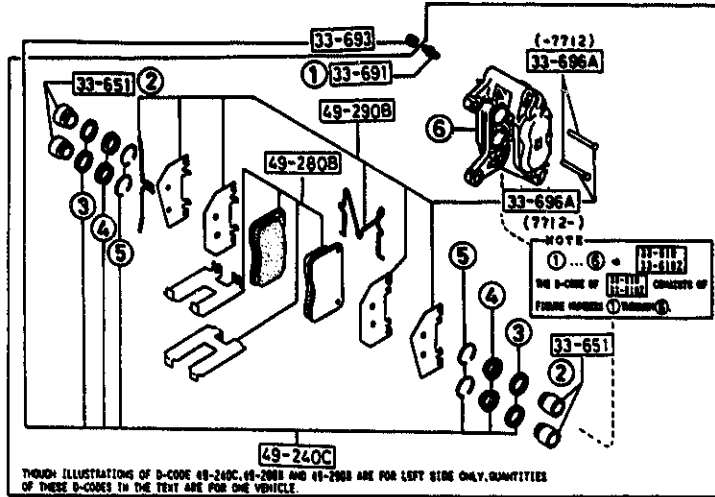
ITEM NO.	D-CODE	DESCRIPTION	PART NO.	QTY	MODEL/DESCRIPTION	REMARKS
26 043		WASHER, CLAW	1011-33-043	2		
26 137		WASHER, PLAIN-LOWER ARM	FB01-26-137	4		
33 020		KNUCKLE (R), STEERING	FB01-33-021B	1		
33 020Z		KNUCKLE (L), STEERING	FB01-33-031B	1		
33 042		NUT	0662-33-042	2		
33 049		COVER, SET	0662-33-049	2		
33 061		HUB, FRONT WHEEL	FB05-49-060E	2		
33 062		BOLT, WHEEL	FB05-26-113A	10		
33 065		SEAL, OIL-FRONT AXLE	FB01-33-065A	2		
33 071		CAP, HUB	FB01-33-071A	2		
33 251B		PLATE, HUB/DISK	FB05-33-251	2		
33 261		COVER (R), DUST	FB05-33-260B	1		
33 261Z		COVER (L), DUST	FB05-33-270B	1		
33 651		PISTON, FRONT CALIPER	FB05-33-651	8		
33 691		SCREW, BLEEDER	FB05-33-691A	2		
33 693		CAP, RUBBER	FB05-33-693	2		
33 696A		PIN, PAD-FRONT BRAKE	FB05-33-696B	4		
33 697		BOLT, BRIDGE-FRONT BRAKE	FB05-33-697	8		
33 980		CALIPER (R), FRONT BRAKE	FC02-33-980A	1		
		REFER TO WARR. CAMPAIGN NO. 26801 FOR RECALL INFO. ON CERTAIN 1986 & 1987 MODELS.				
33 980Z		CALIPER (L), FRONT BRAKE	FC02-33-990A	1		
		REFER TO WARR. CAMPAIGN NO. 26801 FOR RECALL INFO. ON CERTAIN 1986 & 1987 MODELS.				
33 981A		WASHER, PLAIN-DUST COVER	FB01-33-981	8		
49 240C		SEAL KIT, CALIPER-FRONT	FB05-49-240	1		
49 280B		PAD SET, FRONT CALIPER	8BF1-33-625	1		
		REFER TO WARR. CAMPAIGN NO. 26801 FOR RECALL INFO. ON CERTAIN 1986 & 1987 MODELS.				
		< AN >	FC02-33-28Z	1		
49 290B		ATTACHMENT, PAD-FRONT	FB05-49-290B	1		

SEE ILLUSTRATION/S AT FRAME 1 - I13

3300B-1 FRONT AXLE & BRAKE MECHANISMS (FOR HARD SUSPENSION) (ANTI-LOCK BRAKE SYSTEM)

(-7A27)

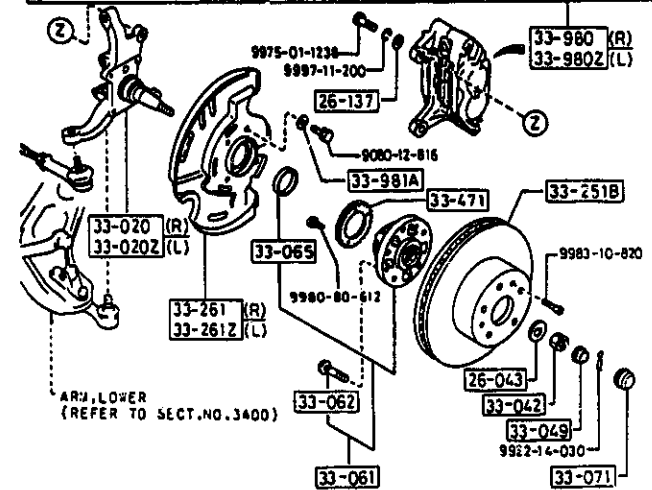
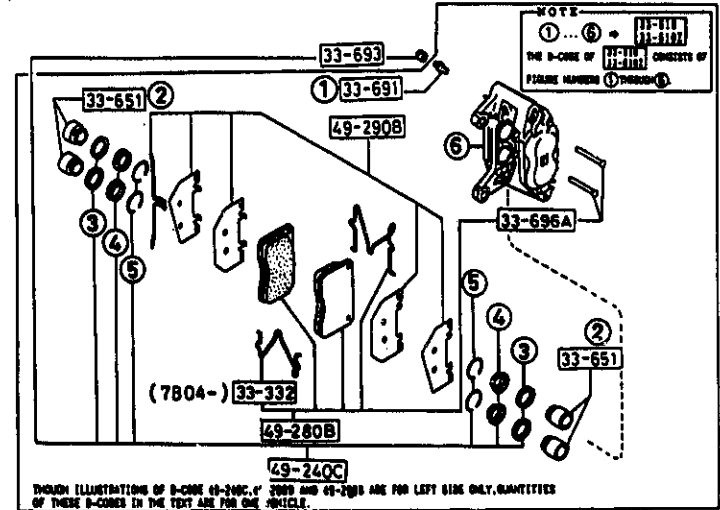
(THIS ILLUSTRATION CONSISTS OF 2 PAGES)



VEHICLE RESTRICTION			
BODY TYPE	HARD SUSP.	A. A. SUSP.	DISC WHEEL
COUPE	-	-	4 HOLES-14"
	x	-	5 HOLES-15"/16"
	x	x	5 HOLES-15"/16"
CONVERTIBLE	-	-	5 HOLES-15"

(7A27-)

(THIS ILLUSTRATION CONSISTS OF 2 PAGES)



VEHICLE RESTRICTION			
BODY TYPE	HARD SUSP.	A. A. SUSP.	DISC WHEEL
COUPE	-	-	4 HOLES-14"
	x	-	5 HOLES-15"/16"
	x	x	5 HOLES-15"/16"
CONVERTIBLE	-	-	5 HOLES-15"

3300B-2

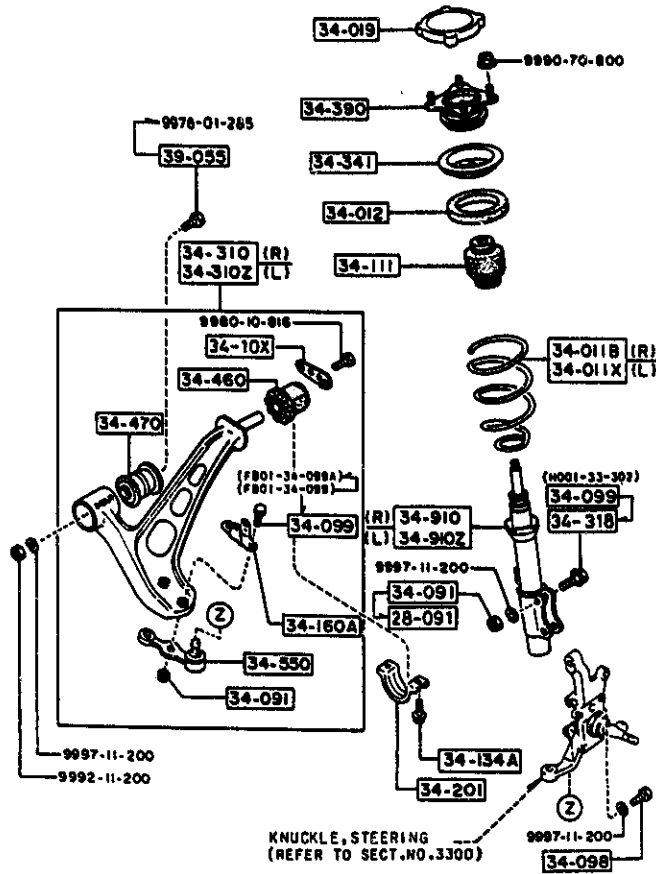
**FRONT AXLE & BRAKE MECHANISMS (FOR HARD
SUSPENSION) (ANTI-LOCK BRAKE SYSTEM)**

ITEM NO.	D-CODE	DESCRIPTION	PART NO.	QTY	MODEL/DESCRIPTION	REMARKS
26	043	WASHER, CLAW	1011-33-043	2		
26	137	WASHER, PLAIN-LOWER ARM	FB01-26-137	4		
33	020	KNUCKLE (R), STEERING	FO51-33-021B	1		
33	020Z	KNUCKLE (L), STEERING	FO51-33-031B	1		
33	042	NUT	0662-33-042	2		
33	049	COVER, SET	0662-33-049	2		
33	061	HUB, FRONT WHEEL	FB05-49-060E	2		
33	062	BOLT, WHEEL	FB05-26-113A	10		
33	065	SEAL, OIL-FRONT AXLE	FB01-33-065A	2		
33	071	CAP, HUB	FB01-33-071A	2		
33	251B	PLATE, HUB/DISK	FB05-33-251	2		
33	261	COVER (R), DUST	FB05-33-260B	1		
33	261Z	COVER (L), DUST	FB05-33-270B	1		
33	471	ROTOR, SENSOR-FRONT A.B.S.	FO48-33-471	2		
33	651	PISTON, FRONT CALIPER	FB05-33-651	8		
33	691	SCREW, BLEEDER	FB05-33-691A	2		
33	693	CAP, RUBBER	FB05-33-693	2		
33	696A	PIN, PAD-FRONT BRAKE	FB05-33-696	4		
33	697	BOLT, BRIDGE-FRONT BRAKE	FB05-33-697	8		
33	980	CALIPER (R), FRONT BRAKE	FC02-33-980A	1		
		REFER TO WARR. CAMPAIGN NO. 26801 FOR RECALL INFO. ON CERTAIN 1986 & 1987 MODELS.				
33	980Z	CALIPER (L), FRONT BRAKE	FC02-33-990A	1		
		REFER TO WARR. CAMPAIGN NO. 26801 FOR RECALL INFO. ON CERTAIN 1986 & 1987 MODELS.				
33	981A	WASHER, PLAIN-DUST COVER	FB01-33-981	8		
49	240C	SEAL KIT, CALIPER-FRONT	FB05-49-240	1		
49	280B	PAD SET, FRONT CALIPER	8BF1-33-625	1		
		REFER TO WARR. CAMPAIGN NO. 26801 FOR RECALL INFO. ON CERTAIN 1986 & 1987 MODELS.				
		<AN>	FC02-33-28Z	1		
49	290B	ATTACHMENT, PAD-FRONT	FB05-49-290	1		

SEE ILLUSTRATION/S AT FRAME 1 - K13

3400-1

FRONT SUSPENSION MECHANISMS (W/O TURBO)
(W/O AUTOMATIC ADJUSTING SUSPENSION)

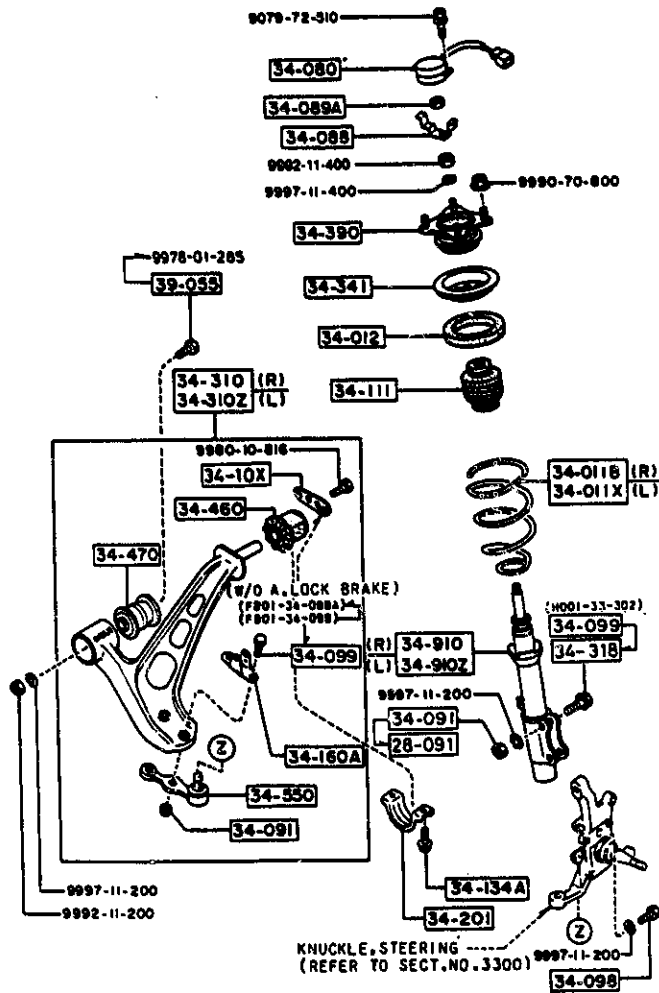


VEHICLE RESTRICTION			
BODY TYPE	HARD SUSP.	A. A. SUSP.	DISC WHEEL
COUPE	-	-	4 HOLES-14"
	x	-	5 HOLES-15"/16"
	x	x	
CONVERTIBLE	-	-	5 HOLES-15"

ITEM NO.	D-CODE	DESCRIPTION	PART NO.	QTY	MODEL/DESCRIPTION	REMARKS
28 091		NUT	H266-28-091	4		7301-
34 011B		SPRING (R), COIL	FB67-34-011	1	NORMAL SUSPENSION, CONVERTIBLE	
			FB01-34-011B	1	NORMAL SUSPENSION COUPE	
			FB44-34-011	1	HARD SUSPENSION	
34 011X		SPRING (L), COIL	FB67-34-021	1	NORMAL SUSPENSION, CONVERTIBLE	
			FB01-34-021B	1	NORMAL SUSPENSION, COUPE	
			FB44-34-021	1	HARD SUSPENSION	
34 012		SHEET, RUBBER	FB01-34-012	2		
34 019		CAP, DAMPER	FB01-34-019	2		
34 091		NUT	B037-28-091	8		-7301
				4		7301-
34 098		BOLT	FB01-34-098	2		-7301
34 099		BOLT	H001-33-302	4		-7301
			FB01-34-099A	4		7401-
34 10X		STOPPER, BUMP	FB01-34-312	2		-5801
34 111		BUMPER, BOUND	FB01-34-111A	2		
34 134A		BOLT, TENSION ROD	8871-34-134A	4		
34 160A		BRACKET, STABILIZER	FB01-34-160A	2		
34 201		BRACKET, LOWER ARM	FB01-34-201	2		
34 310		ARM (R), LOWER	FB01-34-310B	1		
34 310Z		ARM (L), LOWER	FB01-34-360B	1		
34 318		BOLT, FLANGE-STEERING KNUCKLE	H260-34-318	4		7301-
34 341		SHEET, SPRING	FB01-34-341	2		
34 390		RUBBER, MOUNTING	FB01-34-380	2		
			FB01-34-380C	2	< A >	
34 460		BUSHING, RUBBER-LOWER ARM	FB01-34-460	2		
34 470		BUSHING, RUBBER FRONT	FB01-34-470	2		
34 550		BALL JOINT, LOWER	FB01-34-550	2		
34 910		DAMPER (R), FRONT	FB44-34-700C	1	NORMAL SUSPENSION, CONVERTIBLE	
			FB01-34-700C	1	NORMAL SUSPENSION COUPE	
			FB44-34-700C	1	HARD SUSPENSION	
34 910Z		DAMPER (L), FRONT	FB44-34-900C	1	NORMAL SUSPENSION CONVERTIBLE	
			FB01-34-900C	1	NORMAL SUSPENSION COUPE	
			FB43-34-900D	1	HARD SUSPENSION	
39 055		BOLT	9978-01-285	2		-6201

- 5801 FC33* -113629
- 6201 FC33* -129445
- 7301 FC33* -537230
- 7401 FC33* -543109

3400A-1 FRONT SUSPENSION MECHANISMS (W/O TURBO) (FOR AUTOMATIC ADJUSTING SUSPENSION)



VEHICLE RESTRICTION			
BODY TYPE	HARD SUSP.	A. A. SUSP.	DISC WHEEL
COUPE	-	-	4 HOLES-14"
	x	-	5 HOLES-15"/16"
	x	x	
CONVERTIBLE	-	-	5 HOLES-15"

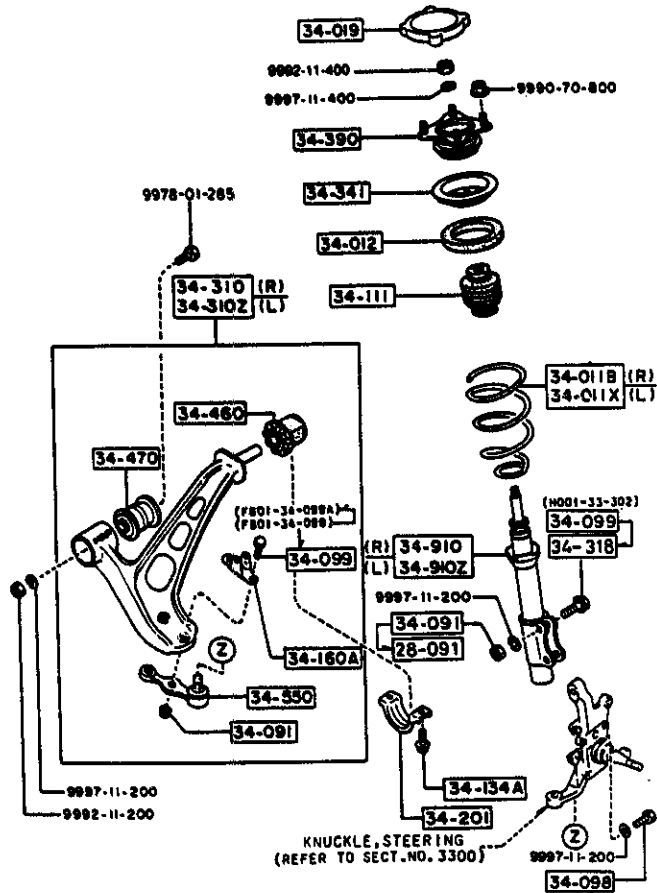
ITEM NO.	D-CODE	DESCRIPTION	PART NO.	QTY	MODEL/DESCRIPTION	REMARKS
28 091		NUT	H266-28-091	4		7301-
34 011B		SPRING (R), COIL	FB44-34-011	1	PINK MARK	
34 011X		SPRING (L), COIL	FB44-34-021	1	GRAY MARK	
34 012		SHEET, RUBBER	FB01-34-012	2		
34 080		ACTUATOR	FB07-34-080A	2		
34 088		PLATE SET	H126-34-088A	2		
34 089A		NUT	G054-34-089A	2		
34 091		NUT	B001-34-091	8		-7301
				4		7301-
34 098		BOLT	FB01-34-098	2		
34 C99		BOLT	H001-33-302	4		-7301
			FB01-34-099A	4		
34 10X		STOPPER, BUMP	FB01-34-312	2	W/O A.B.S.	-5801
34 111		BUMPER, BOUND	FB01-34-111A	2		
34 134A		BOLT, TENSION ROD	8871-34-134A	4		
34 160A		BRACKET, STABILIZER	FB01-34-160A	2		
34 201		BRACKET, LOWER ARM	FB01-34-201	2		
34 310		ARM (R), LOWER	FB01-34-310B	1		
34 310Z		ARM (L), LOWER	FB01-34-360B	1		
34 318		BOLT, FLANGE-STEERING KNUCKLE	H260-34-318	4		7301-
34 341		SHEET, SPRING	FB01-34-341	2		
34 390		RUBBER, MOUNTING	FB01-34-380	2		-6A01
			FB01-34-380C	2		6513-
34 460		BUSHING, RUBBER-LOWER ARM	FB01-34-460	2		
34 470		BUSHING, RUBBER-FRONT	FB01-34-470	2		
34 550		BALL JOINT, LOWER	FB01-34-550	2		
34 910		DAMPER (R), FRONT	FB52-34-700A	1		
34 910Z		DAMPER (L), FRONT	FB52-34-900A	1		
39 055		BOLT	B092-39-055	2		-6201

5801	FC33*	-113629
6201	FC33*	-129445
6513	FC33*	-147766
6A01	FC33*	-517640
7301	FC33*	-537230

SECTION INDEX -- CHASSIS

SPRING LOCATION	SECT. NO.	SECTION NAME	SPRING LOCATION	SECT. NO.	SECTION NAME	SPRING LOCATION	SECT. NO.	SECTION NAME
1 - C11	2500	DRIVESHAFT	1 - L14	4000B	EXHAUST SYSTEM (W/O TURBO)			
1 - D11	2550	REAR DRIVESHAFTS						
1 - E11	2600	REAR AXLE						
1 - F11	2610	REAR BRAKE MECHANISMS	1 - C15	4000BA	EXHAUST SYSTEM (TURBO)			
1 - H11	2710	REAR DIFFERENTIALS (W/O TURBO)(NORMAL DIFFERENTIAL)	1 - E15	4140B	CLUTCH RELEASE & MASTER CYLINDERS (MANUAL TRANSMISSION)			
1 - J11	2710A	REAR DIFFERENTIALS (W/O TURBO)(LIMITED-SLIP DIFFERENTIAL)	1 - F15	4160	ACCELERATOR CONTROL SYSTEM			
1 - L11	2710C	REAR DIFFERENTIALS (TURBO)(LIMITED-SLIP DIFFERENTIAL)	1 - G15	4200	FUEL TANK			
1 - N11	2800	REAR SUSPENSION MECHANISMS (W/O TURBO) (W/O AUTOMATIC ADJUSTING SUSPENSION)	1 - H15	4300	CLUTCH & BRAKE PEDALS			
1 - C12	2800A	REAR SUSPENSION MECHANISMS (W/O TURBO) (FOR AUTOMATIC ADJUSTING SUSPENSION)	1 - J15	4340	BRAKE MASTER CYLINDER & POWER BRAKE (W/O ANTI-LOCK BRAKE SYSTEM)			
1 - D12	2800B	REAR SUSPENSION MECHANISMS (TURBO)	1 - L15	4340A	BRAKE MASTER CYLINDER & POWER BRAKE (ANTI-LOCK BRAKE SYSTEM)			
1 - E12	2810	REAR STABILIZER	1 - N15	4360	BRAKE PIPINGS (W/O ANTI-LOCK BRAKE SYSTEM)			
1 - F12	2830	REAR LOWER ARMS & SUB-FRAME	1 - C16	4360A	BRAKE PIPINGS (ANTI-LOCK BRAKE SYSTEM)			
1 - H12	3200	STEERING WHEEL	1 - D16	4370	ANTI-LOCK BRAKE SYSTEMS			
1 - I12	3210	STEERING COLUMN & SHAFTS	1 - F16	4400	PARKING BRAKE SYSTEM			
1 - J12	3210A	STEERING COLUMN & SHAFTS (W/ POWER STEERING)	1 - G16	4500B	FUEL PIPINGS (W/O ANTI-LOCK BRAKE SYSTEM)			
1 - K12	3220	STEERING GEAR (W/O POWER STEERING)	1 - H16	4500BA	FUEL PIPINGS (ANTI-LOCK BRAKE SYSTEM)			
1 - L12	3220A	STEERING GEAR (W/ POWER STEERING)	1 - I16	4600	CHANGE CONTROL SYSTEM (AUTOMATIC TRANSMISSION)			
1 - M12	3230	STEERING LINKAGE SYSTEM						
1 - C13	3240	POWER STEERING SYSTEM						
1 - E13	3300	FRONT AXLE & BRAKE MECHANISMS (FOR NORMAL SUSPENSION)						
1 - I13	3300A	FRONT AXLE & BRAKE MECHANISMS (FOR HARD SUSPENSION) (W/O ANTI-LOCK BRAKE SYSTEM)						
1 - K13	3300B	FRONT AXLE & BRAKE MECHANISMS (FOR HARD SUSPENSION) (ANTI-LOCK BRAKE SYSTEM)						
1 - M13	3400	FRONT SUSPENSION MECHANISMS (W/O TURBO) (W/O AUTOMATIC ADJUSTING SUSPENSION)						
1 - N13	3400A	FRONT SUSPENSION MECHANISMS (W/O TURBO) (FOR AUTOMATIC ADJUSTING SUSPENSION)						
1 - C14	3400B	FRONT SUSPENSION MECHANISMS (TURBO)						
1 - D14	3410	CROSSMEMBER & STABILIZER						
1 - E14	3700	TIRES & JACK (W/O TURBO)						
1 - H14	3700A	TIRES & JACK (TURBO)						
1 - J14	3900B	ENGINE & TRANSMISSION MOUNTINGS (W/O TURBO)						
1 - K14	3900BA	ENGINE & TRANSMISSION MOUNTINGS (TURBO)						

3400B-1 FRONT SUSPENSION MECHANISMS (TURBO)



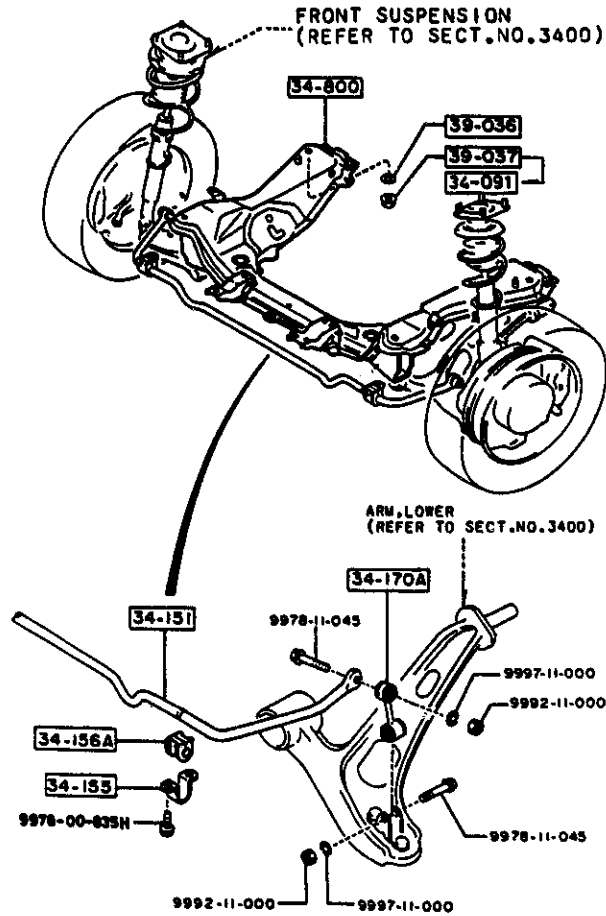
VEHICLE RESTRICTION			
BODY TYPE	HARD SUSP.	A. A. SUSP.	DISC WHEEL
COUPE	-	-	4 HOLES-14"
	x	-	5 HOLES-15"/16"
CONVERTIBLE	-	x	5 HOLES-15"

ITEM NO.	D-CODE	DESCRIPTION	PART NO.	QTY	MODEL/DESCRIPTION	REMARKS
28 091		NUT	H266-28-091	4		7301-
34 011B		SPRING (R), COIL	FB44-34-011	1	PINK MARK	
34 011X		SPRING (L), COIL	FB44-34-021	1	GRAY MARK	
34 012		SHEET, RUBBER	FB01-34-012	2		
34 019		CAP, DAMPER	FB01-34-019	2		
34 091		NUT	8001-34-091	8		-7301
				4		7301-
34 098		BOLT	FB01-34-098	2		
34 099		BOLT	H001-33-302	4		-7301
			FB01-34-099A	4		
34 111		BUMPER, BOUND	FB01-34-111A	2		
34 134A		BOLT, TENSION ROD	8871-34-134A	4		
34 160A		BRACKET, STABILIZER	FB01-34-160A	2		
34 201		BRACKET, LOWER ARM	FC01-34-201	2		
34 310		ARM (R), LOWER	FB01-34-310B	1		
34 310Z		ARM (L), LOWER	FB01-34-360B	1		
34 318		BOLT, FLANG-STEERING KNUCKLE	H260-34-318	4		7301-
34 341		SHEET, SPRING	FB01-34-341	2		
34 390		RUBBER, MOUNTING	FB01-34-380	2		-6513
			FB01-34-380C	2		6513-
34 460		BUSHING, RUBBER-LOWER ARM	FB01-34-460	2		
34 470		BUSHING, RUBBER-FRONT	FB01-34-470	2		
34 550		BALL JOINT, LOWER	FB01-34-550	2		
34 910		DAMPER (R), FRONT	FB44-34-700C	1		
34 910Z		DAMPER (L), FRONT	FB44-34-900C	1		

6513 FC33* -147766
7301 FC33* -537230

3410-1

CROSSMEMBER & STABILIZER

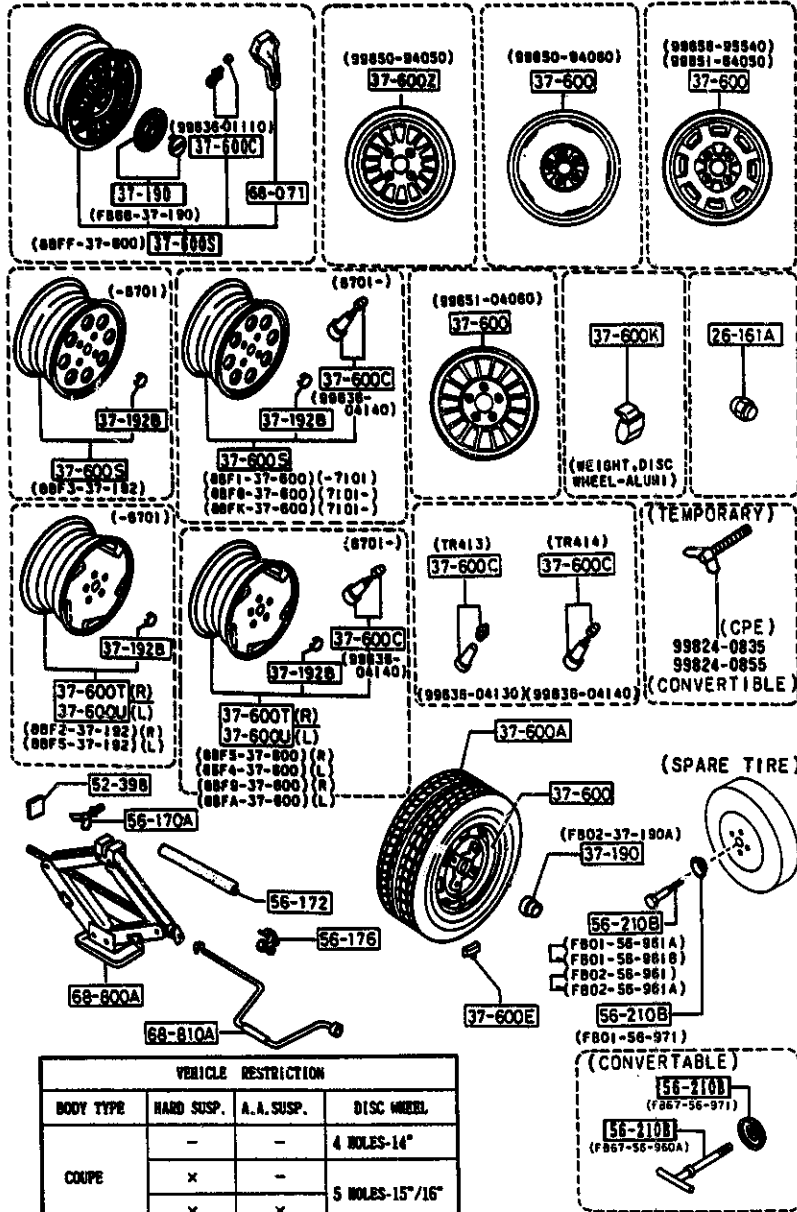


VEHICLE RESTRICTION			
BODY TYPE	HARD SUSP.	A. A. SUSP.	DISC WHEEL
COUPE	-	-	4 HOLES-14"
	x	-	5 HOLES-15"/16"
	x	x	
CONVERTIBLE	-	-	5 HOLES-15"

ITEM NO.	D-CODE	DESCRIPTION	PART NO.	QTY	MODEL/DESCRIPTION	REMARKS
34 091		NUT	FB01-34-091	4		5906-
34 151		STABILIZER, FRONT	FB01-34-151C	1	NORMAL SUSPENSION COUPE	
			FB43-34-151C	1	HARD SUSPENSION	
34 155		PLATE, STABILIZER	FB01-34-155	2	NORMAL SUSPENSION COUPE	
34 156A		RUBBER, STABILIZER-FRONT	FB02-34-156A	2	NORMAL SUSPENSION COUPE	
			FB43-34-156B	2	HARD SUSPENSION	
34 170A		LINK, CONTROL-STABILIZER	FB01-34-170A	2	NORMAL SUSPENSION CONVERTIBLE	
34 800		MEMBER, CROSS	FB67-34-800C	1	NORMAL SUSPENSION CONVERTIBLE	
			FB01-34-800G	1		
39 036		WASHER	B001-39-036	4		-5906
39 037		NUT	B001-39-037B	4		-5906

5906 FC33* -103042

3700-1 TIRES & JACK (W/O TURBO)

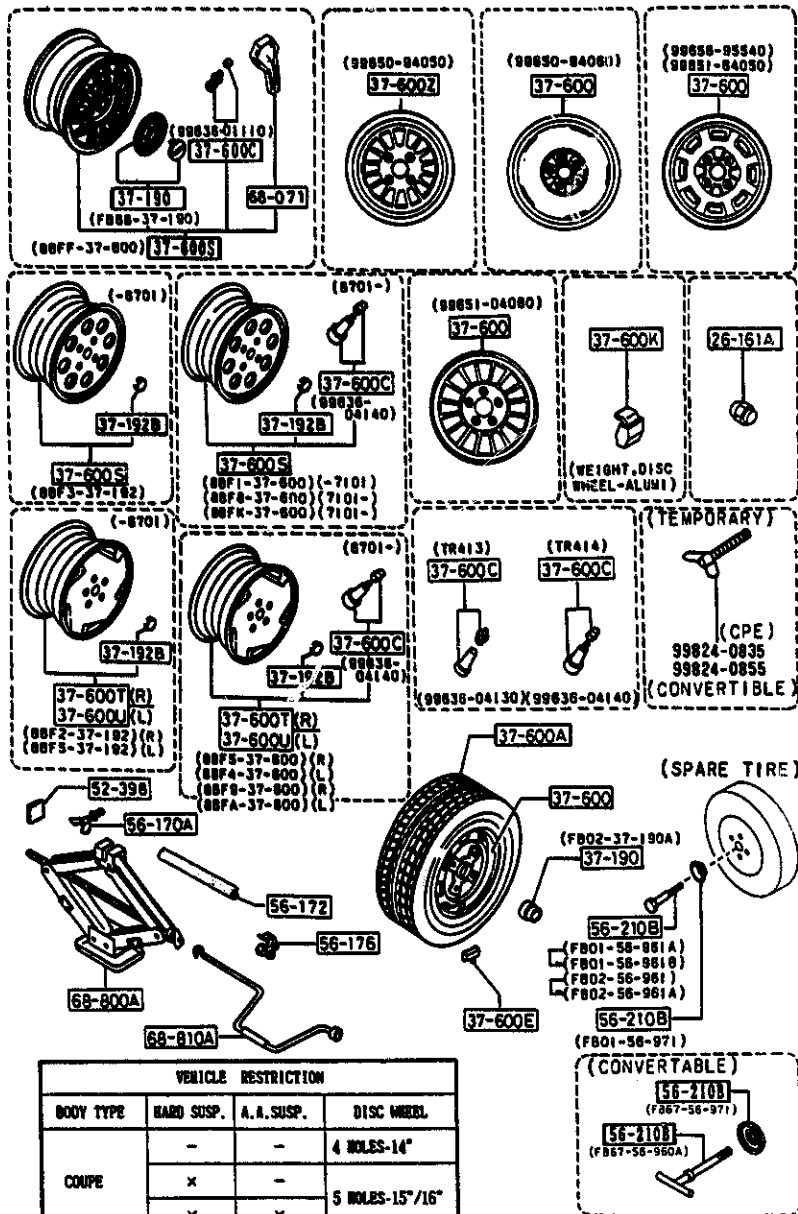


VEHICLE RESTRICTION			
BODY TYPE	HARD SUSP.	A.A. SUSP.	DISC WHEEL
COUPE	-	-	4 HOLES-14"
	x	-	5 HOLES-15"/16"
CONVERTIBLE	x	x	5 HOLES-15"/16"
	-	-	5 HOLES-15"

ITEM NO.	D-CODE	DESCRIPTION	PART NO.	QTY	MODEL/DESCRIPTION	REMARKS
26	161A	NUT, HUB	8002-37-160	16	PLATED, FOR 4-HOLE DISC WHEEL	-8201
			0603-26-161	20	NON-BRIGHT, FOR 5-HOLE DISC WHEEL	
37	190	CAP, CENTER	FB02-37-190A	4	COUPE	8201-
			FB68-37-190	4	CONV.	
37	192B	EMBLEM, CENTER	FB05-37-192	4	COUPE, NORM SUSP.	7101-7401
			F055-37-192	4	COUPE, NORM SUSP.	7101-7401
			FB01-37-192B	4	FOR 6JJ X 15 & 7JJ X 16 ALUM.	-7101
			F055-37-192	4	FOR 6JJ X 15 & 7JJ X 16 ALUM. COUPE, HARD SUSP. COUPE, NORM SUSP.	7101-7401-
37	600	WHEEL, DISC-STEEL	9965-09-406	1	4T X 16, TEMP. COUPE, HARD SUSP.	7401-
			9965-10-406	1	4T X 16, TEMP. CONV.	
			9965-69-554	1	5.5JJ X 14, 4-HOLE STEEL BASE, COUPE, NORM. SUSP.	
37	600A	TIRE	0000-78-559	1	4T X 15, TEMP. BASE, SE, LX	7601-
			0000-78-5755	1	T135/70D15, TEMP. COUPE, NORM SUSP.	
			0000-78-202	4	T135/70D15, TEMP. CONV., COUPE, HARD SUSP.	
			0000-78-850	4	185/70HR14 COUPE	
37	600C	VALVE, AIR	9963-60-111	4	CONV.	
			9963-60-413	4	COUPE	
37	600E	WEIGHT, DISC WHEEL-STEEL	9965-53-0005	4	5G	
			9965-53-0010	4	10G	
			9965-53-0015	4	15G	
			9965-53-0020	4	20G	
			9965-53-0025	4	25G	
			9965-53-0030	4	30G	
			9965-53-0035	4	35G	

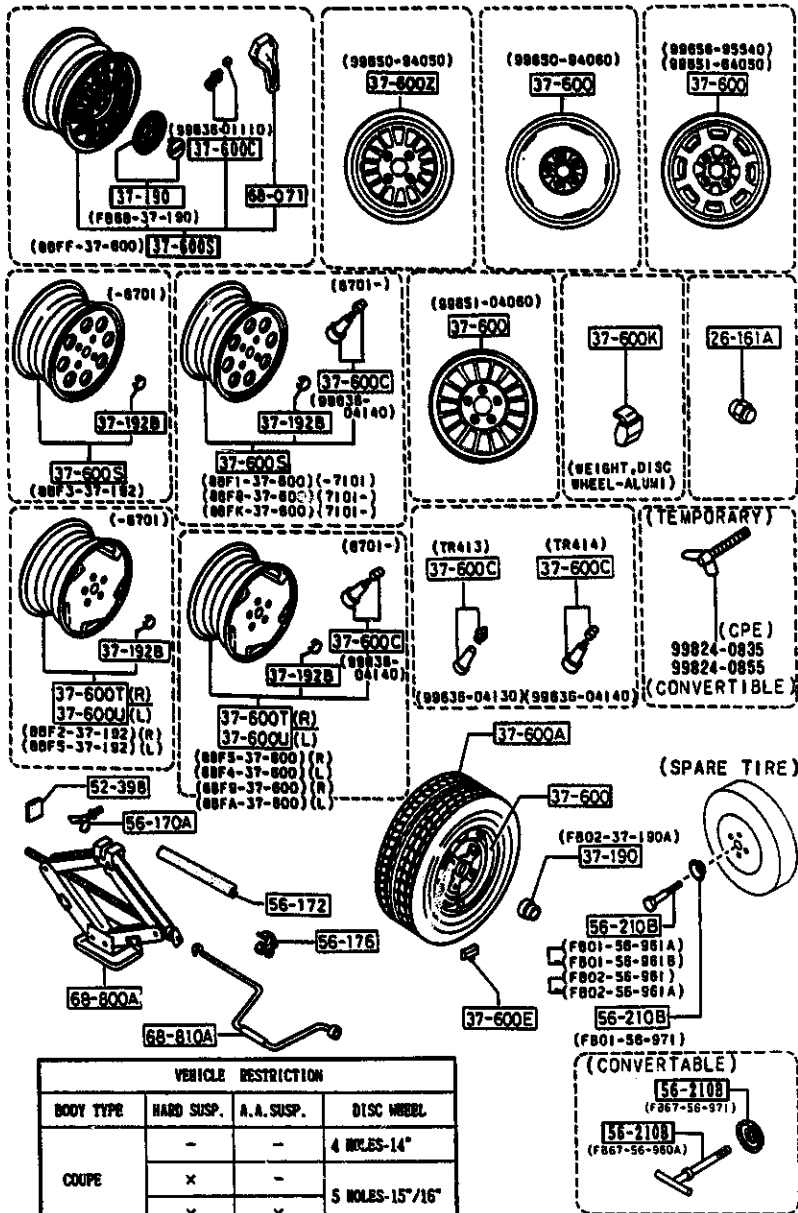
7101 FC33* -528625
 7401 FC33* -543109
 7601 FC33* -550168
 8201 FC351 -102771

3700-2 TIRES & JACK (W/O TURBO)



ITEM NO.	D-CODE	DESCRIPTION	PART NO.	QTY	MODEL/DESCRIPTION	REMARKS
37 600E	(CONT'D)		9965-53-0040	4	40G	
			9965-53-0045	4	45G	
37 600K	WEIGHT, DISC WHEEL-ALUM.		9965-53-0050	4	50G	
			9965-53-0055	4	55G	
			9965-53-0060	4	60G	
			9965-59-0005	4	5G FOR 1-PIECE WHL.	
			9965-59-0010	4	10G FOR 1-PIECE WHL.	
			9965-59-0015	4	15G FOR 1-PIECE WHL.	
			9965-59-0020	4	20G FOR 1-PIECE WHL.	
			9965-59-0025	4	25G FOR 1-PIECE WHL.	
			9965-59-0030	4	30G FOR 1-PIECE WHL.	
			9965-59-0035	4	35G FOR 1-PIECE WHL.	
			9965-59-0040	4	40G FOR 1-PIECE WHL.	
			9965-59-0045	4	45G FOR 1-PIECE WHL.	
			9965-59-0050	4	50G FOR 1-PIECE WHL.	
			9965-59-0055	4	55G FOR 1-PIECE WHL.	
			9965-59-0060	4	60G FOR 1-PIECE WHL.	
			9965-61-0005	4	5G FOR 2-PIECE WHL.	
			9965-61-0010	4	10G FOR 2-PIECE WHL.	
			9965-61-0015	4	15G FOR 2-PIECE WHL.	
			9965-61-0020	4	20G FOR 2-PIECE WHL.	
			9965-61-0025	4	25G FOR 2-PIECE WHL.	
9965-61-0030	4	30G FOR 2-PIECE WHL.				
9965-61-0035	4	35G FOR 2-PIECE WHL.				
9965-61-0040	4	40G FOR 2-PIECE WHL.				
9965-61-0045	4	45G FOR 2-PIECE WHL.				
9965-61-0050	4	50G FOR 2-PIECE WHL.				
9965-61-0055	4	55G FOR 2-PIECE WHL.				
9965-61-0060	4	60G FOR 2-PIECE WHL.				
37 600S		WHEEL SET, DISC-ALUM.	88F3-37-192	4	5.5JJ X 14, PEWTER NORM. SUSP.-SE, LX	-6701
		REFER TO PARTS BULL. NO. T-2-1 FOR MORE WHEEL INFO.				
6701	FC33*	-500010	88F1-37-600	4	5.5JJ X 14, BRIGHT NORM. SUSP.-SE, LX	6701-7101
7101	FC33*	-528625	88F8-37-600	4	5.5JJ X 14, TOPY MAKE NORM. SUSP.-SE, LX	7101-
			88F8-37-600	4	5.5JJ X 14, NKK MAKE NORM. SUSP.-SE, LX	7101-
			88FF-37-600A	4	6.5JJ X 15, CONV. NORM. SUSP.	

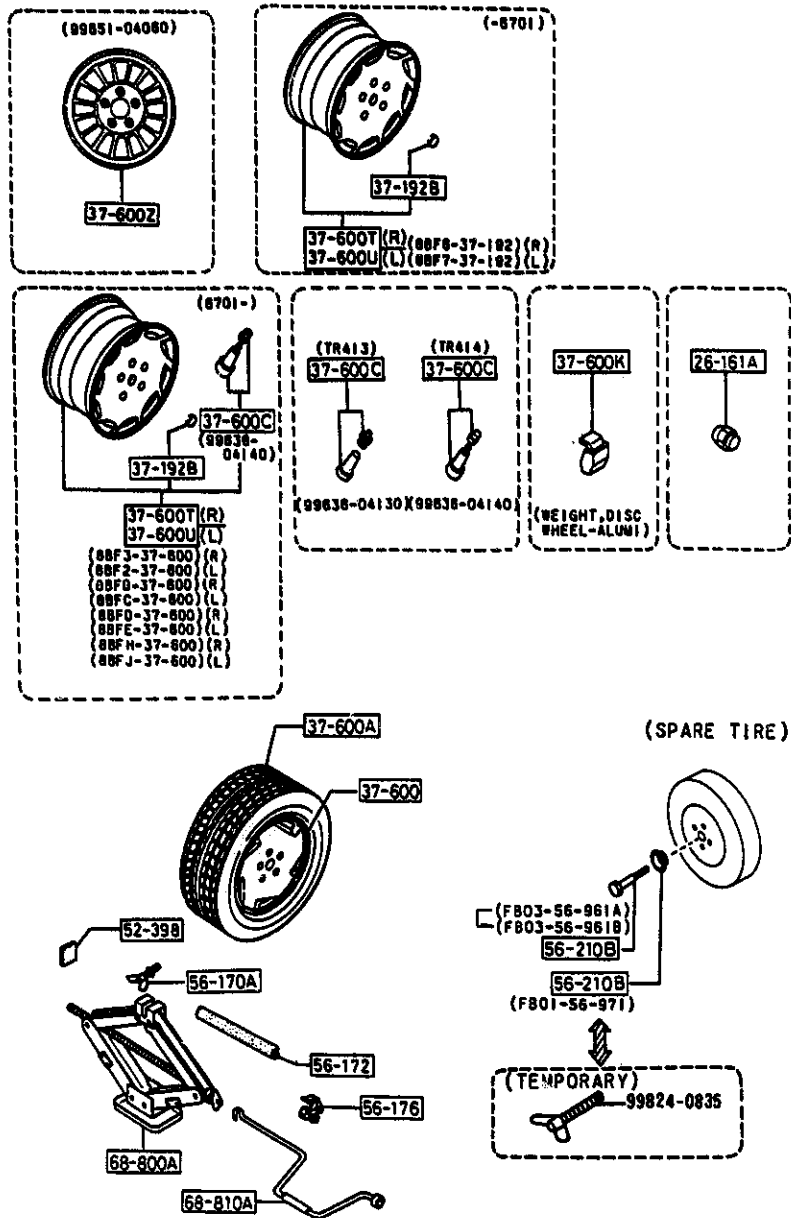
3700-3 TIRES & JACK (W/O TURBO)



VEHICLE RESTRICTION			
BODY TYPE	HARD SUSP.	A.A. SUSP.	DISC WHEEL
COUPE	-	-	4 HOLES-14"
	x	-	5 HOLES-15"/16"
	x	x	
CONVERTIBLE	-	-	5 HOLES-15"

ITEM NO.	D-CODE	DESCRIPTION	PART NO.	QTY	MODEL/DESCRIPTION	REMARKS
37 600T		WHEEL SET (R), DISC.-ALUM.	88F2-37-192	2	6JJ X 15, 5-HOLE PEWTER HARD SUSP.-SPORT, GTU, GXI	-6701
		REFER TO PARTS BULL. NO. T-2-1 FOR MORE WHEEL INFO.	88F5-37-600	2	6JJ X 15, 5-HOLE BRIGHT HARD SUSP.-SPORT, GTU, GXI	6701-7101
			88F9-37-600	2	6JJ X 15, 5-HOLE POLISHED HARD SUSP.-SPORT, GTU, GXI	7101-
37 600U		WHEEL SET (L), DISC.-ALUM.	88F5-37-192	2	6JJ X 15, 5-HOLE PEWTER HARD SUSP.-SPORT, GTU, GXI	-6701
		REFER TO PARTS BULL. NO. T-2-1 FOR MORE WHEEL INFO.	88F4-37-600	2	6JJ X 15, 5-HOLE BRIGHT HARD SUSP.-SPORT, GTU, GXI	6701-7101
			88FA-37-600	2	6JJ X 15, 5-HOLE POLISHED HARD SUSP.-SPORT, GTU, GXI	7101-
37 600Z		WHEEL, DISC.-ALUM.	9965-09-405	1	4T X 15, TEMP. COUPE, NORM SUSP.	-7601
52 398		PAD, TANK PROTECTOR	0866-52-398A	1		
56 170A		BOLT, JACK SET	FB01-56-177	1		
56 172		WELT, SEAMING-JACK	FB01-56-172A	1		
56 176		HOLDER, JACK HANDLE	FB01-56-176	1		
56 210B		CLAMP, SPARE TIRE	FB67-56-960A	1	L=110MM, CONV.	8A25-
			FB67-56-971	1	CONV.	
			FB01-56-971	1	COUPE	
			FB02-56-961A	1	L-159MM NORM. SUSP.-BASE, SE, LX	
			FB01-56-961B	1	L-165MM HARD SUSP.-SPORT, GTU, GXI	
				1	CONV.	
68 071		WRENCH, WHEEL CAP	F057-68-071	1		
68 800A		JACK	FB07-37-790A	1		
68 810A		HANDLE, JACK	FB01-37-810	1		
6701	FC33*	-500010				
7101	FC33*	-528625				
7601	FC33*	-550168				
8A25	FC351	-108679				

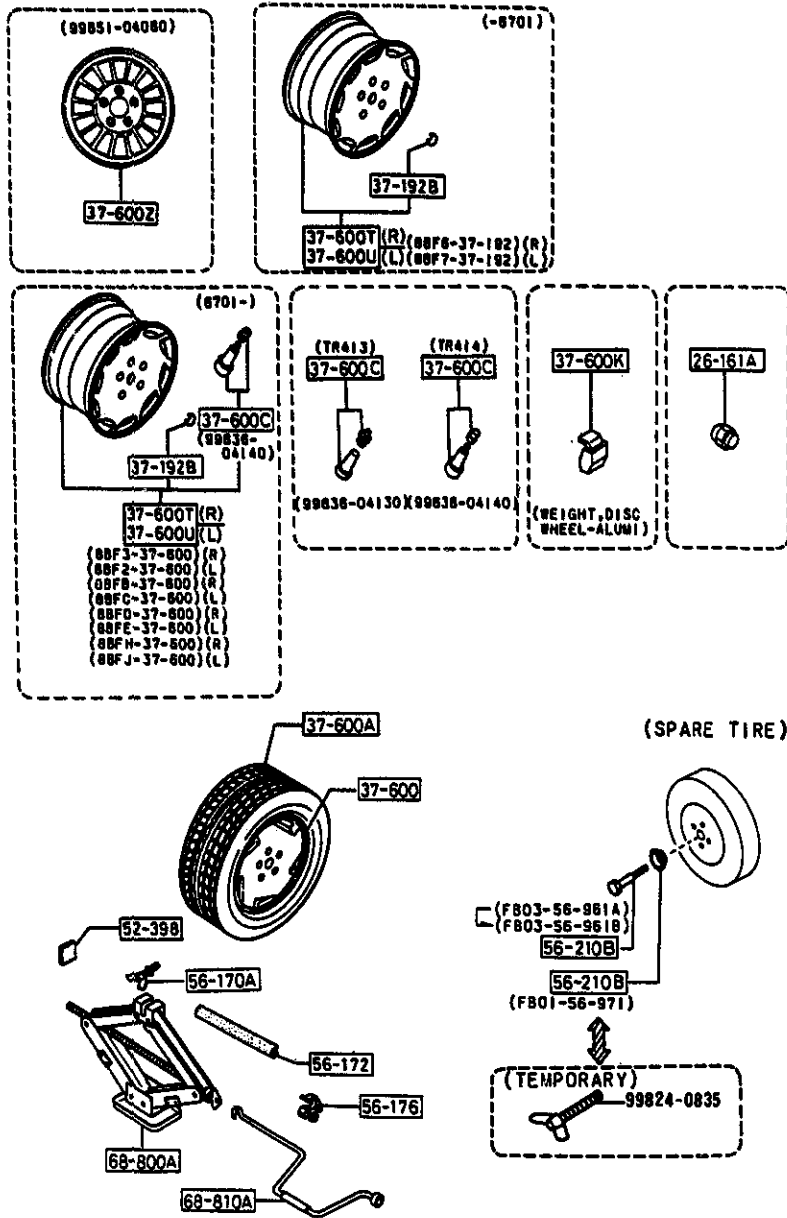
3700A-1 TIRES & JACK (TURBO)



ITEM NO.	D-CODE	DESCRIPTION	PART NO.	QTY	MODEL/DESCRIPTION	REMARKS
26 161A		NUT, HUB	B002-37-160	20	PLATED	
37 192B		EMBLEM, CENTER	FB79-37-192	4	FOR 7JJ X 16, ALUM. WHITE 10TH ANNIV. ED.	
			FB01-37-192B	4	FOR 6JJ X 15 & 7JJ X 16 ALUM.	-7101
			F055-37-192	4	FOR 6JJ X 15 & 7JJ X 16 ALUM.	7101-
37 600A		TIRE	0000-78-5755	1	T135/70D16, TEMP.	
		REFER TO ACC. BULL. NO. XE-1 FOR MORE INFO.				
			0000-78-0208	4	20S/55VR16	
37 600C		VALVE, AIR	9963-60-413	4		
37 600K		WEIGHT, DISC WHEEL-ALUM.	9965-59-0005	4	5G FOR 1-PIECE WHL.	
			9965-59-0010	4	10G FOR 1-PIECE WHL.	
			9965-59-0015	4	15G FOR 1-PIECE WHL.	
			9965-59-0020	4	20G FOR 1-PIECE WHL.	
			9965-59-0025	4	25G FOR 1-PIECE WHL.	
			9965-59-0030	4	30G FOR 1-PIECE WHL.	
			9965-59-0035	4	35G FOR 1-PIECE WHL.	
			9965-59-0040	4	40G FOR 1-PIECE WHL.	
			9965-59-0045	4	45G FOR 1-PIECE WHL.	
			9965-59-0050	4	50G FOR 1-PIECE WHL.	
			9965-59-0055	4	55G FOR 1-PIECE WHL.	
			9965-59-0060	4	60G FOR 1-PIECE WHL.	
37 600T		WHEEL SET (R), DISC-ALUM.	88FH-37-600	2	7JJ X 16, 10TH ANNIV. ED.	
		REFER TO PARTS BULL. NO. T-2-1 FOR MORE WHEEL INFO.				
			88F6-37-192	2	7JJ X 16, PEWTER	-6701
			88F3-37-600	2	7JJ X 16, BRIGHT	6701-7101
			88FB-37-600	2	7JJ X 16, POLISHED	7101-7701
			88FD-37-600	2	7JJ X 16, POLISHED	7701-
37 600U		WHEEL SET (L), DISC-ALUM.	88F1-37-600	2	7JJ X 16, 10TH ANNIV. ED.	
		REFER TO PARTS BULL. NO. T-2-1 FOR MORE WHEEL INFO.				
			88F7-37-192	2	7JJ X 16, PEWTER	-6701
			88F2-37-600	2	7JJ X 16, BRIGHT	6701-7101
			88FC-37-600	2	7JJ X 16, POLISHED	7101-7701
			88FE-37-600	2	7JJ X 16, POLISHED	7701-
37 600Z		WHEEL, DISC-ALUM.	9965-10-406	1	4T X 16, TEMP.	
52 398		PAD, TANK PROTECTOR	0866-52-398A	1		
56 170A		BOLT, JACK SET	F801-56-177	1		

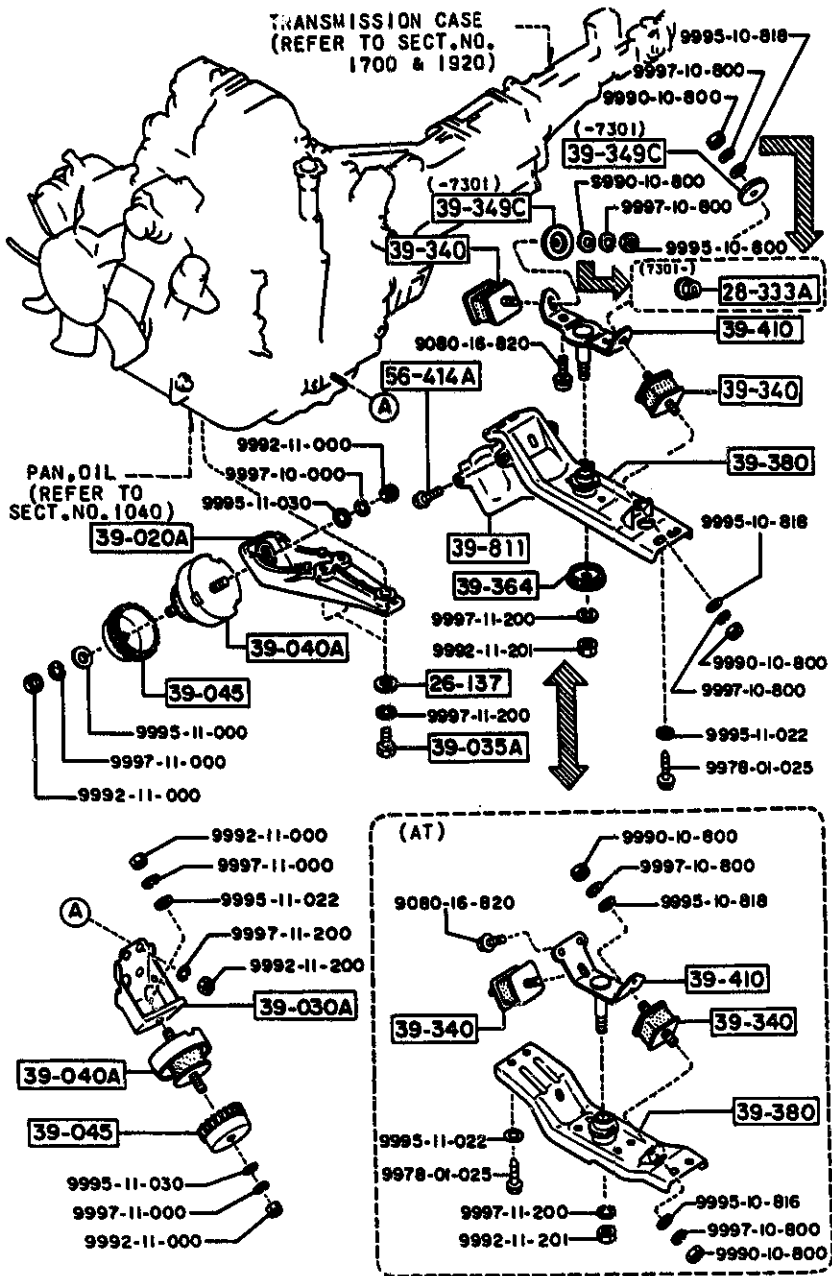
6701 FC33* -500010
 7101 FC33* -528625
 7701 FC33* -550169

**3700A-2 TIRES & JACK
(TURBO)**



ITEM NO.	D-CODE	DESCRIPTION	PART NO.	QTY	MODEL/DESCRIPTION	REMARKS
56 172		WELT, SEAMING-JACK	FB01-56-172A	1		
56 176		HOLDER, JACK HANDLE	FB01-56-176	2		
56 210B		CLAMP, SPARE TIRE	FB01-56-971	1	10TH ANNIV. ED.	
			FB03-56-961B	1	L=178MM	
68 800A		JACK	FB07-37-790A	1		
68 810A		HANDLE, JACK	FB01-37-810	1		

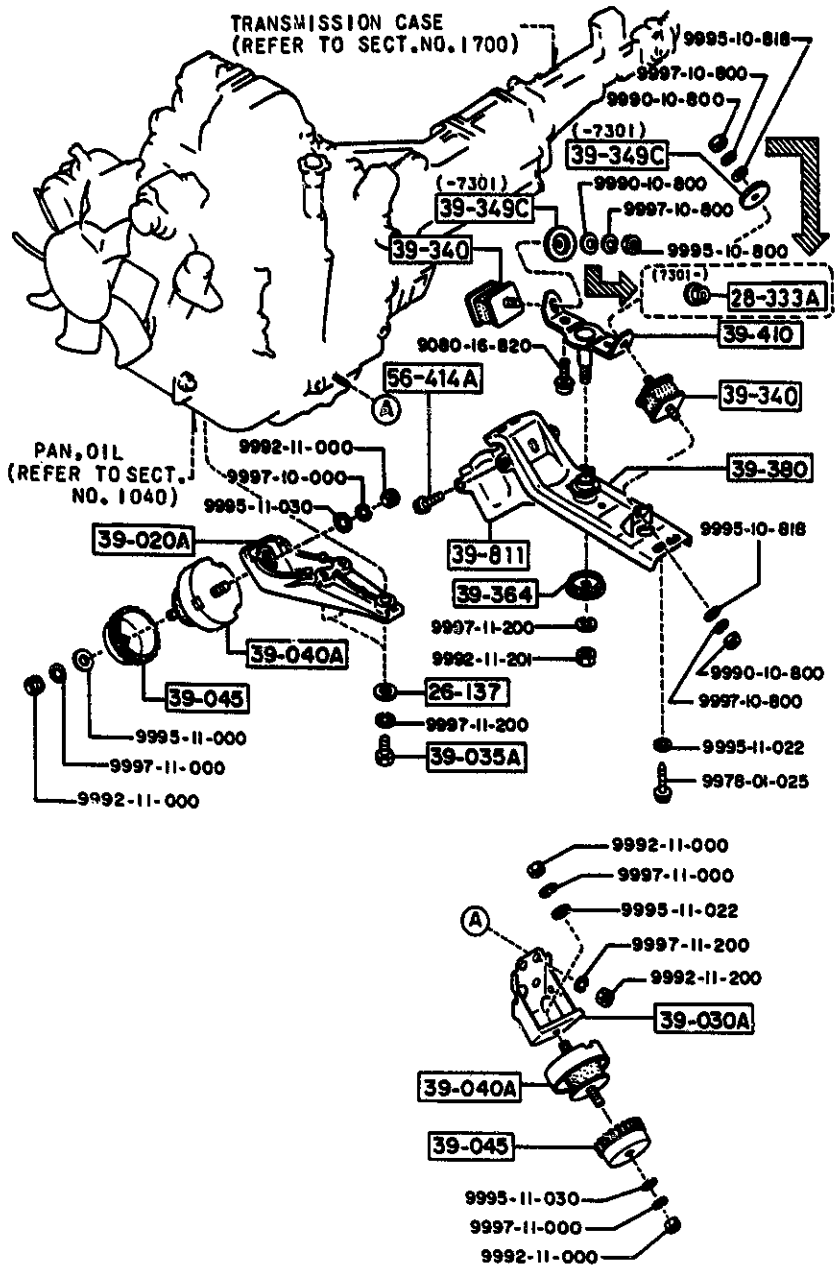
3900B-1 ENGINE & TRANSMISSION MOUNTINGS (W/O TURBO)



ITEM NO.	D-CODE	DESCRIPTION	PART NO.	QTY	MODEL/DESCRIPTION	REMARKS
26 137		WASHER, PLAIN-LOWER ARM	FB01-26-137	3		
28 333A		NUT, FLANGE	H001-28-333	2	M/T	7301-
39 020A		BRACKET (R), ENGINE	FB01-39-021A	1		
39 030A		BRACKET (L), ENGINE	FB01-39-031	1		
39 035A		BOLT	FB01-39-022	3		
39 040A		RUBBER, ENGINE MOUNTING	FB67-39-040A	2	CONVERTIBLE	
			FB01-39-040A	2	COUPE	
39 045		CASING, STOPPER	3975-39-045	2		
39 340		RUBBER, TRANSMISSION MOUNTING	FB01-39-340A	2	COUPE, M/T	
			FB67-39-340A	2	CONVERTIBLE	
39 349C		WEIGHT, TRANSMISSION BRACKET	FB01-39-349	2	M/T	-7301
39 364		WASHER	FB01-39-364	1		
39 380		MEMBER, TRANSMISSION MOUNTING	FB01-39-370D	1	M/T	
			FB02-39-370C	1	A/T	
39 410		BRACKET, TRANSMISSION MOUNTING	FB01-39-350A	1	M/T	
			FB02-39-350A	1	A/T	
39 811		INSULATOR	FB01-39-385	1	M/T	
56 414A		BOLT, SILENCER	FB01-56-416	3	M/T	

7301 FC33* -537230

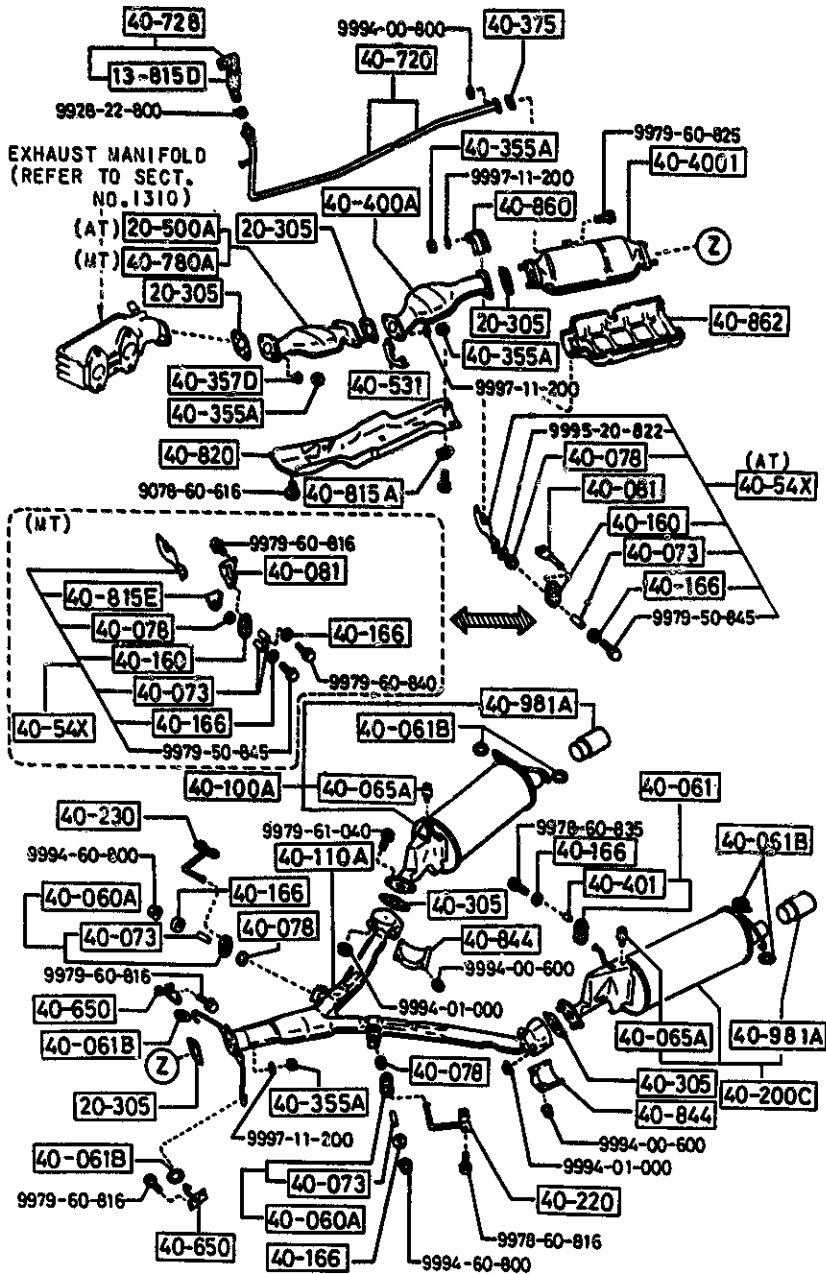
3900BA-1 ENGINE & TRANSMISSION MOUNTINGS (TURBO)



ITEM NO.	D-CODE	DESCRIPTION	PART NO.	QTY	MODEL/DESCRIPTION	REMARKS
26 137		WASHER, PLAIN-LOWER ARM	FB01-26-137	3		
28 333A		NUT, FLANGE	H001-28-333	2		7301-
39 020A		BRACKET (R), ENGINE	FB01-39-021A	1		
39 030A		BRACKET (L), ENGINE	FB01-39-031	1		
39 035A		BOLT	FB01-39-022	3		
39 040A		RUBBER, ENGINE MOUNTING	FB01-39-040A	2		
39 045		CASING, STOPPER	3975-39-045	2		
39 340		RUBBER, TRANSMISSION MOUNTING	FB01-39-340A	2		
39 349C		WEIGHT, TRANSMISSION BRACKET	FB01-39-349	2		-7301
39 364		WASHER	FB01-39-364	1		
39 380		MEMBER, TRANSMISSION	F044-39-370D	1		
39 410		BRACKET, TRANSMISSION MOUNTING	FB01-39-350A	1		
39 811		INSULATOR	FB01-39-385	1		
56 414A		BOLT, SILENCER	FB01-56-416	3		

7301 FC33* -537230

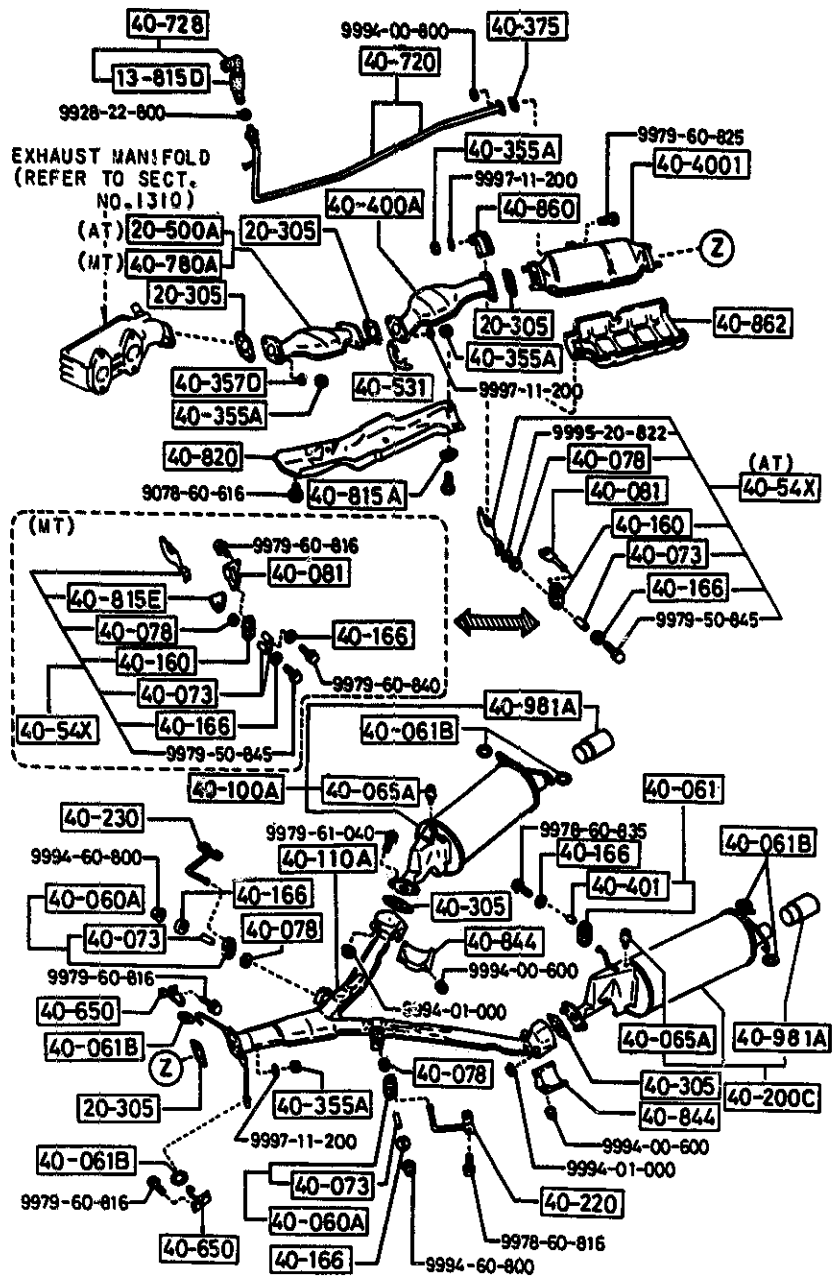
**400B-1 EXHAUST SYSTEM
(W/O TURBO)**



ITEM NO.	D-CODE	DESCRIPTION	PART NO.	QTY	MODEL/DESCRIPTION	REMARKS
13 815D		PROTECTOR, AIR HOSE	N326-13-815	1		6101-
20 305		GASKET, EXHAUST PIPE-CONVERTER	N326-40-305	4		
20 500A		CONVERTER, MONOLITH	N327-20-500	1	A/T	
40 060A		HANGER, SILENCER	N326-40-060B	2		
40 061		HANGER, SILENCER	N328-40-060	2		
40 061B		RUBBER, HANGER	N225-40-061	6		
40 065A		RUBBER, STOPPER	N326-40-065	2		SC01-
40 073		SPACER	N304-40-073A	3	A/T	
				4	M/T	
40 078		GASKET	N304-40-078A	3		
40 081		BRACKET	N326-40-080	1	M/T	
			N327-40-080	1	A/T	
40 100A		SILENCER (R), MAIN	N338-40-100B	1	CONVERTIBLE	
			N326-40-100L	1	COUPE	
40 110A		PIPE, MIDDLE	N319-40-600B	1	CONVERTIBLE	
			N326-40-600E	1	COUPE	
40 160		HANGER, SILENCER	N304-40-161A	1	A/T	
			1114-40-160	1	M/T	
40 166		WASHER	0820-40-166	3	A/T	
				6	M/T	
40 200C		SILENCER (L), MAIN	N338-40-200A	1	CONVERTIBLE	
			N338-40-200B	1		
			N326-40-200J	1	COUPE	
40 220		BRACKET, HANGER	N326-40-69XB	1		
40 230		BRACKET, HANGER	N326-40-690B	1		
40 305		GASKET	N327-40-305	2		
40 355A		NUT	8118-40-355	8		
40 357D		WASHER	N326-40-357	2		
40 375		GASKET	1480-40-375	1		
40 4001		CONVERTER, MONOLITH	N326-20-600A	1		
40 400A		CONVERTER NO. 2, PRE	N326-20-550	1		
40 401		INSULATOR	0820-40-165	2		
40 54X		BRACKET, HANGER-MONOLITHIC CONVERTER	N326-40-54X	1	M/T	
			N327-40-54X	1	A/T	
40 650		BRACKET, HANGER	N326-40-640	2		
40 720		PIPE, AIR	N338-20-840	1	CONVERTIBLE	
			N326-20-840B	1	COUPE	
40 728		HOSE, AIR	N326-20-750	1		
40 780A		CONVERTER NO. 1, PRE	N326-20-500A	1	M/T	

5C01 FC33* -118628
6101 FC33* -124137

**4000B-2 EXHAUST SYSTEM
(W/O TURBO)**



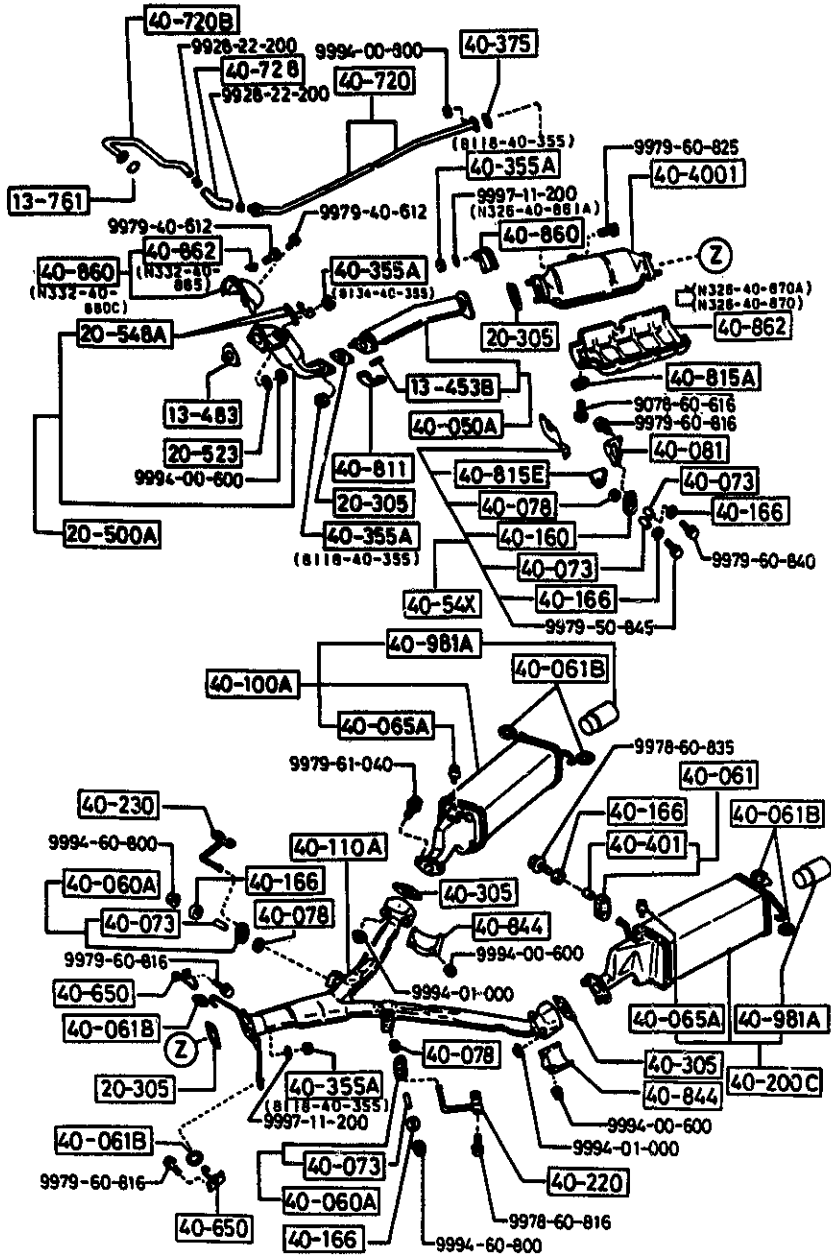
ITEM NO.	D-CODE	DESCRIPTION	PART NO.	QTY	MODEL/DESCRIPTION	REMARKS
40 815A		WASHER	1480-40-815	2		
40 815E		PROTECTOR, HANGER BRACKET	N326-40-815	1	M/T	
40 820		PROTECTOR NO. 2	N326-40-874B	1		
40 844		PROTECTOR, MIDDLE PIPE-LOW	N326-40-844	2		-7401
40 860		PROTECTOR, CONVERTER	N326-40-861A	1		
40 862		PROTECTOR, CONVERTER	N326-40-870A	1		
40 981A		GARNISH, TAIL PIPE	N326-40-990A	2		-6701
			N326-40-990C	2		6701-

6701 FC33* -500010
7401 FC33* -543109

SECTION INDEX -- CHASSIS

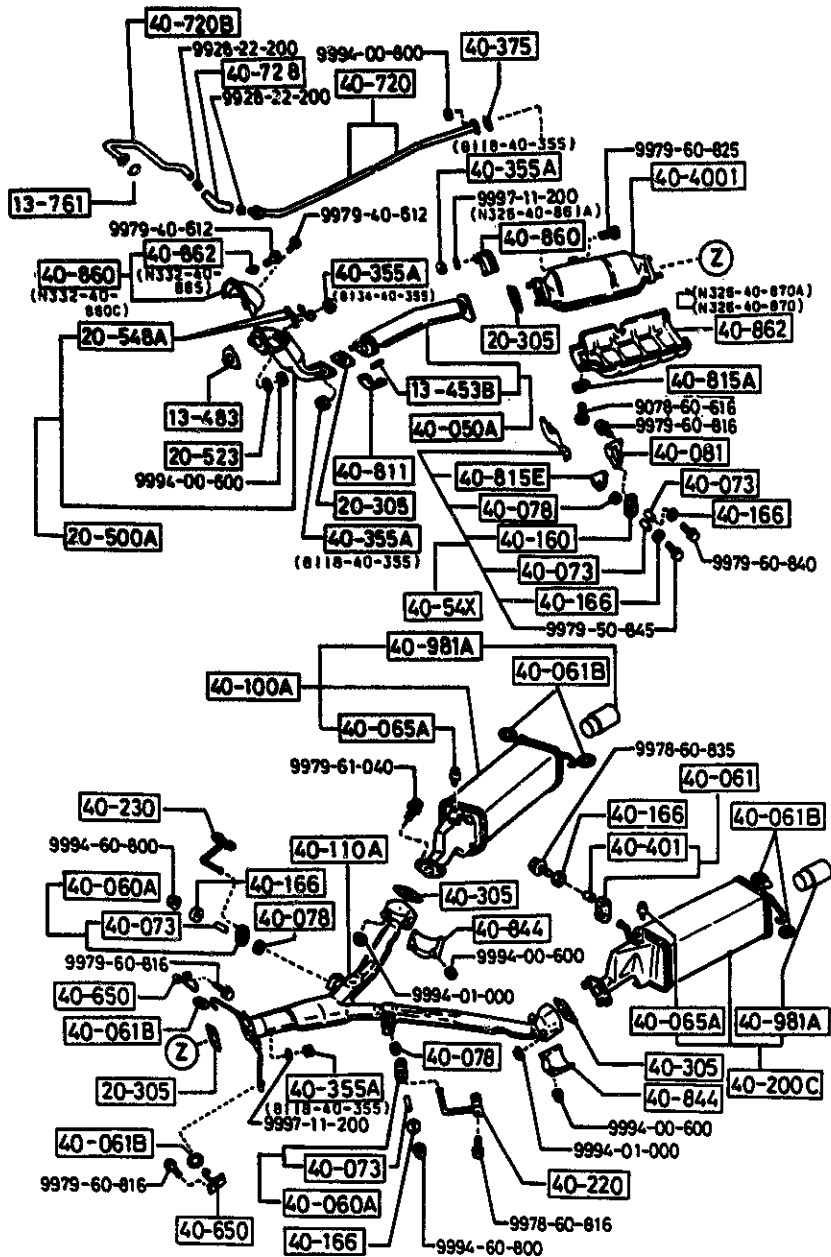
STARTING LOCATION	SECT. NO.	SECTION NAME	STARTING LOCATION	SECT. NO.	SECTION NAME	STARTING LOCATION	SECT. NO.	SECTION NAME
1 - C11	2500	DRIVESHAFT	1 - L14	4000B	EXHAUST SYSTEM (W/O TURBO)			
1 - D11	2550	REAR DRIVESHAFTS						
1 - E11	2600	REAR AXLE	1 - C15	4000BA	EXHAUST SYSTEM (TURBO)			
1 - F11	2610	REAR BRAKE MECHANISMS	1 - E15	4140B	CLUTCH RELEASE & MASTER CYLINDERS (MANUAL TRANSMISSION)			
1 - H11	2710	REAR DIFFERENTIALS (W/O TURBO)(NORMAL DIFFERENTIAL)	1 - F15	4160	ACCELERATOR CONTROL SYSTEM			
1 - J11	2710A	REAR DIFFERENTIALS (W/O TURBO)(LIMITED-SLIP DIFFERENTIAL)	1 - G15	4200	FUEL TANK			
1 - L11	2710C	REAR DIFFERENTIALS (TURBO)(LIMITED-SLIP DIFFERENTIAL)	1 - H15	4300	CLUTCH & BRAKE PEDALS			
1 - N11	2800	REAR SUSPENSION MECHANISMS (W/O TURBO) (W/O AUTOMATIC ADJUSTING SUSPENSION)	1 - J15	4340	BRAKE MASTER CYLINDER & POWER BRAKE (W/O ANTI-LOCK BRAKE SYSTEM)			
1 - C12	2800A	REAR SUSPENSION MECHANISMS (W/O TURBO) (FOR AUTOMATIC ADJUSTING SUSPENSION)	1 - L15	4340A	BRAKE MASTER CYLINDER & POWER BRAKE (ANTI-LOCK BRAKE SYSTEM)			
1 - D12	2800B	REAR SUSPENSION MECHANISMS (TURBO)	1 - N15	4360	BRAKE PIPINGS (W/O ANTI-LOCK BRAKE SYSTEM)			
1 - E12	2810	REAR STABILIZER						
1 - F12	2830	REAR LOWER ARMS & SUB-FRAME	1 - C16	4360A	BRAKE PIPINGS (ANTI-LOCK BRAKE SYSTEM)			
1 - H12	3200	STEERING WHEEL	1 - D16	4370	ANTI-LOCK BRAKE SYSTEMS			
1 - I12	3210	STEERING COLUMN & SHAFTS	1 - F16	4400	PARKING BRAKE SYSTEM			
1 - J12	3210A	STEERING COLUMN & SHAFTS (W/ POWER STEERING)	1 - G16	4500B	FUEL PIPINGS (W/O ANTI-LOCK BRAKE SYSTEM)			
1 - K12	3220	STEERING GEAR (W/O POWER STEERING)	1 - H16	4500BA	FUEL PIPINGS (ANTI-LOCK BRAKE SYSTEM)			
1 - L12	3220A	STEERING GEAR (W/ POWER STEERING)	1 - I16	4600	CHANGE CONTROL SYSTEM (AUTOMATIC TRANSMISSION*)			
1 - M12	3230	STEERING LINKAGE SYSTEM						
1 - C13	3240	POWER STEERING SYSTEM						
1 - E13	3300	FRONT AXLE & BRAKE MECHANISMS (FOR NORMAL SUSPENSION)						
1 - I13	3300A	FRONT AXLE & BRAKE MECHANISMS (FOR HARD SUSPENSION) (W/O ANTI-LOCK BRAKE SYSTEM)						
1 - K13	3300B	FRONT AXLE & BRAKE MECHANISMS (FOR HARD SUSPENSION) (ANTI-LOCK BRAKE SYSTEM)						
1 - M13	3400	FRONT SUSPENSION MECHANISMS (W/O TURBO) (W/O AUTOMATIC ADJUSTING SUSPENSION)						
1 - N13	3400A	FRONT SUSPENSION MECHANISMS (W/O TURBO) (FOR AUTOMATIC ADJUSTING SUSPENSION)						
1 - C14	3400B	FRONT SUSPENSION MECHANISMS (TURBO)						
1 - D14	3410	CROSSMEMBER & STABILIZER						
1 - E14	3700	TIRES & JACK (W/O TURBO)						
1 - H14	3700A	TIRES & JACK (TURBO)						
1 - J14	3900B	ENGINE & TRANSMISSION MOUNTINGS (W/O TURBO)						
1 - K14	3900BA	ENGINE & TRANSMISSION MOUNTINGS (TURBO)						

4000BA-1 EXHAUST SYSTEM (TURBO)



ITEM NO.	D-CODE	DESCRIPTION	PART NO.	QTY	MODEL/DESCRIPTION	REMARKS
13 453B		STUD	N326-40-353	2		
13 483		GASKET, EXHAUST PIPE	N318-13-491A	1		
13 761		GASKET	N318-13-164A	1		
20 305		GASKET, EXHAUST PIPE-CONVERTER	N326-40-305	3		
20 500A		CONVERTER, MONOLITH	N332-20-500	1		
20 523		WASHER, PLAIN	E508-20-523	3		-6401
20 548A		WASHER, LOCK	N319-13-457B	2		
40 050A		PIPE, EXHAUST-FRONT	N332-40-500A	1		
40 060A		HANGER, SILENCER	N326-40-060	2		
40 061		HANGER, SILENCER	N328-40-060B	2		
40 061B		RUBBER, HANGER	N225-40-061	6		
40 065A		RUBBER, STOPPER	N326-40-065	2		
40 073		SPACER	N304-40-073A	4		
40 078		GASKET	N304-40-078A	3		
40 081		BRACKET	N326-40-080	1		
40 100A		SILENCER (R), MAIN	N332-40-100D N332-40-100E	1 1		-7701 7701-
40 110A		PIPE, MIDDLE	N326-40-600E N319-40-600B	1 1		
40 160		HANGER, SILENCER	1114-40-161	1		
40 166		WASHER	0820-40-166	6		
40 200C		SILENCER (L), MAIN	N332-40-200E N332-40-200F	1 1		
40 220		BRACKET, HANGER	N326-40-69XB	1		
40 230		BRACKET, HANGER	N326-40-690B	1		
40 305		GASKET	N327-40-305	2		
40 355A		NUT	8118-40-355 8134-40-355	6 3		
40 375		GASKET	1480-40-375	1		
40 4001		CONVERTER, MONOLITH	N332-20-600	1		
40 401		INSULATOR	0820-40-165	2		
40 54X		BRACKET, HANGER-MONOLITH CONVERTER	N326-40-54X	1		
40 650		BRACKET, HANGER	N326-40-640	2		
40 720		PIPE, AIR	N332-20-840A	1		
40 720B		PIPE, AIR	N332-20-850A	1		
40 728		HOSE, AIR	N332-13-814A	1		
40 811		PROTECTOR, FRONT PIPE	N332-40-823A	1		
40 815A		WASHER	1480-40-815	2		
40 815E		PROTECTOR, HANGER BRACKET	N326-40-815	1		
40 844		PROTECTOR, MIDDLE PIPE-LOWER	N326-40-844	2		-7401
6401	FC33*	-140158				
7401	FC33*	-543109				
7701	FC33*	-550169				

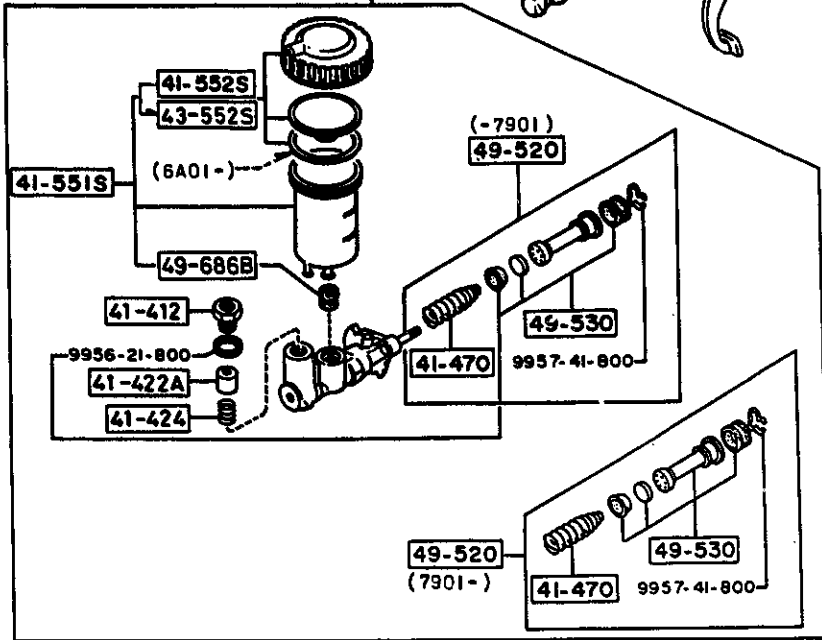
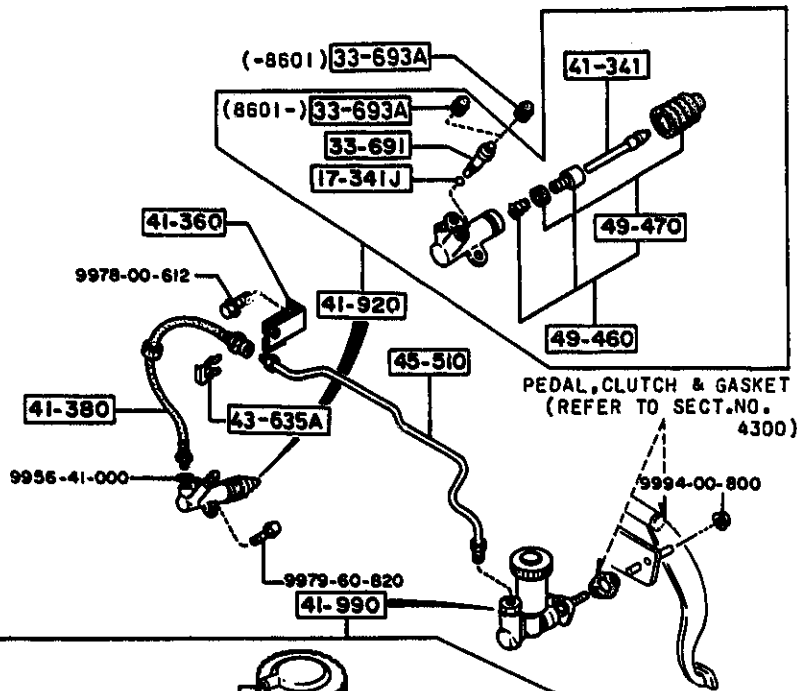
4000BA-2 EXHAUST SYSTEM (TURBO)



ITEM NO.	D-CODE	DESCRIPTION	PART NO.	QTY	MODEL/DESCRIPTION	REMARKS
40 860		PROTECTOR, CONVERTER	N332-40-860C	1		
			N326-40-861A	1		
40 862		PROTECTOR, CONVERTER	N332-40-865	1		
			N326-40-870A	1		
40 981A		GARNISH, TAIL PIPE	N332-40-990A	2		

4140B-1

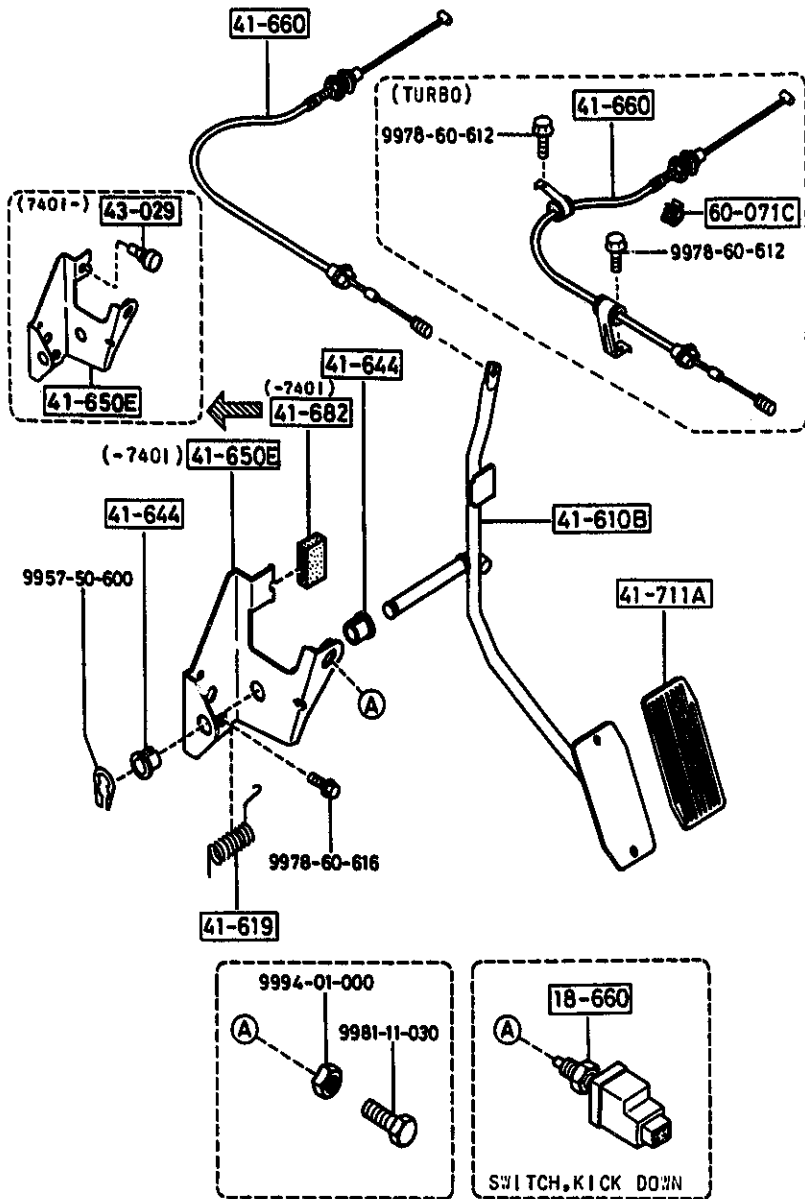
CLUTCH RELEASE & MASTER CYLINDERS
(MANUAL TRANSMISSION)



ITEM NO.	D-CODE	DESCRIPTION	PART NO.	QTY	MODEL/DESCRIPTION	REMARKS
17	341J	BALL, STEEL	9961-11-500	1		
33	691	SCREW, BLEEDER	0259-33-691	1		
33	693A	CAP, BLEEDER SCREW	0259-33-693	1		
41	341	ROD, PUSH	H005-41-341	1		
41	360	HOLDER, CLUTCH	8871-41-370	1	W/O TURBO	
			F044-41-370A	1	TURBO	
41	380	HOSE, FLEXIBLE	FB01-41-380	1	W/O TURBO	
			F044-41-380B	1	TURBO	
41	412	BOLT, JOINT	W001-41-412	1		
41	422A	PISTON, O.W. VALVE	0813-41-422D	1		
41	424	SPRING, O.W. VALVE	H005-41-424	1		
41	470	SPRING	GA02-41-470	1		
41	551S	TANK SET, RESERVE	H115-49-570B	1		
41	552S	CAP SET, RESERVE TANK	B093-49-580	1		
41	920	CYLINDER, CLUTCH RELEASE	FB01-41-920A	1	W/O TURBO	
			F044-41-920C	1	TURBO	
41	990	CYLINDER, CLUTCH MASTER	FB01-41-400C	1		
43	552S	CAP SET, RESERVE TANK	B093-49-580	1		6A01-
43	635A	CLIP, FLEXIBLE HOSE	0136-43-635	1		
45	510	PIPE, CLUTCH	FB01-45-510A	1	W/O TURBO	
			FB44-45-510	1	TURBO	
49	460	PARTS KIT, INNER	FB01-49-460	1		
49	470	SEAL KIT	FB01-49-470	1		
49	520	PARTS KIT, INNER	FB01-49-520A	1		
49	530	SEAL KIT	FB01-49-530A	1		
49	686B	BUSHING, ELBOW JOINT	0305-49-686B	1		

6A01 FC33* -517640

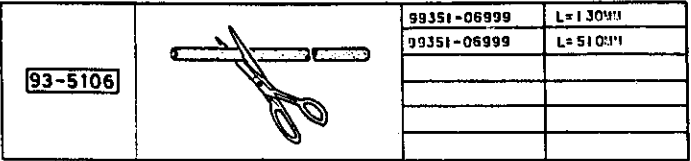
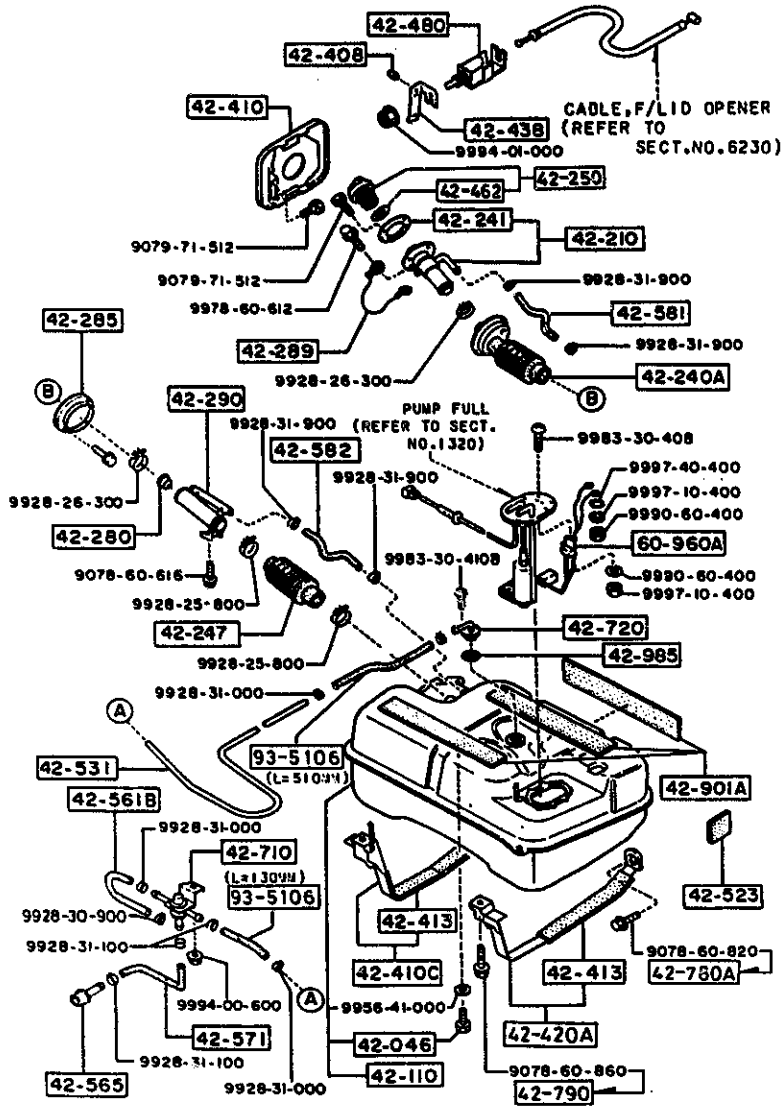
4160-1 ACCELERATOR CONTROL SYSTEM



ITEM NO.	D-CODE	DESCRIPTION	PART NO.	QTY	MODEL/DESCRIPTION	REMARKS
18 660		SWITCH, KICK DOWN	F034-66-470	1	M/T, W/ A.A.S. A/T	
41 610B		PEDAL & ARM	FB01-41-610	1		
41 619		SPRING, RETURN	8239-41-619	1		
41 644		BUSHING	B092-41-644	2		
41 650E		RETAINER, ACCELERATOR ROD	FB01-41-650	1		-7401
			FB01-41-650A	1		7401-
41 660		CABLE, ACCELERATOR	FB01-41-660D	1	W/O TURBO	
			FB44-41-660C	1	TURBO	
41 682		RUBBER, STOP	B001-41-652	1		-7401
41 711A		PAD, ACCELERATOR PEDAL	FA54-41-711A	1		
43 029		RUBBER, STOPPER	B001-43-029	1		7401-
60 071C		CLIP	UB40-60-071	1	TURBO	

7401 FC33* -543109

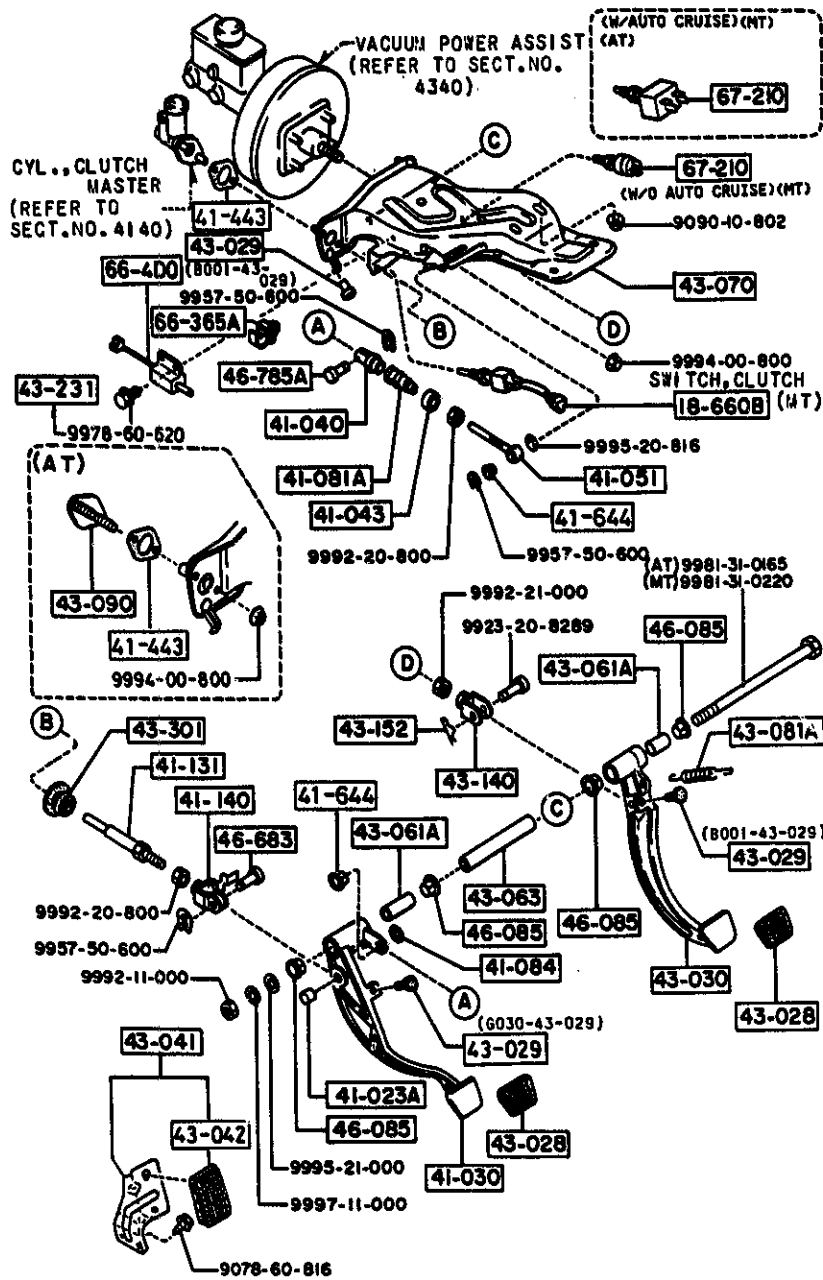
4200-1 FUEL TANK



ITEM NO.	D-CODE	DESCRIPTION	PART NO.	QTY	MODEL/DESCRIPTION	REMARKS
42 046		PLUG, DRAIN	BC88-42-045	1		
42 110		TANK, FUEL	FB01-42-110D	1		
42 210		PIPE, FILLER	FB01-42-210	1		-5910
			FB01-42-210A	1		5910-6501
			<C> FB01-42-210B	1	REQUIRES FB01-42-245A	6501-
42 240A		HOSE, JOINT-FILLER PIPE	FB01-42-240E	1		
42 241		GASKET, FILLER PIPE	0866-42-366B	1		
42 247		HOSE, JOINT-FUEL TANK SIDE	FB01-42-247A	1		
42 250		CAP, FILLER	FC01-42-250	1		
42 280		VALVE, NON-RETURN	GB53-42-270	1		
42 285		REINFORCEMENT, JOINT HOSE-FUEL	FB01-42-285	1		
42 289		WIRE, EARTH-FILLER PIPE	FB01-42-289	1		
42 290		PIPE, FILLER NO. 2	FB01-42-290	1		
42 408		STOPPER, FILLER LID	VA64-42-459	1		
42 410		LID, FUEL FILLER	FB01-42-410B	1		
42 410C		BAND (R), TANK FIXTURE	FB01-42-710	1		-6901
			FB01-42-710A	1		6901-
42 413		SHEET	FB01-42-715	2		
42 420A		BAND (L), TANK FIXTURE	FB01-42-720	1		-6901
			FB01-42-720A	1		6901-
42 438		SPRING, LIFT	FB01-42-451C	1		
42 480		OPENER, FILLER LID	G030-56-890B	1		-6101
			FB01-56-890	1		6101-
42 523		PAD, FUEL TANK	8531-42-762A	1		
42 531		PIPE, EVAPORATION	FB01-42-531B	1		
42 561B		HOSE, EVAPORATION	FB01-42-561A	1		
42 565		PLUG, DRAIN-VENTILATION HOSE	FB01-42-565	1		
42 571		HOSE, VENT	FB01-42-562	1		
42 581		HOSE, BREATHER	FB01-42-245	1		-6501
			FB01-42-245A	1		6501-
42 582		HOSE, BREATHER	FB01-42-248	1		
42 710		VALVE, CHECK	FB01-42-910	1		
42 720		VALVE-FUEL VAPOR	FB01-42-980	1		
42 780A		SCREW 'A', FIXING BAND	H260-42-780	2		6901-
42 790		SCREW 'B', FIXING BAND	H260-42-790	2		6901-
42 901A		INSULATOR	FB01-42-761	3		
42 985		GASKET, VAPOR VALVE	FB01-42-985	1		
60 960A		GAUGE, FUEL TANK	FB01-60-960B	1		
93 5106		HOSE	9935-10-6999	2		

5910 FC33* -103555
6101 FC33* -124137
6501 FC33* -146093
6901 FC33* -512255

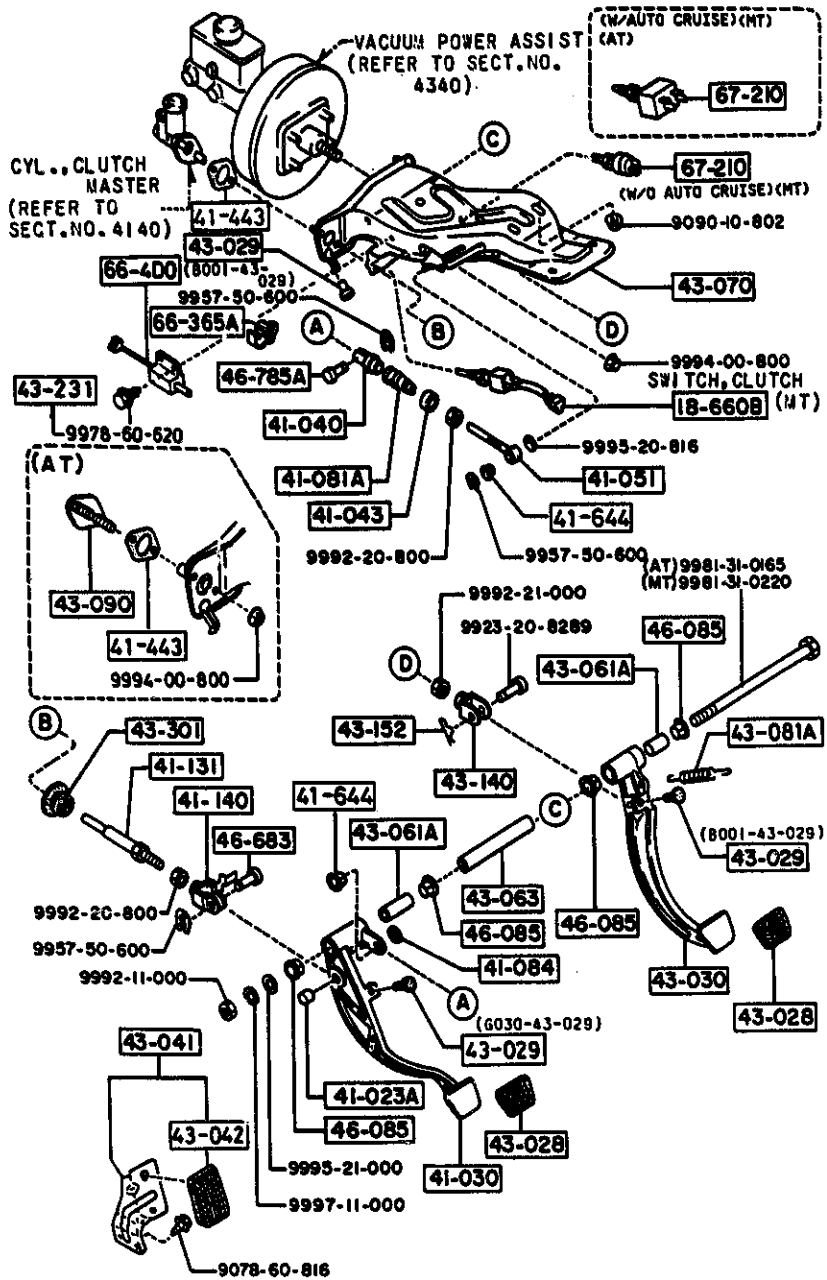
4300-1 CLUTCH & BRAKE PEDALS



ITEM NO.	D-CODE	DESCRIPTION	PART NO.	QTY	MODEL/DESCRIPTION	REMARKS
18 660B		SWITCH, CLUTCH	H005-66-190A	1	M/T	
41 023A		BUSHING	0727-41-023	1	M/T	
41 030		PEDAL, CLUTCH	FB01-41-031C	1	M/T	
41 040		SHEET, SPRING	W090-41-040	1	M/T	
41 043		SHEET, SPRING	0183-41-043	1	M/T	
41 051		ROD, CLUTCH PEDAL	0824-41-051A	1	M/T	
41 081A		SPRING, RETURN	0559-41-081A	1	M/T	
41 084		SPACER	0824-41-084	1	M/T	
41 131		ROD, PUSH	0727-41-131	1	M/T	
41 140		FORK, CLUTCH	0305-41-140	1	M/T	
			FB05-41-140A	1	M/T	-6625-
41 443		GASKET	H001-41-443	1		
41 644		BUSHING	0259-41-644	2	M/T	
43 028		PAD, PEDAL	FB01-43-028A	1	A/T	
			S083-43-028	2	M/T	
43 029		RUBBER, STOPPER	B001-43-029	1	A/T	
				2	M/T	
			G030-43-029	1	M/T	
43 030		PEDAL, BRAKE	FB01-43-031	1	M/T	
			FB02-43-031	1	A/T	
43 041		REST, FOOT	FB01-43-040B	1		
43 042		PAD, FOOT REST	FB01-43-042	1		
43 061A		PIPE, PEDAL	0866-43-062	1	A/T	
				2	M/T	
43 063		SPACER	FB01-43-063	1		6201-
43 070		BRACKET, MASTER CYLINDER	FB05-43-070A	1	M/T	
			FB01-43-070E	1	A/T	
43 081A		SPRING, RETURN-BRAKE	B092-41-081	1		
43 090		PLATE	FB02-43-090A	1	A/T	
43 140		FORK, BRAKE	FB01-43-140	1		
43 152		PIN, SNAP	D001-43-152	1		
43 231		BOLT, CLUTCH CUT SWITCH	GE68-43-231	2	M/T	6625-
43 301		PROTECTOR	H001-43-301	1	M/T	
46 085		BUSHING	1015-46-085	2	A/T	
				4	M/T	
46 683		PIN	0187-46-683	1	M/T	
46 785A		PIN	0604-46-785	1	M/T	
66 365A		CLIP	B258-66-365	1	M/T	6C01-
66 4D0		SWITCH, CLUTCH CUT	FB01-66-4D0	1	M/T	
67 210		SWITCH, LIGHT-BRAKE	B002-66-490A	1	M/T, W/O ACC	
			H003-66-490	1	M/T, W/ ACC	

6201 FC33* -129445
 6625 FC33* -157816
 6C01 FC33* -525576

4300-2 CLUTCH & BRAKE PEDALS



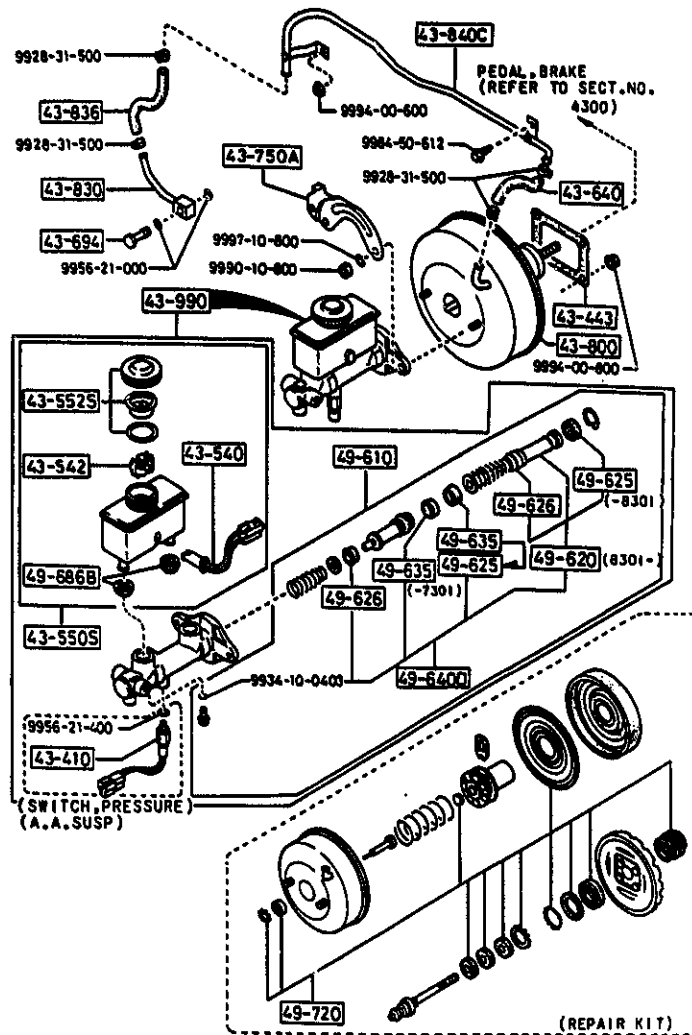
ITEM NO.	D-CODE	DESCRIPTION	PART NO.	QTY	MODEL/DESCRIPTION	REMARKS
67 210	(CONT'D)			1	A/T	

4340-1

**BRAKE MASTER CYLINDER & POWER BRAKE
(W/O ANTI-LOCK BRAKE SYSTEM)**

(W/O TURBO)

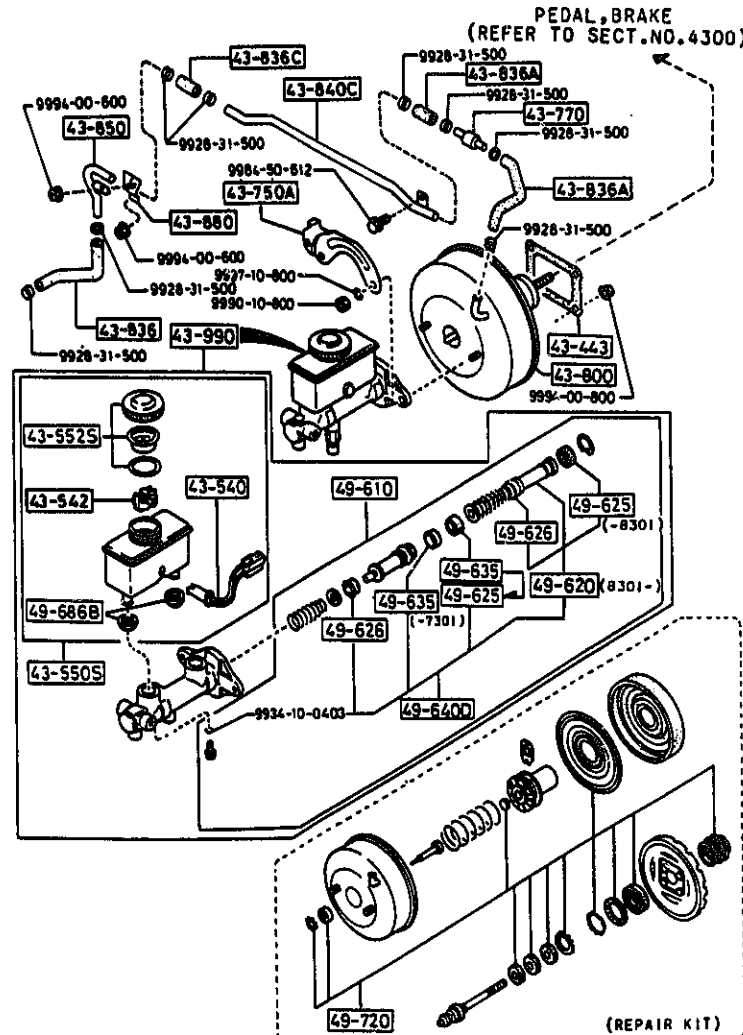
(THIS ILLUSTRATION CONSISTS OF 2 PAGES)



VEHICLE RESTRICTION			
BODY TYPE	HARD SUSP.	A. A. SUSP.	DISC WHEEL
COUPE	-	-	4 HOLES-14"
	x	-	5 HOLES-15"/16"
	x	x	5 HOLES-15"/16"
CONVERTIBLE	-	-	5 HOLES-15"

(TURBO)

(THIS ILLUSTRATION CONSISTS OF 2 PAGES)



VEHICLE RESTRICTION			
BODY TYPE	HARD SUSP.	A. A. SUSP.	DISC WHEEL
COUPE	-	-	4 HOLES-14"
	x	-	5 HOLES-15"/16"
	x	x	5 HOLES-15"/16"
CONVERTIBLE	-	-	5 HOLES-15"

4340-2

**BRAKE MASTER CYLINDER & POWER BRAKE
(W/O ANTI-LOCK BRAKE SYSTEM)**

ITEM NO.	D-CODE	DESCRIPTION	PART NO.	QTY	MODEL/DESCRIPTION	REMARKS
43 410		SWITCH, PRESSURE	FB07-43-410	1	W/ A.A.S.	
43 443		GASKET, VACUUM POWER ASSIST	H001-43-443	1		
43 540		INDICATOR, LEVEL	FB01-43-540	1		
43 550S		TANK SET, RESERVE	FB01-49-680	1		
43 552S		CAP SET, RESERVE TANK	8093-49-580	1		
43 640		HOSE, VACUUM	FB01-43-640	1	W/O TURBO	
43 694		BOLT, CONNECTOR	8573-43-694	1	W/O TURBO	
43 750A		HOLDER, P.B.V.	FB01-43-750	1		
43 770		VALVE, CHECK	FB44-43-770	1	TURBO	
43 800		VACUUM POWER ASSIST	FB01-43-800C FB05-43-800D	1 1	COUPE, NORM. SUSP. CONV. W/ HARD SUSP. NORM. SUSP.	
43 830		PIPE, VACUUM	FB01-43-830A	1	W/O TURBO	
43 836		HOSE, VACUUM	FB01-43-836 FB44-43-836B	1 1	W/O TURBO TURBO	
43 836A		HOSE, VACUUM	FB45-43-836A	2	TURBO	
43 836C		HOSE, VACUUM	2192-43-835A	1	TURBO	
43 840C		PIPE, VACUUM	FB01-43-840 FB44-43-840B	1 1	W/O TURBO TURBO	
43 850		PIPE, VACUUM	FB44-43-850B	1	TURBO	
43 880		BRACKET, VACUUM PIPE	FB44-43-880B	1	TURBO	
43 990		CYLINDER, TANDEM MASTER	FB02-43-400C FB08-43-400C	1 1	W/O A.A.S. W/ A.A.S.	
49 610		PARTS KIT, BRAKE MASTER	HA18-49-610	1		
49 625		CUP, SECONDARY	FB01-49-625	2		
49 626		CUP, PRIMARY	0305-49-626	2		
49 635		CUP, FLOATING	1708-49-635	2		
49 640D		PARTS KIT, INNER	HA18-49-640	1		
49 686B		BUSHING, ELBOW JOINT	0305-49-686B	2		
49 720		REPAIR KIT	FB01-49-720 FB05-49-720	1 1	COUPE, NORM. SUSP. CONV. W/ HARD SUSP. NORM. SUSP.	

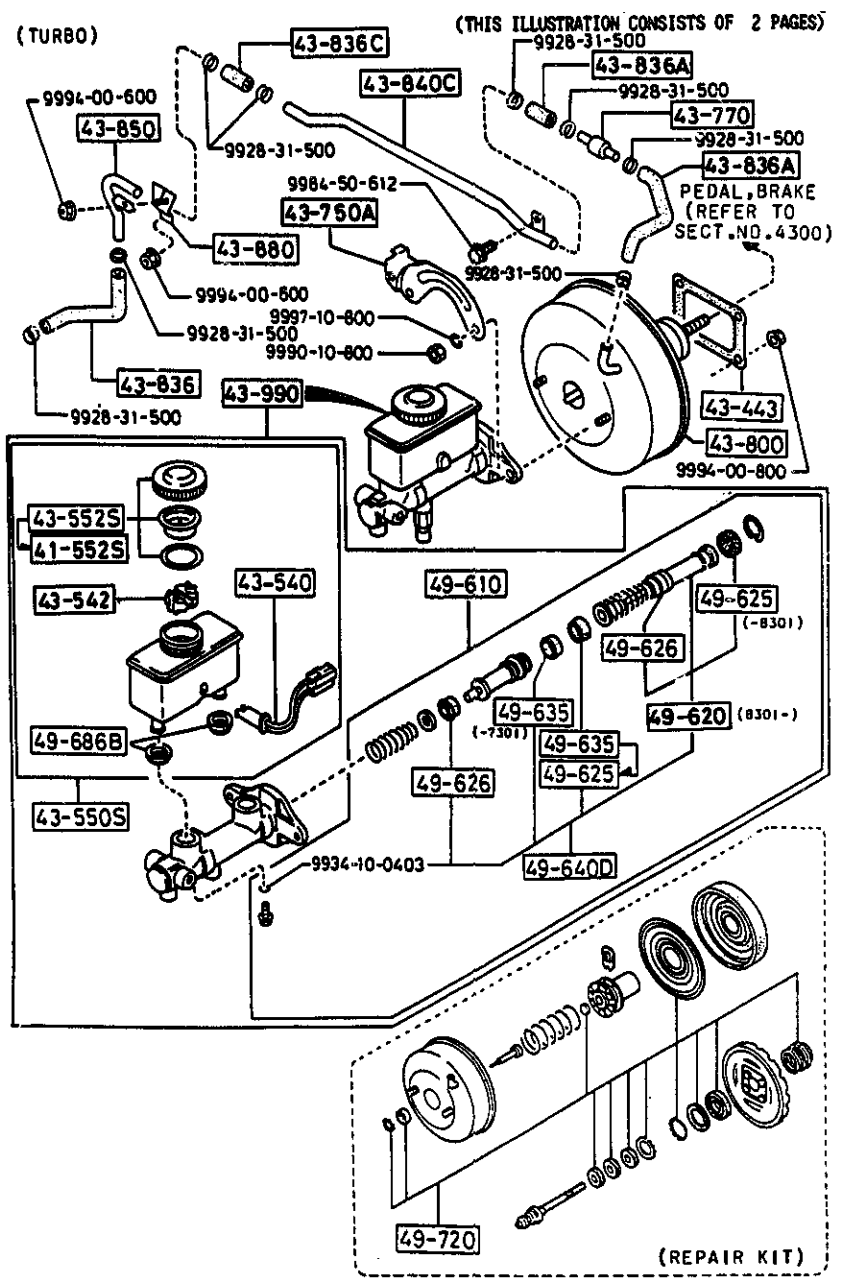
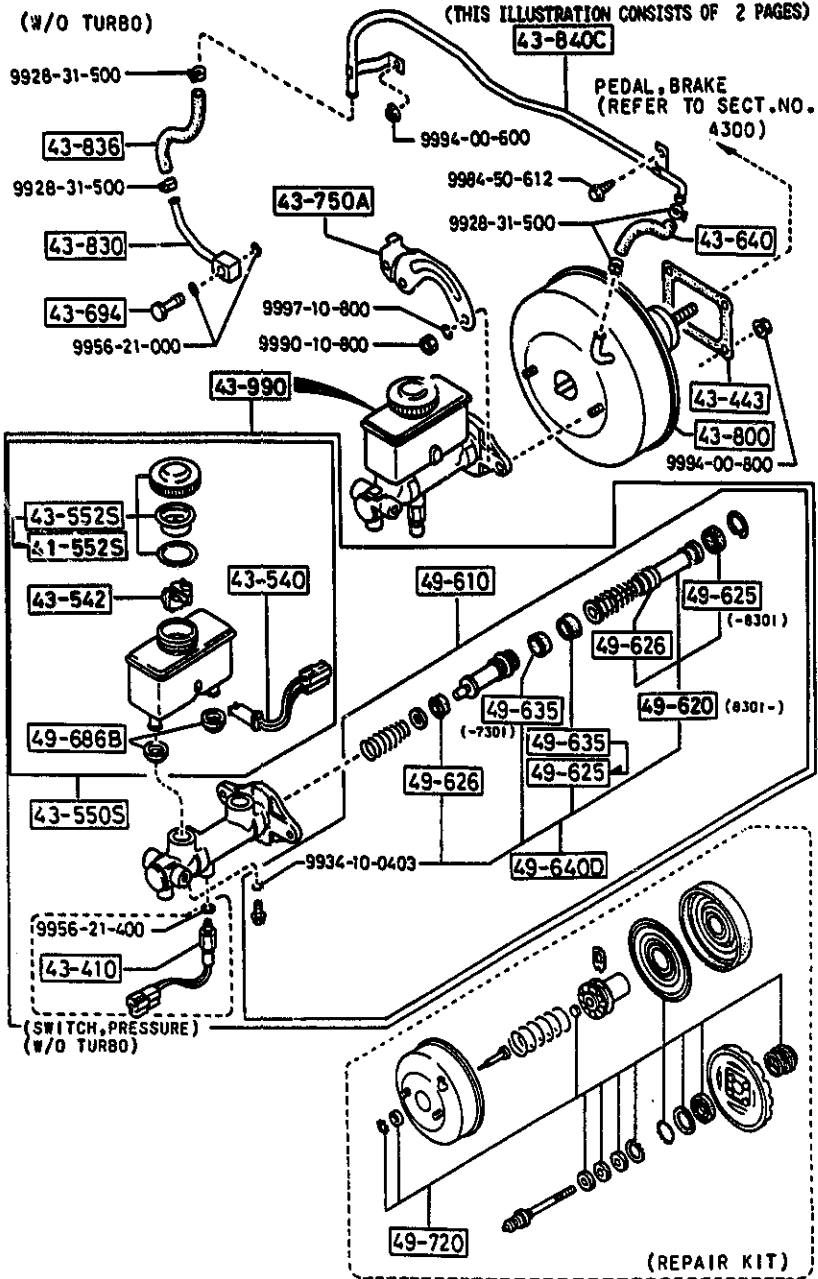
SEE ILLUSTRATION/S AT FRAME 1 - J15

-7301

7301 FC33* -537230

1 - K15

**4340A-1 BRAKE MASTER CYLINDER & POWER BRAKE
(ANTI-LOCK BRAKE SYSTEM)**



4340A-2

**BRAKE MASTER CYLINDER & POWER BRAKE
(ANTI-LOCK BRAKE SYSTEM)**

ITEM NO.	D-CODE	DESCRIPTION	PART NO.	QTY	MODEL/DESCRIPTION	REMARKS
41 5525		CAP SET, RESERVE TANK	B093-49-580	1		6A01-
43 410		SWITCH, PRESSURE	FB07-43-410	1	W/O TURBO	
43 443		GASKET, VACUUM POWER ASSIST	H001-43-443	1		
43 540		INDICATOR, LEVEL	FB01-43-540	1		
43 5505		TANK SET, RESERVE	F048-49-680	1		
43 5525		CAP SET, RESERVE TANK	GA02-49-580B	1		-6C01
43 640		HOSE, VACUUM	FB01-43-640	1	W/O TURBO	
43 694		BOLT, CONNECTOR	8573-43-694	1	W/O TURBO	
43 750A		HOLDER, P.B.V.	FB01-43-750	1		
43 770		VALVE, CHECK	FB44-43-770	1	TURBO	
43 800		VACUUM POWER ASSIST	FB05-43-800D	1		
43 830		PIPE, VACUUM	FB01-43-830A	1	W/O TURBO	
43 836		HOSE, VACUUM	FB01-43-836	1	W/O TURBO	
			FB44-43-836B	1	TURBO	
43 836A		HOSE, VACUUM	FB45-43-836A	2	TURBO	
43 836C		HOSE, VACUUM	2192-43-835A	1	TURBO	
43 840C		PIPE, VACUUM	FB01-43-840	1	W/O TURBO	
			FB44-43-840B	1	TURBO	
43 850		PIPE, VACUUM	FB44-43-850B	1	TURBO	
43 880		BRACKET, VACUUM PIPE	FB44-43-880B	1	TURBO	
43 990		CYLINDER, TANDEM MASTER	FB55-43-400A	1	W/O TURBO	
			FB60-43-400A	1	TURBO	
49 610		PARTS KIT, BRAKE MASTER	HA18-49-610	1		
49 625		CUP, SECONDARY	FB01-49-625	2		
49 626		CUP, PRIMARY	0305-49-626	2		
49 635		CUP, FLOATING	1708-49-635	2		-7301
49 640D		PARTS KIT, INNER	HA18-49-640	1		
49 686B		BUSHING, ELBOW JOINT	0305-49-686B	2		
49 720		REPAIR KIT	FB05-49-720	1		

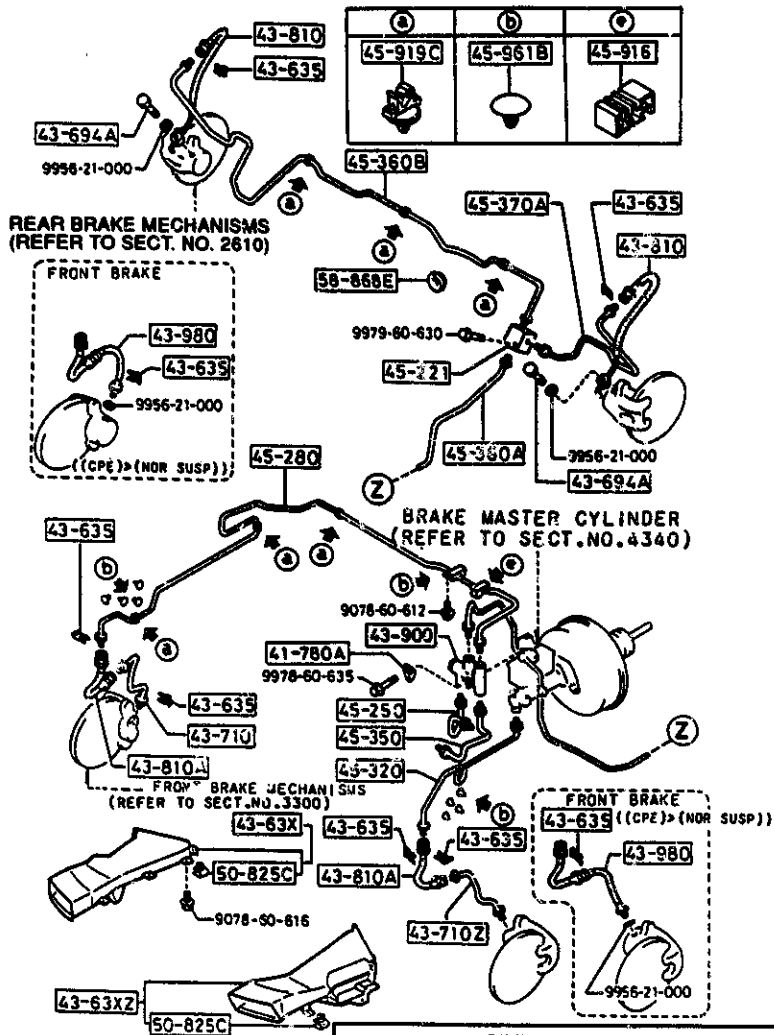
SEE ILLUSTRATION/S AT FRAME 1 - L15

6A01 FC33* -517640
6C01 FC33* -525576
7301 FC33* -537230

1 - M15

4360-1

**BRAKE PIPINGS
(W/O ANTI-LOCK BRAKE SYSTEM)**



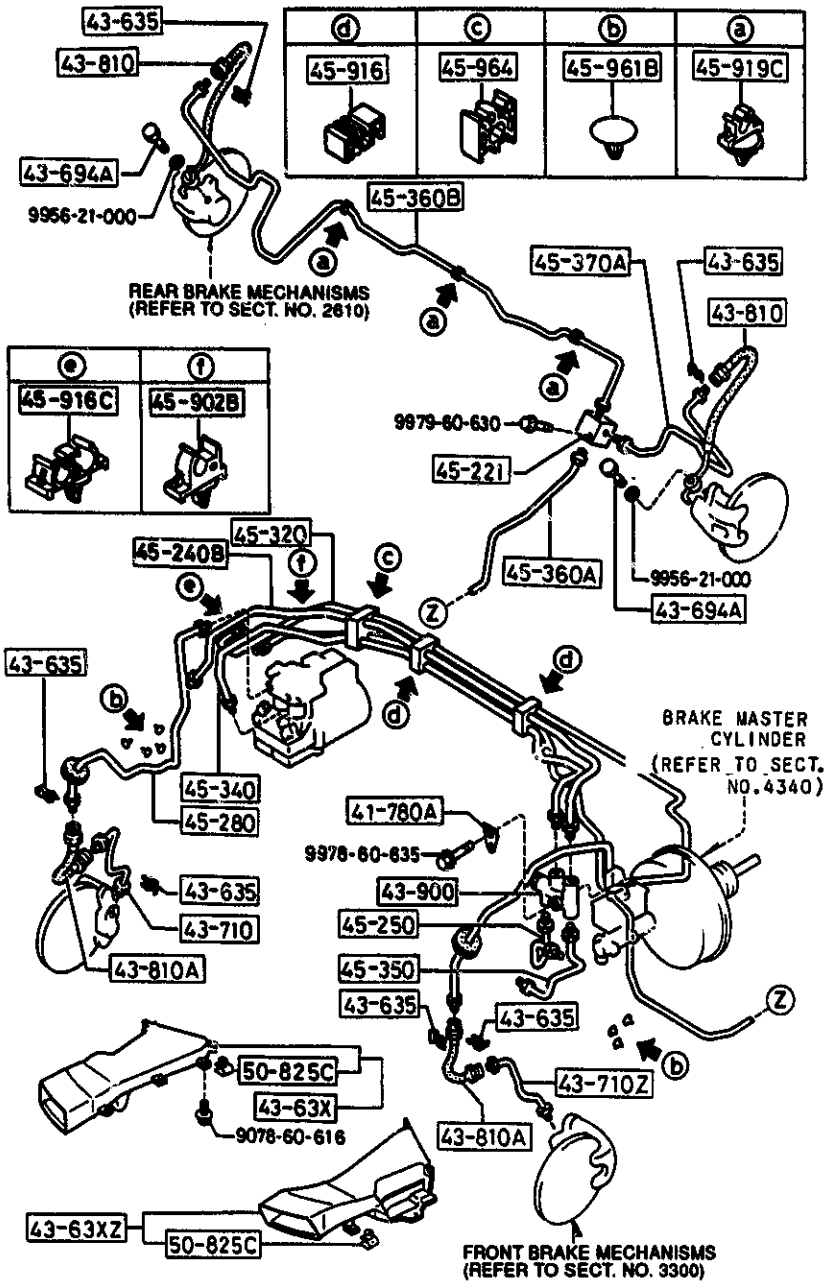
ITEM NO.	D-CODE	DESCRIPTION	PART NO.	QTY	MODEL/DESCRIPTION	REMARKS
41 780A		BRACKET, P.B. VALVE	FB44-41-780A	1	TURBO	
43 635		CLIP, FLEXIBLE HOSE	W023-43-635	6		
43 63X		DUCT (R), AIR-BRAKE PIPE	FB01-43-63XB	1		
43 63XZ		DUCT (L), AIR-BRAKE PIPE	FB01-43-64XB	1		
43 694A		BOLT, CONNECTOR	B001-43-694A	2		
43 710		PIPE (R), BRAKE-FRONT	FB05-43-710B	1	COUPE W/ HARD SUSP. CONVERTIBLE W/ NORM. SUSP.	
43 710Z		PIPE (L), BRAKE-FRONT	FB05-43-720B	1	COUPE W/ HARD SUSP. CONV. W/ NORM. SUSP.	
43 810		HOSE, FLEXIBLE	FB01-43-810B	2		
43 810A		HOSE NO. 1, FLEXIBLE	FB05-43-810	2	COUPE W/ HARD SUSP. CONV. W/ NORM. SUSP.	
43 900A		VALVE, P.B.	FB10-43-900	1		
43 980		HOSE, FLEXIBLE	FB01-43-980	2	COUPE W/ NORM. SUSP.	
45 221		JOINT, PIPE	FB01-45-291A	1		
45 250		PIPE, BRAKE-FRONT	FB01-43-360	1		
45 280		PIPE (R), BRAKE-FRONT	FB01-45-280E	1		
45 320		PIPE (L), BRAKE-FRONT	FB01-45-320	1		
45 350		PIPE, BRAKE-REAR	FB02-43-370	1		
45 360A		PIPE, BRAKE-REAR	FB01-45-360C	1		
45 360B		PIPE (R), REAR BRAKE	FB01-45-360D	1		
45 370A		PIPE (L), REAR BRAKE	FB01-45-370D	1		
45 916		HOLDER, PIPE	FB55-45-961A	1		6625-
45 919C		CLIP, PIPE	G030-45-919	8		
45 961B		CAP	H002-45-961	9		
50 825C		NUT, CLIP	FA01-50-054	16		
58 868E		PLUG, SERVICE COVER	0559-58-638	2		

6625 FC33* -157816

SECTION INDEX -- CHASSIS

STARTING LOCATION	SECT. NO.	SECTION NAME	STARTING LOCATION	SECT. NO.	SECTION NAME	STARTING LOCATION	SECT. NO.	SECTION NAME
1 - C11	2500	DRIVESHAFT	1 - L14	4000B	EXHAUST SYSTEM (W/O TURBO)			
1 - D11	2550	REAR DRIVESHAFTS	1 - C15	4000BA	EXHAUST SYSTEM (TURBO)			
1 - E11	2600	REAR AXLE	1 - E15	4140B	CLUTCH RELEASE & MASTER CYLINDERS (MANUAL TRANSMISSION)			
1 - F11	2610	REAR BRAKE MECHANISMS	1 - F15	4160	ACCELERATOR CONTROL SYSTEM			
1 - H11	2710	REAR DIFFERENTIALS (W/O TURBO)(NORMAL DIFFERENTIAL)	1 - G15	4200	FUEL TANK			
1 - J11	2710A	REAR DIFFERENTIALS (W/O TURBO)(LIMITED-SLIP DIFFERENTIAL)	1 - H15	4300	CLUTCH & BRAKE PEDALS			
1 - L11	2710C	REAR DIFFERENTIALS (TURBO)(LIMITED-SLIP DIFFERENTIAL)	1 - J15	4340	BRAKE MASTER CYLINDER & POWER BRAKE (W/O ANTI-LOCK BRAKE SYSTEM)			
1 - N11	2800	REAR SUSPENSION MECHANISMS (W/O TURBO) (W/O AUTOMATIC ADJUSTING SUSPENSION)	1 - L15	4340A	BRAKE MASTER CYLINDER & POWER BRAKE (ANTI-LOCK BRAKE SYSTEM)			
1 - C12	2800A	REAR SUSPENSION MECHANISMS (W/O TURBO) (FOR AUTOMATIC ADJUSTING SUSPENSION)	1 - N15	4360	BRAKE PIPINGS (W/O ANTI-LOCK BRAKE SYSTEM)			
1 - D12	2800B	REAR SUSPENSION MECHANISMS (TURBO)						
1 - E12	2810	REAR STABILIZER	1 - C16	4360A	BRAKE PIPINGS (ANTI-LOCK BRAKE SYSTEM)			
1 - F12	2830	REAR LOWER ARMS & SUB-FRAME	1 - D16	4370	ANTI-LOCK BRAKE SYSTEMS			
1 - H12	3200	STEERING WHEEL	1 - F16	4400	PARKING BRAKE SYSTEM			
1 - I12	3210	STEERING COLUMN & SHAFTS	1 - G16	4500B	FUEL PIPINGS (W/O ANTI-LOCK BRAKE SYSTEM)			
1 - J12	3210A	STEERING COLUMN & SHAFTS (W/ POWER STEERING)	1 - H16	4500BA	FUEL PIPINGS (ANTI-LOCK BRAKE SYSTEM)			
1 - K12	3220	STEERING GEAR (W/O POWER STEERING)	1 - I16	4600	CHANGE CONTROL SYSTEM (AUTOMATIC TRANSMISSION)			
1 - L12	3220A	STEERING GEAR (W/ POWER STEERING)						
1 - M12	3230	STEERING LINKAGE SYSTEM						
1 - C13	3240	POWER STEERING SYSTEM						
1 - E13	3300	FRONT AXLE & BRAKE MECHANISMS (FOR NORMAL SUSPENSION)						
1 - I13	3300A	FRONT AXLE & BRAKE MECHANISMS (FOR HARD SUSPENSION) (W/O ANTI-LOCK BRAKE SYSTEM)						
1 - K13	3300B	FRONT AXLE & BRAKE MECHANISMS (FOR HARD SUSPENSION) (ANTI-LOCK BRAKE SYSTEM)						
1 - M13	3400	FRONT SUSPENSION MECHANISMS (W/O TURBO) (W/O AUTOMATIC ADJUSTING SUSPENSION)						
1 - N13	3400A	FRONT SUSPENSION MECHANISMS (W/O TURBO) (FOR AUTOMATIC ADJUSTING SUSPENSION)						
1 - C14	3400B	FRONT SUSPENSION MECHANISMS (TURBO)						
1 - D14	3410	CROSSMEMBER & STABILIZER						
1 - E14	3700	TIRES & JACK (W/O TURBO)						
1 - H14	3700A	TIRES & JACK (TURBO)						
1 - J14	3900B	ENGINE & TRANSMISSION MOUNTINGS (W/O TURBO)						
1 - K14	3900BA	ENGINE & TRANSMISSION MOUNTINGS (TURBO)						

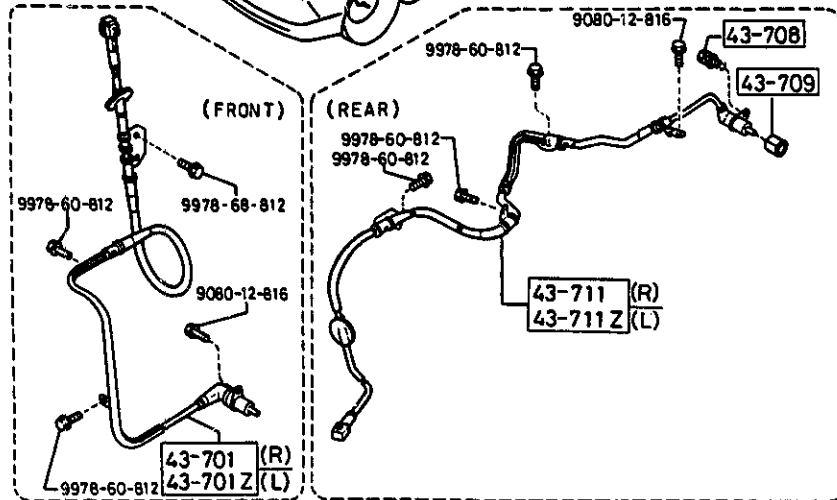
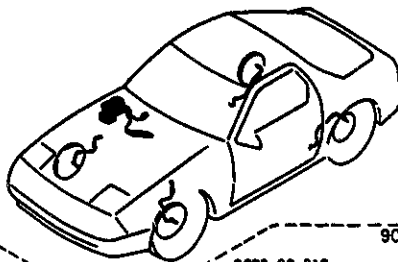
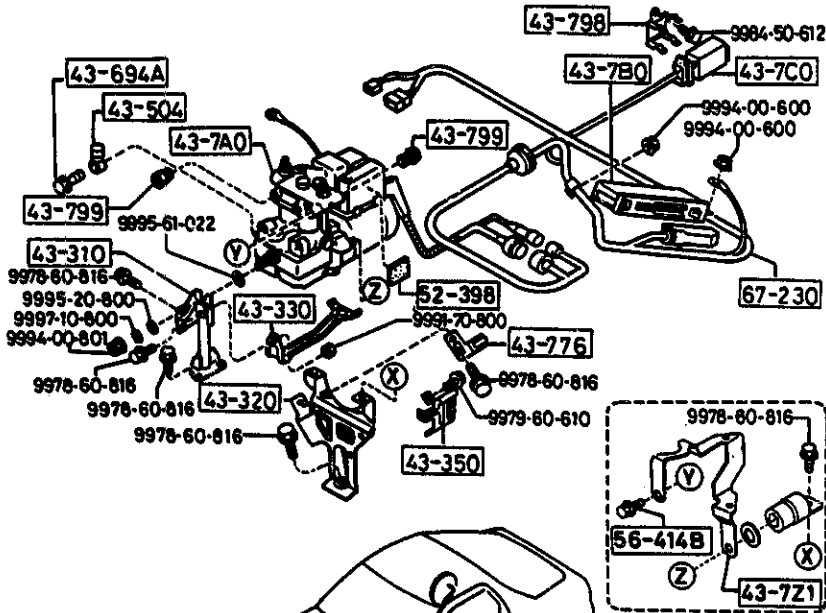
**4360A-1 BRAKE PIPINGS
(ANTI-LOCK BRAKE SYSTEM)**



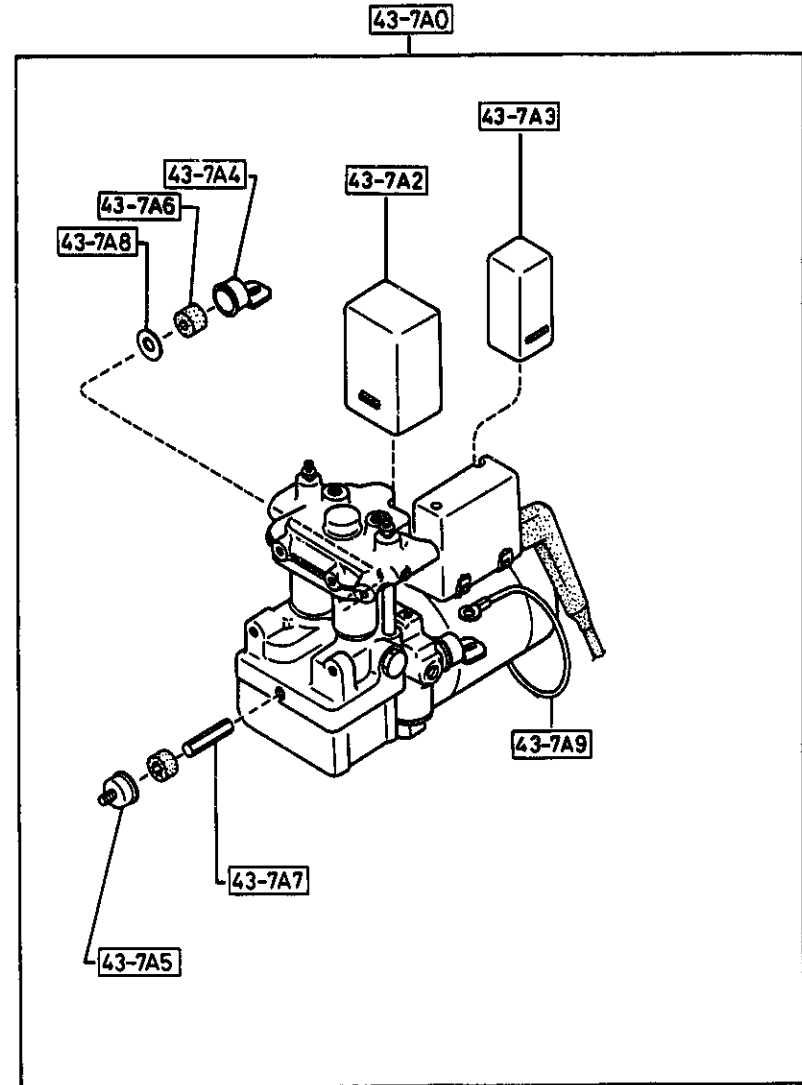
ITEM NO.	D-CODE	DESCRIPTION	PART NO.	QTY	MODEL/DESCRIPTION	REMARKS
41 780A		BRACKET, P.B. VALVE	FB44-41-780A	1		
43 635		CLIP, FLEXIBLE HOSE	W023-43-635	6		
43 63X		DUCT (R), AIR-BRAKE PIPE	FB01-43-63XB	1		
43 63XZ		DUCT (L), AIR-BRAKE PIPE	FB01-43-64XB	1		
43 694A		BOLT, CONNECTOR	B001-43-694A	2		
43 710		PIPE (R), BRAKE-FRONT	FB05-43-710B	1		
43 710Z		PIPE (L), BRAKE-FRONT	FB05-43-720B	1		
43 810		HOSE, FLEXIBLE	FB01-43-810A	2		
43 810A		HOSE NO. 1, FLEXIBLE	FB05-43-810	2		
43 900A		VALVE, P.B.	FB10-43-900	1		
45 221		JOINT, PIPE	FB01-45-291A	1		
45 240B		PIPE, BRAKE-FRONT	FB55-45-330E	1		
45 250		PIPE, BRAKE-FRONT	F048-43-360	1		
45 280		PIPE (R), BRAKE-FRONT	FB55-45-280D	1		-6C01
			FB55-45-280E	1		6C01-
45 320		PIPE (L), BRAKE-FRONT	FB55-45-320F	1		
45 340		PIPE, BRAKE-REAR	FB55-45-340E	1		
45 350		PIPE, BRAKE-REAR	FB55-43-370	1		
45 360A		PIPE, BRAKE-REAR	FB55-45-360B	1		
45 360B		PIPE (R), REAR BRAKE	FB01-45-380D	1		
45 370A		PIPE (L), REAR BRAKE	FB01-45-370D	1		
45 902B		CLIP	UA01-45-902	1		6C01-
45 916		HOLDER, PIPE	FB55-45-961A	2		
45 916C		HOLDER, PIPE	FB55-45-951	1		6C01-
45 919C		CLIP, PIPE	G030-45-919	3		
45 961B		CAP	H002-45-961	7		
45 964		HOLDER, PIPE-FRONT BRAKE (L)	F048-45-964	1		-6A16
50 825C		NUT, CLIP	FA01-50-054	16		

6A16 FC33* -519914
6C01 FC33* -525576

(THIS ILLUSTRATION CONSISTS OF 2 PAGES)



(THIS ILLUSTRATION CONSISTS OF 2 PAGES)



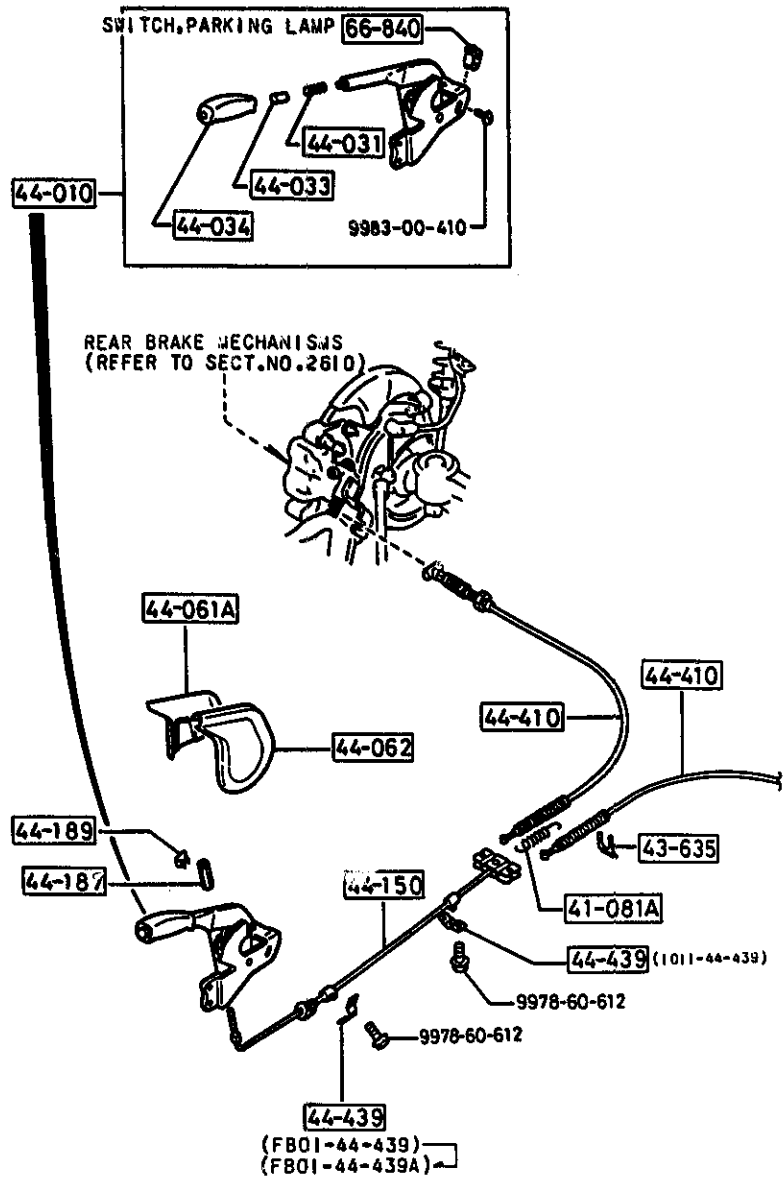
4370-2

ANTI-LOCK BRAKE SYSTEMS

ITEM NO.	D-CODE	DESCRIPTION	PART NO.	QTY	MODEL/DESCRIPTION	REMARKS
43 310		BRACKET NO. 1, A.B.S.	FB55-43-310A	1		
43 320		BRACKET NO. 2, A.B.S.	FB55-43-320B	1		
43 330		BRACKET NO. 5, A.B.S.	FB55-43-330A	1		
43 350		INSULATOR, HYDRAULIC UNIT	FB55-43-350A	1		
43 504		JOINT, PIPE	W023-43-504	2		
43 694A		BOLT, CONNECTOR	B001-43-694A	2		
43 701		SENSOR (R), FRONT-A.B.S.	F051-43-70XB	1		
43 701Z		SENSOR (L), FRONT-A.B.S.	F051-43-73XB	1		
43 708		BOLT, REAR SENSOR	F051-43-708A	2		
43 709		SLEEVE, GUIDE-CONTROL HUB	F051-43-709	2		
43 711		SENSOR (R), REAR A.B.S.	F051-43-71YC	1		
43 711Z		SENSOR (L), REAR-A.B.S.	F051-43-72YC	1		
43 776		CLIP, ANTI-LOCK BRAKE SYSTEM	F048-43-776B	1		
43 798		BRACKET, MAIN RELAY-A.B.S.	FB36-43-798C	1		
43 799		JOINT, FLARE	FB55-43-799	2		
43 7A0		HYDRAULIC UNIT, A.B.S.	F048-43-7A0E	1		
43 7A2		RELAY, MOTOR-HYDRAULIC UNIT	F048-43-7A2	1		
43 7A3		RELAY, VALVE-HYDRAULIC UNIT	F048-43-7A3	1		
43 7A4		COVER 'L', HYDRAULIC UNIT	F048-43-7A4B	1		
43 7A5		COVER 'R', HYDRAULIC UNIT	F048-43-7A5	1		
43 7A6		RUBBER, MOUNTING-HYDRAULIC UNIT	F048-43-7A6	1		
43 7A7		STUD, HEX-HYDRAULIC UNIT	F048-43-7A7	1		
43 7A8		WASHER, HYDRAULIC UNIT	F048-43-7A8	1		
43 7A9		WIRE, EARTH-HYDRAULIC UNIT	F043-43-7A9	1		
43 7B0		ELECTRIC UNIT, A.B.S.	F048-43-7B0B	1		
43 7C0		RELAY, MAIN-A.B.S.	F048-43-7C0	1		-7701
43 7Z1		BRACKET, PIPE HOLDER	FB55-43-7Z1	1		7114-
52 398		PAD, TANK PROTECTOR	0866-52-398A	1		7114-
56 414B		BOLT, INSULATOR-FRONT HEAT	FB01-56-414	1		7114-
67 230		WIRING, ANTI-LOCK BRAKE SYSTEM	FB55-67-230D	1		-7701
		< A >	FB55-67-230E	1		7701-
7114	FC33*	-529915				
7701	FC33*	-550169				

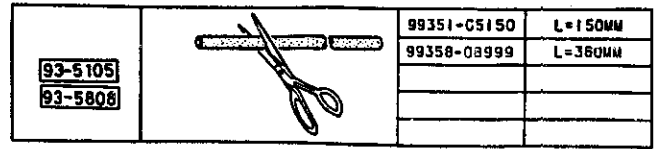
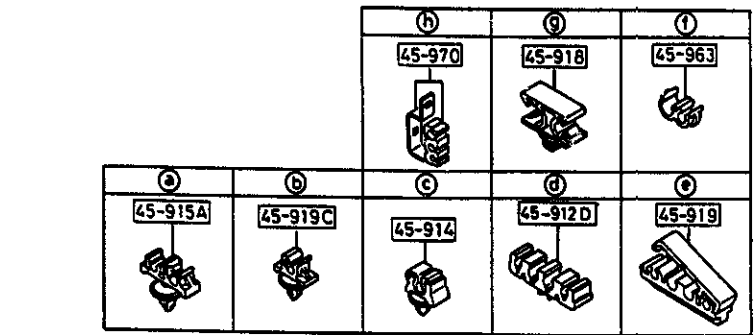
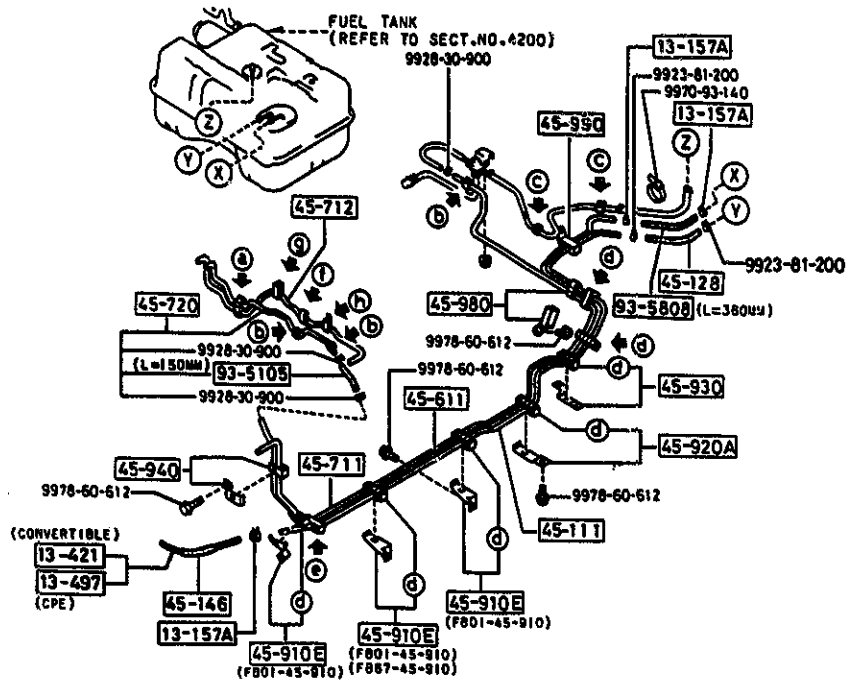
SEE ILLUSTRATION/S AT FRAME 1 - D16

4400-1 PARKING BRAKE SYSTEM



ITEM NO.	D-CODE	DESCRIPTION	PART NO.	QTY	MODEL/DESCRIPTION	REMARKS
41 081A		SPRING, RETURN	0613-41-308	1		
43 635		CLIP, FLEXIBLE HOSE	W023-43-635	2		
44 010		LEVER, PARKING BRAKE	FB01-44-010B	1		
44 031		SPRING, PARKING LEVER	G030-44-031	1		
44 033		BUTTON, RELEASE	FB01-44-033	1		
44 034		CAP, PARK BRAKE LEVER	FB01-44-034	1		
44 061A		COVER	FB01-44-061B	1		
44 062		COVER	FB01-44-062A	1		
44 150		CABLE, PARKING	FB01-44-150B	1		
44 187		SCREW	0866-44-187A	1		
44 189		CLIP	0866-44-189	1		
44 410		CABLE (R), PARKING	FB01-44-410E	2		
44 439		CLIP, CABLE	1011-44-439	1		
			FB01-44-439A	1		
66 840		SWITCH, PARKING LAMP	8871-66-450	1		

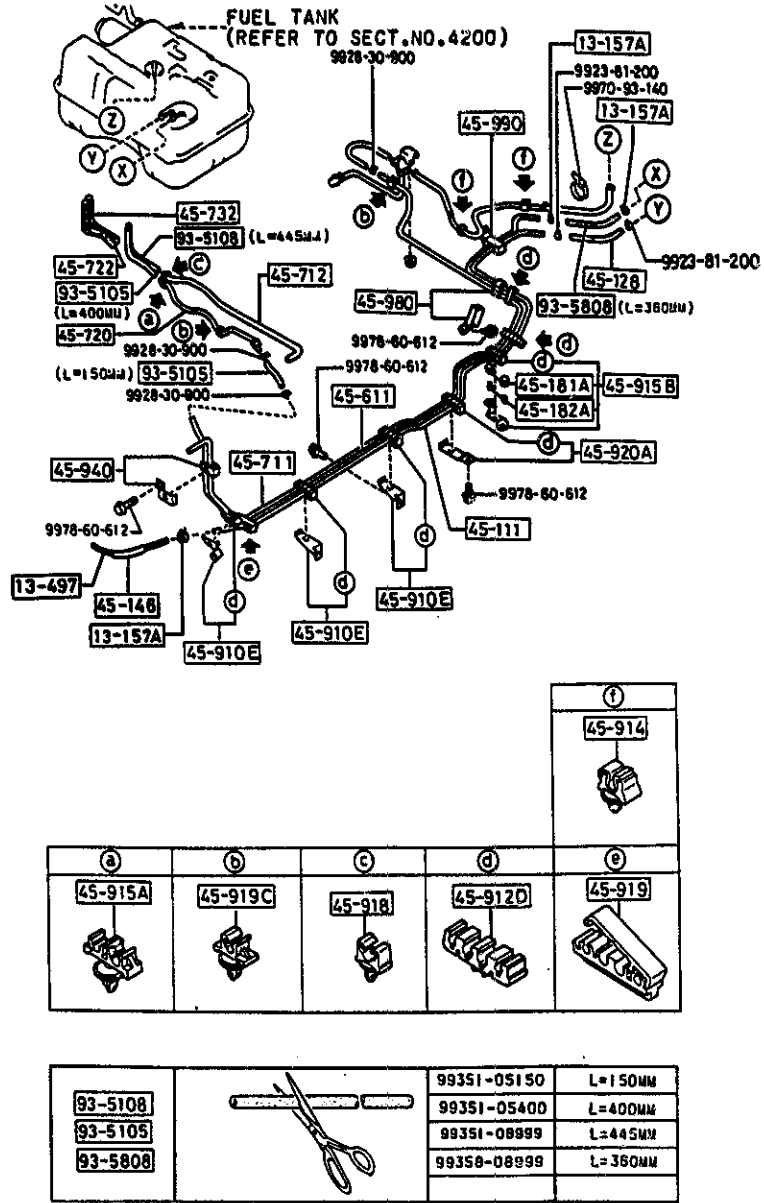
4500B-1 FUEL PIPINGS (W/O ANTI-LOCK BRAKE SYSTEM)



ITEM NO.	D-CODE	DESCRIPTION	PART NO.	QTY	MODEL/DESCRIPTION	REMARKS
13 157A		CLIP	8574-13-157	2		-6919
				3		6919-
13 421		HOSE, FUEL MAIN	B630-13-496	1	CONV.	
13 497		HOSE, FUEL	E5A1-13-497A	1	COUPE	6919-
45 111		PIPE, FUEL-MAIN	FB70-45-111	1	CONV.	
			FB01-45-111C	1	COUPE	
45 128		HOSE, FUEL MAIN	FB01-42-611	1		
45 146		PROTECTOR, FUEL HOSE	8116-45-146	1	CONV.	
			8986-45-146	1	COUPE	6919-
45 611		PIPE, FUEL-RETURN	FB01-45-611E	1		
45 711		PIPE, EVAPORATION	FB01-45-711B	1		
45 712		PIPE, EVAPORATOR	FB01-45-712D	1		
45 720		PIPE, EVAPORATION-FRONT	FB01-45-720D	1		
45 910E		HOLDER, PIPE	FB01-45-910	2	CONV.	
			FB67-45-910	3	COUPE	
			FB01-45-912	1	CONV.	
45 912D		HOLDER 'A'	FB01-45-912	7		
45 914		HOLDER, PIPE	FB01-45-914	2		
45 915A		HOLDER, PIPE	G037-45-913	1		
45 918		CLIP, FUEL PIPE	B180-45-918	1		
45 919		CLIP, PIPE	FB01-45-919	2		
45 919C		CLIP, PIPE	G030-45-919	2	W/O TURBO	
45 920A		HOLDER 'B', PIPE	FB01-45-920	1		
45 930		HOLDER 'C', PIPE	FB01-45-930	1		
45 940		HOLDER, PIPE	FB01-45-940	1		
45 963		HOLDER 'J', PIPE	FB01-45-963	1	W/O TURBO	-6625
45 970		HOLDER 'G', PIPE	FB01-45-970	1	W/O TURBO	-6625
45 980		HOLDER 'D', PIPE	FB01-45-980A	2		-6301
				1		6301-
45 990		HOLDER 'K', PIPE-FUEL	FB01-45-990	1		6301-
93 5105		HOSE, FUEL	9935-10-515	1		
93 5808		HOSE	9935-80-8999	1		

6301 FC33* -13471E
 6625 FC33* -15781E
 6919 FC33* -515659

**4500BA-1 FUEL PIPINGS
(ANTI-LOCK BRAKE SYSTEM)**

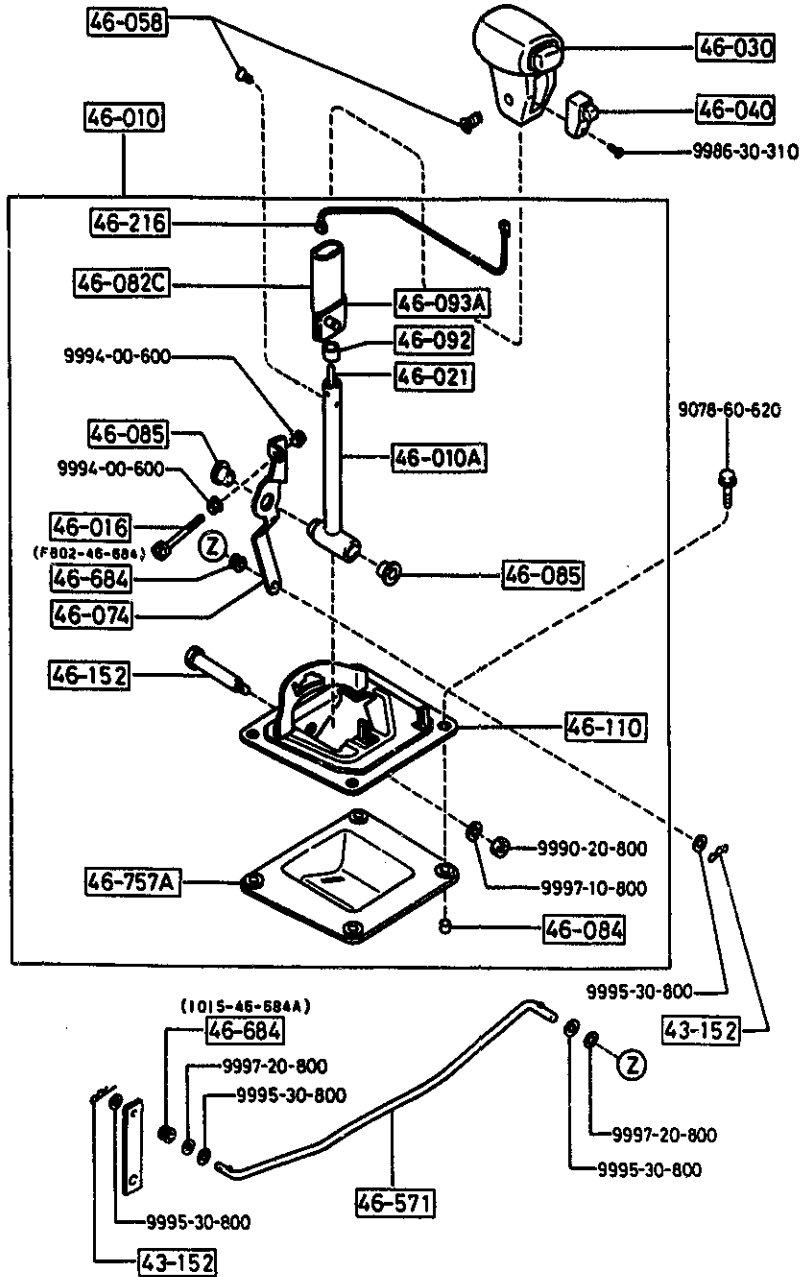


ITEM NO.	D-CODE	DESCRIPTION	PART NO.	QTY	MODEL/DESCRIPTION	REMARKS
13 157A		CLIP	8574-13-157	2		-6919
13 497		HOSE, FUEL	E5A1-13-497A	3		6919-
45 111		PIPE, FUEL-MAIN	FB01-45-111C	1		6919-
45 128		HOSE, FUEL MAIN	FB01-42-611	1		
45 146		PROTECTOR, FUEL HOSE	8986-45-146	1		6919-
45 181A		RUBBER, MOUNTING	FA23-45-181	2		
45 182A		SPACER	FA23-45-182	2		
45 611		PIPE, FUEL-RETURN	FB01-45-611E	1		
45 711		PIPE, EVAPORATION	FB01-45-711B	1		
45 712		PIPE, EVAPORATION	FB55-45-731	1		
45 720		PIPE, EVAPORATION-FRONT	FB55-45-721	1		
45 722		PROTECTOR, EVAPORATION HOSE-FRONT	FB55-45-722A	1		
45 732		PROTECTOR, EVAPORATION HOSE	FB55-45-732A	1		
45 910E		HOLDER, PIPE	FB01-45-910	3		
45 912D		HOLDER 'A'	FB01-45-912	7		
45 914		HOLDER, PIPE	FB01-45-914	2		
45 915A		HOLDER, PIPE	G037-45-913	1		
45 915B		HOLDER, PIPE	F048-45-930	1		
45 918		CLIP, FUEL PIPE	8075-45-918	1		
45 919		CLIP, PIPE	FB01-45-919	1		
45 919C		CLIP, PIPE	G030-45-919	2		
45 920A		HOLDER 'B', PIPE	FB01-45-920	1		
45 940		HOLDER, PIPE	FB01-45-940	1		
45 980		HOLDER 'D', PIPE	FB01-45-980A	1		
45 990		HOLDER 'K', PIPE-FUEL	FB01-45-990	1		
93 5105		HOSE, FUEL	9935-10-515	1		
			9935-10-540	1		
			9935-10-8445	1		
			9935-80-8999	1		
93 5808		HOSE		1		

6919 FC33* -515659

4600-1

**CHANGE CONTROL SYSTEM
(AUTOMATIC TRANSMISSION)**



ITEM NO.	D-CODE	DESCRIPTION	PART NO.	QTY	MODEL/DESCRIPTION	REMARKS
43 152		PIN, SNAP	D001-43-152	2		
46 010		LEVER, SELECT	FB02-46-100D	1		
46 016		BOLT	H002-46-016A	1		
46 021		ROD, PUSH	FB02-46-100D	1		
46 030		KNOB, CHANGE LEVER BLACK	FB02-46-050E 00	1		
46 040		SWITCH, OVERDRIVE CONTROL BLACK	FB02-46-040B 00	1		
46 058		SCREW, CHANGE LEVER KNOB	FB02-46-058C	2		
46 074		LEVER, SELECT	FB02-46-074	1		
46 082C		COVER, SELECT LEVER	FB02-46-088	1		
46 084		SPACER, SELECT LEVER	1481-46-084A	4		
46 085		BUSHING	FB02-46-085	2		
46 092		BUSHING, CENTER RING	FB02-46-092	1		
46 093A		SPACER, SELECT LEVER	FB02-46-093	1		
46 110		BRACKET, LEVER	FB02-46-110	1		
46 152		SPINDLE	H002-46-152	1		
46 216		HARNES, SELECTOR LEVER	FB02-46-216B	1		
46 571		ROD, SELECTOR	FB02-46-571B	1		
46 684		BUSHING	FB02-46-684	1		
			1C 15-46-684A	1		
46 757A		BOOT	FB02 46-757B	1		