



This document is brought to you through the kind services of

Kevin Wright

krwright@wankel.net

<http://www.wankel.net/~krwright>

who laboriously scanned, post-processed, Distilled, and organized the original 1980 (1979 printing) wiring diagram provided by [Stu Aull](#) (Thanks!).

There are several ways to get around in the document. I have provided Bookmarks to all the sections and subsections, and thumbnails are also provided in the Thumbnails side bar.

Only a few of the pages in the original document were of the fold-out variety, and only one really needs to be split into multiple documents. This page has been provided in full sheet and segmented versions, as indicated in the Bookmarks. These pages probably should be printed out on 11" x 17" paper if available, but are still readable on 8.5" x 11" paper. You could also print out the segmented versions and attach them together, if so desired (or not. Whatever you want, eh?)

I have also included a label for the spine of a binder, for those who wish to print out all the pages and keep a dead-tree edition handy. ☺

The original document is © 1979 Toyo Kogyo Co., Ltd., and remains so. This version is provided as a service for owners of first generation Mazda RX-7s who are having a devil of a time locating the factory wiring guide for a reasonable price.

If you really want to send me money, email me and I'll tell you where to send it, but it's not necessary. Consider this payback for all the good advice and information gleaned from the various RX-7 email lists!

Subscribe to the Early Mazda Rotaries email list:
Send an email with "subscribe" (without the quotes) to list-request@sa22c.org

See <http://www.dfw-rx7.com> for information on the DFW-RX7 email list.

03/26/03

Mazda RX-7

1980
Wiring Diagram

mazda

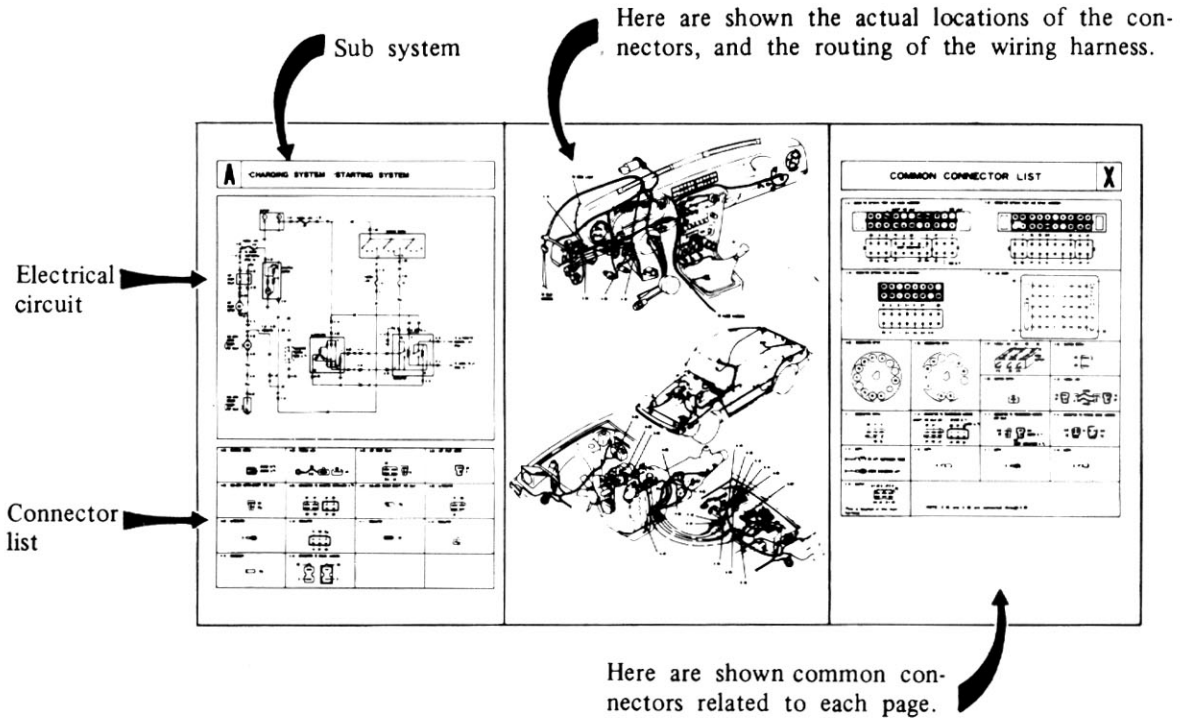
INTRODUCTION

In this booklet, the whole electrical system is divided into sub systems, such as charging system, ignition system, and so on.

Index shows on which page the sub system is found and which page each component belong to. Each system is shown on right and left pages. The upper part of the left page shows the electrical circuit and the lower part shows the configuration of each connector. Right page shows the actual location of each connector and the routing of the harness in the vehicle.

The last page X shows the common connectors related to each sub system.

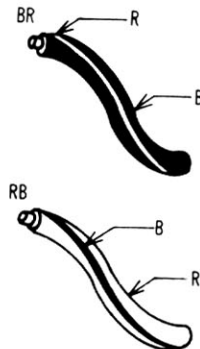
All informations in this booklet are best available at the time of printing. Toyo Kogyo reserves right to make changes in circuit and specifications without previous notice.



WIRING CODE:

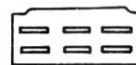
The first alphabet indicates the basic color for the wire, and the second alphabet indicates the stripe color.

| CODE | |
|------|-------------|
| B | BLACK |
| Br | BROWN |
| G | GREEN |
| Gy | GRAY |
| L | BLUE |
| Lb | LIGHT BLUE |
| Lg | LIGHT GREEN |
| O | ORANGE |
| R | RED |
| W | WHITE |
| Y | YELLOW |



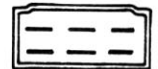
CONNECTOR TYPE

FEMALE



FEMALE

MALE



MALE

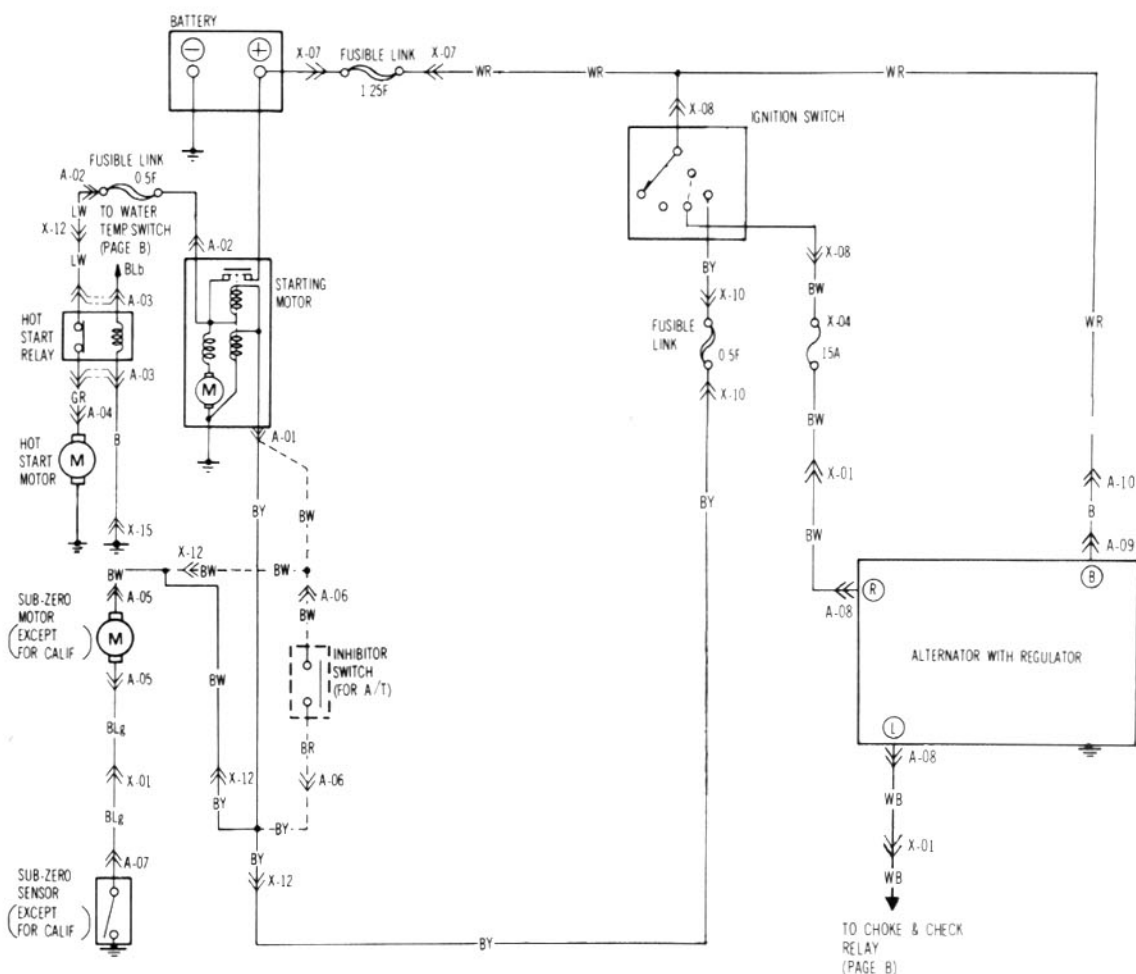
INDEX

| SUB SYSTEM | PAGE |
|--|------|
| • CHARGING SYSTEM • STARTING SYSTEM | A |
| • EMISSION CONTROL SYSTEM • KICK-DOWN SYSTEM | B |
| • IGNITION SYSTEM • FUEL PUMP | |
| • METER & WARNING SYSTEM | C |
| • WIPER & WASHER SYSTEM | D |
| • HEADLIGHT & ILLUMINATION SYSTEM | E |
| • SIGNAL LIGHT SYSTEM • HORN | F |
| • HEATER SYSTEM • RADIO • STEREO | G |
| • HEATED WINDOW SYSTEM • POWER ANTENNA | |
| • SEAT BELT WARNING SYSTEM • ROOM & MAP LIGHT | H |
| • AUTO CLOCK • CIGARETTE LIGHTER • GLOVE BOX LIGHT | |
| • GLASS HATCH RELEASE SYSTEM | |

| COMPONENT | PAGE | COMPONENT | PAGE |
|-----------------------------------|-------|-----------------------------------|-------|
| AIR CON. RELAY | B | WASHER SWITCH | D |
| AIR CON. SOLENOID VALVE | B | WIPER SWITCH | D |
| AIR VENT VALVE | B | COOLANT LEVEL SENSOR | C |
| ALTERNATOR WITH REGULATOR | A | COOLANT LEVEL UNIT | C |
| ALTERNATOR WARNING LIGHT | C | COOLANT LEVEL WARNING LIGHT | C |
| ALTITUDE SWITCH | B | DIODE | H |
| ANTI AFTERBURN VALVE | B | DISTRIBUTOR | B |
| AUTO CLOCK | H | DOOR SWITCH | H |
| BACK-UP LIGHT | F | E.G.R. RELAY | B |
| BACK-UP LIGHT SWITCH | F | E.G.R. VALVE | B |
| BATTERY | A ~ H | EMISSION CONTROL UNIT | B |
| BLOWER MOTOR | G | FLASHER UNIT | F |
| BLOWER MOTOR RESISTOR | G | FUEL GAUGE | C |
| BLOWER MOTOR SWITCH | G | FUEL GAUGE TANK UNIT | C |
| BRAKE FLUID LEVEL SENSOR | C | FUEL PUMP | B |
| BRAKE WARNING LIGHT | C | FULL CHOKE SWITCH | B |
| BRAKE WARNIGN LIGHT CHECKER | C | FUSIBLE LINK | |
| CARBURETOR HEATER | B | HEADLIGHT | E |
| CHOKE MAGNET | B | HOT START | A |
| CHOKE & CHECK RELAY | B | IGNITION COIL | B |
| CHOKE RETURN SOLENOID VALVE | B | MAIN | A ~ H |
| CHOKE SWITCH | B | RETRACTABLE HEADLIGHT MOTOR | E |
| CIGARETTE LIGHTER | H | STARTING MOTOR | A, B |
| COASTING VALVE | B | GLASS HATCH RELEASE MOTOR | H |
| COMBINATION SWITCH | | GLASS HATCH RELEASE SWITCH | H |
| DIMMER SWITCH | E, F | GLOVE BOX LIGHT | H |
| HAZARD SWITCH | F | GLOVE BOX LIGHT SWITCH | H |
| LIGHT SWITCH | E, F | | |
| PASSING SWITCH | E, F | | |
| TURN SIGNAL SWITCH | F | | |

INDEX

| COMPONENT | PAGE | COMPONENT | PAGE |
|--|-----------------|--|------|
| HEADLIGHT | E | POWER ANTENNA MOTOR | G |
| HEATED WINDOW | G | POWER ANTENNA SWITCH | G |
| HEATED WINDOW INDICATOR LIGHT. | G | POWER SOLENOID VALVE | B |
| HEATED WINDOW SWITCH | G | | |
| HIGH BEAM INDICATOR LIGHT. | E | RADIO. | G |
| HORN | F | RETRACTABLE HEADLIGHT MOTOR | E |
| HORN SWITCH | F | RETRACTABLE HEADLIGHT SWITCH | E |
| HOT START MOTOR | A | RETRACTOR INDICATOR LIGHT | E |
| HOT START RELAY. | A | RICHER SOLENOID VALVE. | B |
| | | ROOM LIGHT & SWITCH | H |
| IDLE SWITCH | B | | |
| IGNITER | B | SEAT BELT SWITCH. | H |
| IGNITION COIL. | B | SEAT BELT TIMER & BUZZER | H |
| IGNITION KEY REMINDER SWITCH | H | SEAT BELT WARNING LIGHT | H |
| IGNITION SWITCH. | A ~ D, F ~ H | SIDE MARKER LIGHT | H |
| ILLUMINATION LIGHT | E | SPEAKER | G |
| INHIBITOR SWITCH | A, F | STARTING MOTOR | A |
| INTERMITTENT RELAY | D | STEREO. | G |
| | | STOP LIGHT SWITCH | F |
| KICK-DOWN RELAY. | B | STOP & TAIL LIGHT | F |
| KICK-DOWN SOLENOID. | B | SUB-ZERO MOTOR. | A |
| KICK-DOWN SWITCH | B | SUB-ZERO SENSOR | A |
| | | | |
| LICENSE LIGHT | F | TACHOMETER. | C |
| | | TOP SWITCH. | B |
| MAP LIGHT & SWITCH. | H | TURN SIGNAL INDICATOR LIGHT | F |
| | | TURN SIGNAL LIGHT | F |
| NO. 2 RELIEF SOLENOID VALVE. | B | | |
| NO. 2 WATER TEMP. SWITCH | B | VACUUM CONTROL VALVE | B |
| | | VACUUM SWITCH | B |
| OIL LEVEL SENSOR | C | VOLTAGE REGULATOR | C |
| OIL LEVEL WARNING LIGHT | C | | |
| OVER DRIVE SWITCH | B | WASHER MOTOR. | D |
| | | WATER TEMP. GAUGE | C |
| PANEL LIGHT RESISTOR | E | WATER TEMP. GAUGE UNIT. | C |
| PARKING BRAKE SWITCH. | C | WARER TEMP. SWITCH. | B |
| PARKING LIGHT | F | WIPER MOTOR | D |



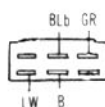
A-01 STARTING MOTOR



A-02 FUSIBLE LINK



A-03 HOT START RELAY



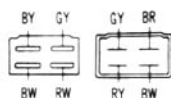
A-04 HOT START MOTOR



A-05 SUB-ZERO MOTOR (EXCEPT FOR CALIF.)



A-06 CONNECTOR TO INHIBITOR SWITCH (FOR A/T)



A-07 SUB-ZERO SENSOR (EXCEPT FOR CALIF.)



A-08 ALTERNATOR WITH REGULATOR

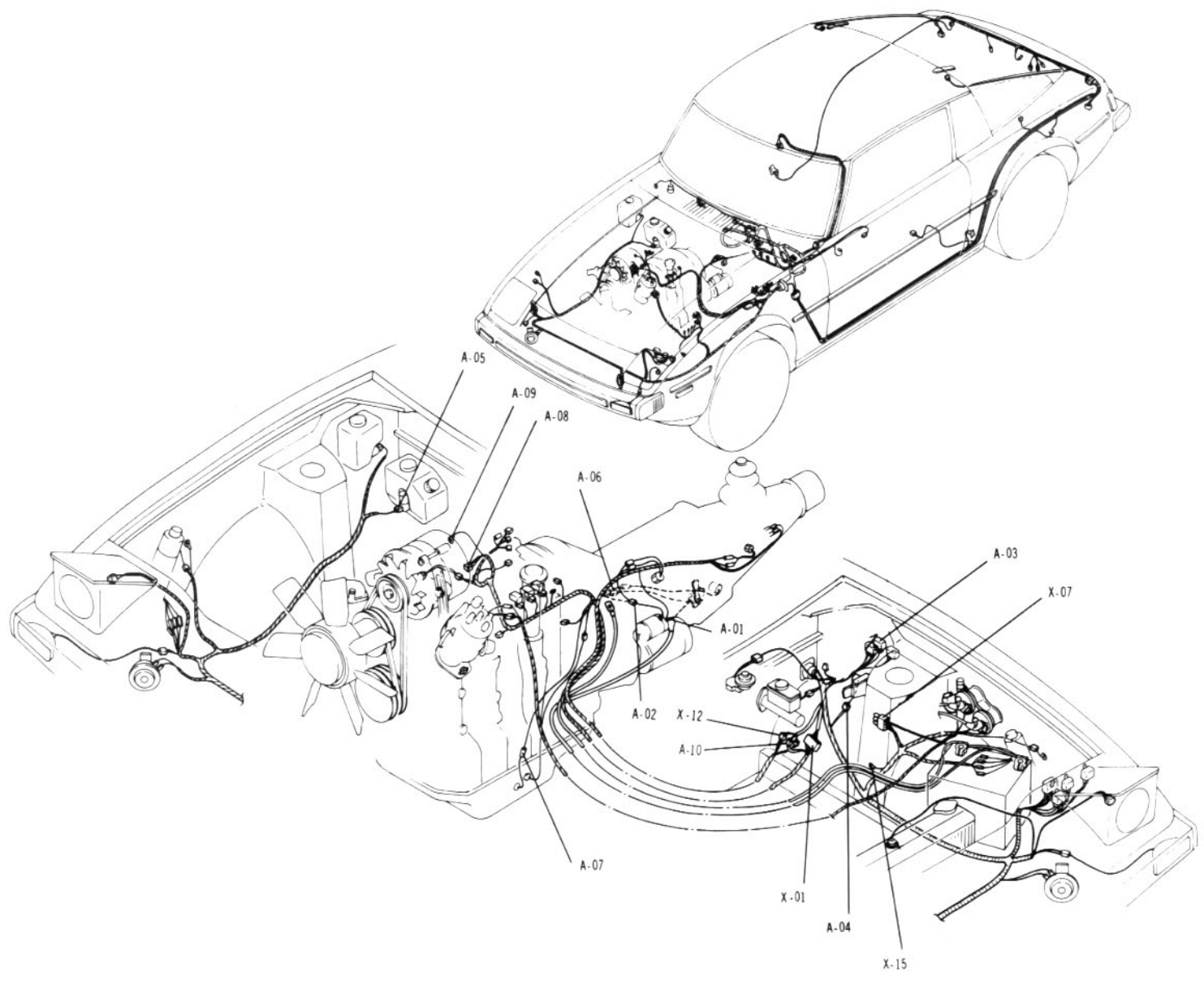
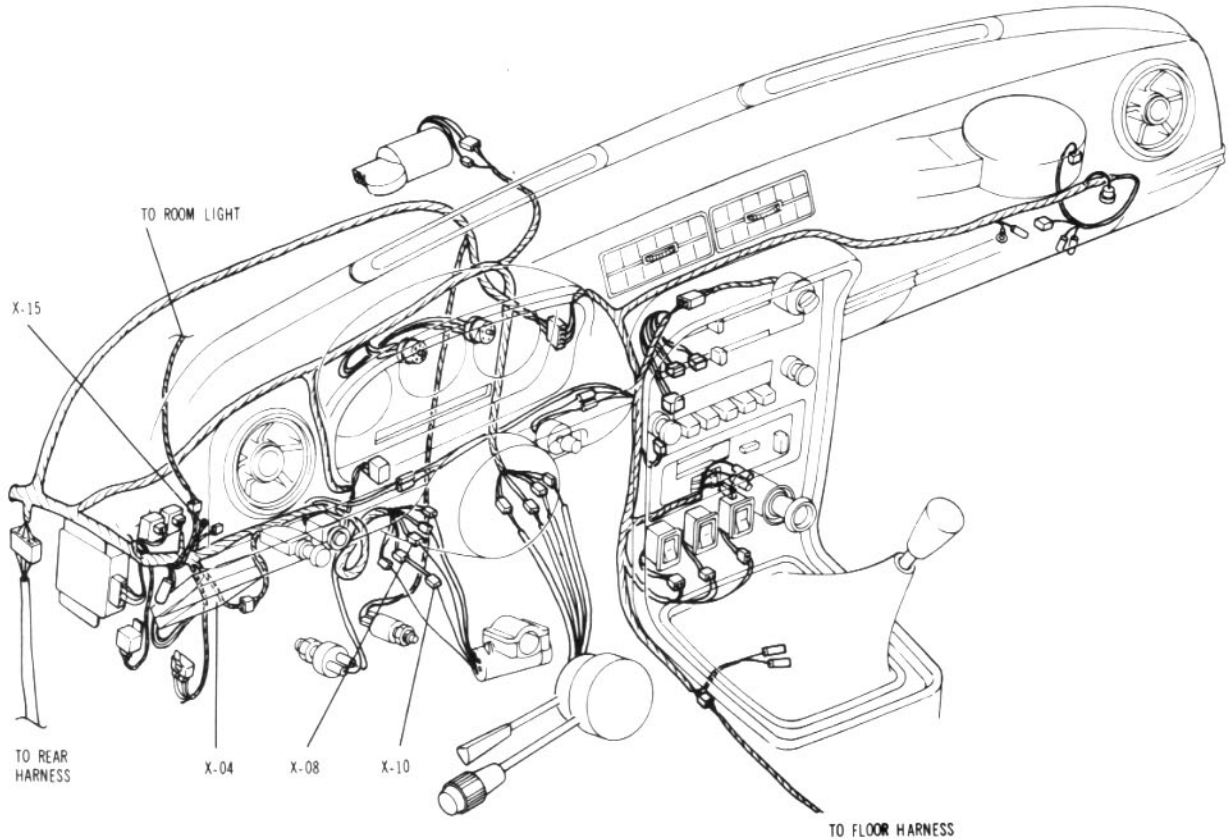


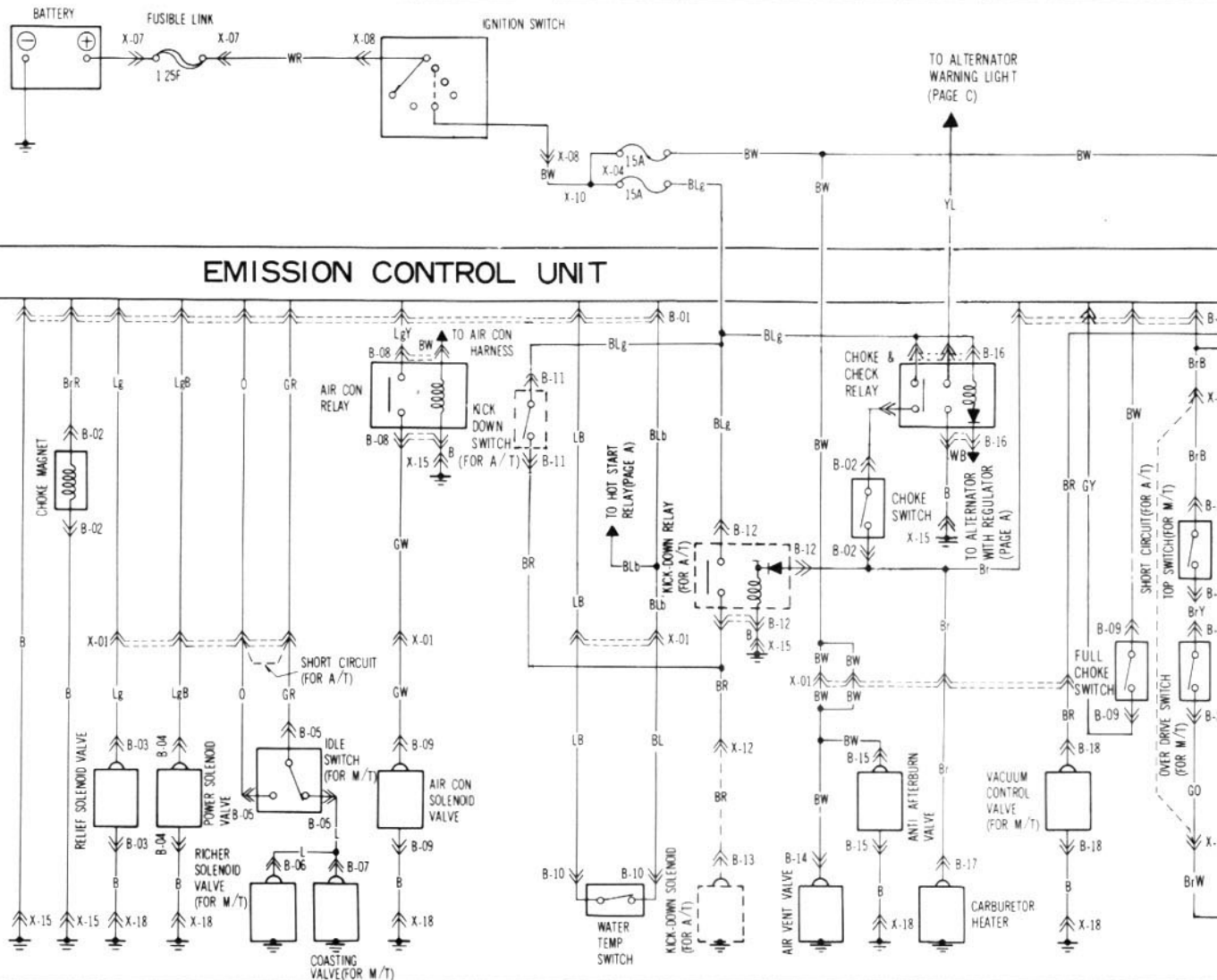
A-09 ALTERNATOR WITH REGULATOR



A-10 CONNECTOR BETWEEN FRONT AND ENGINE HARNESSES

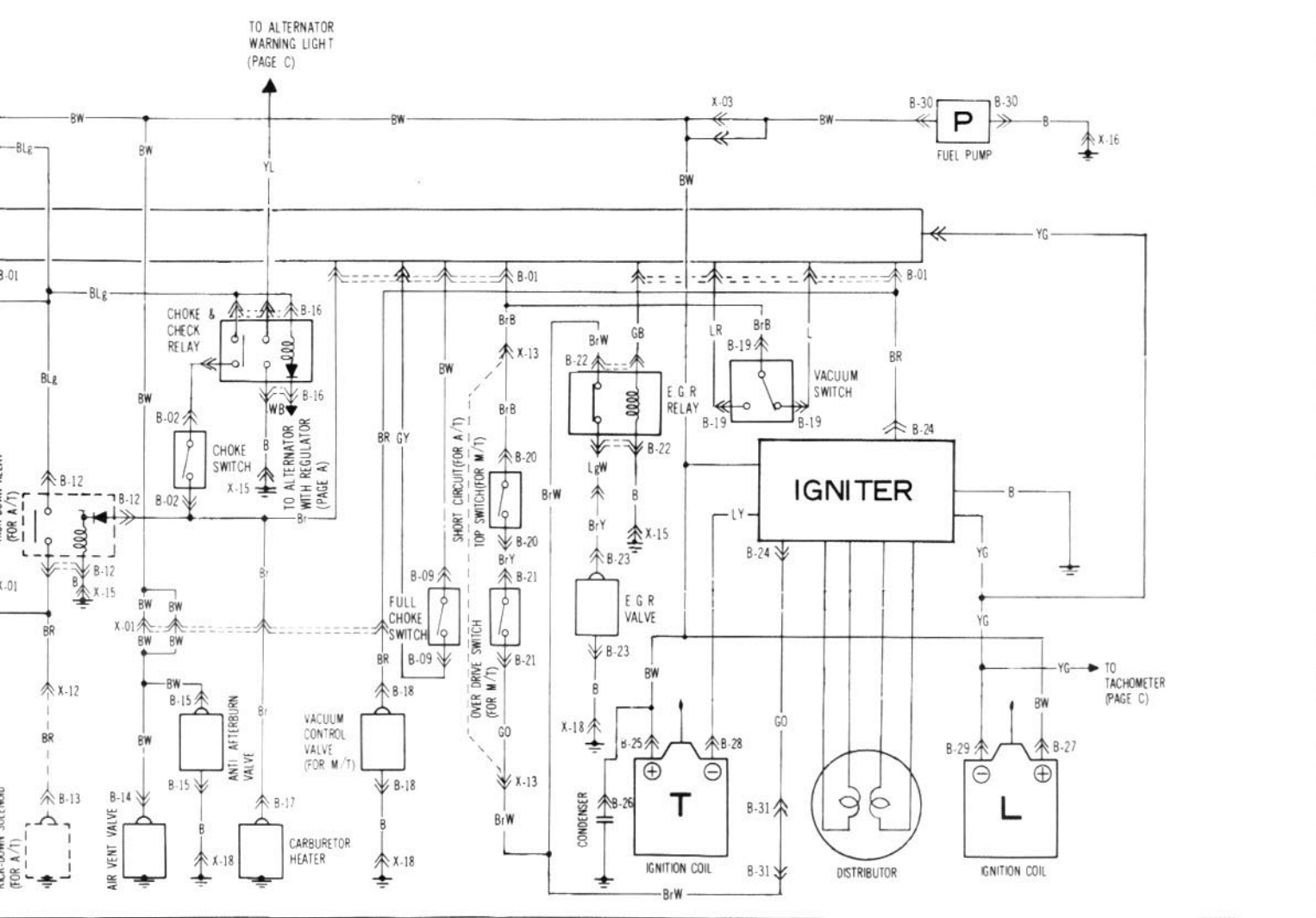



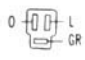


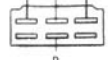

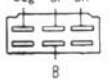

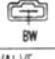



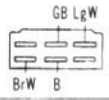










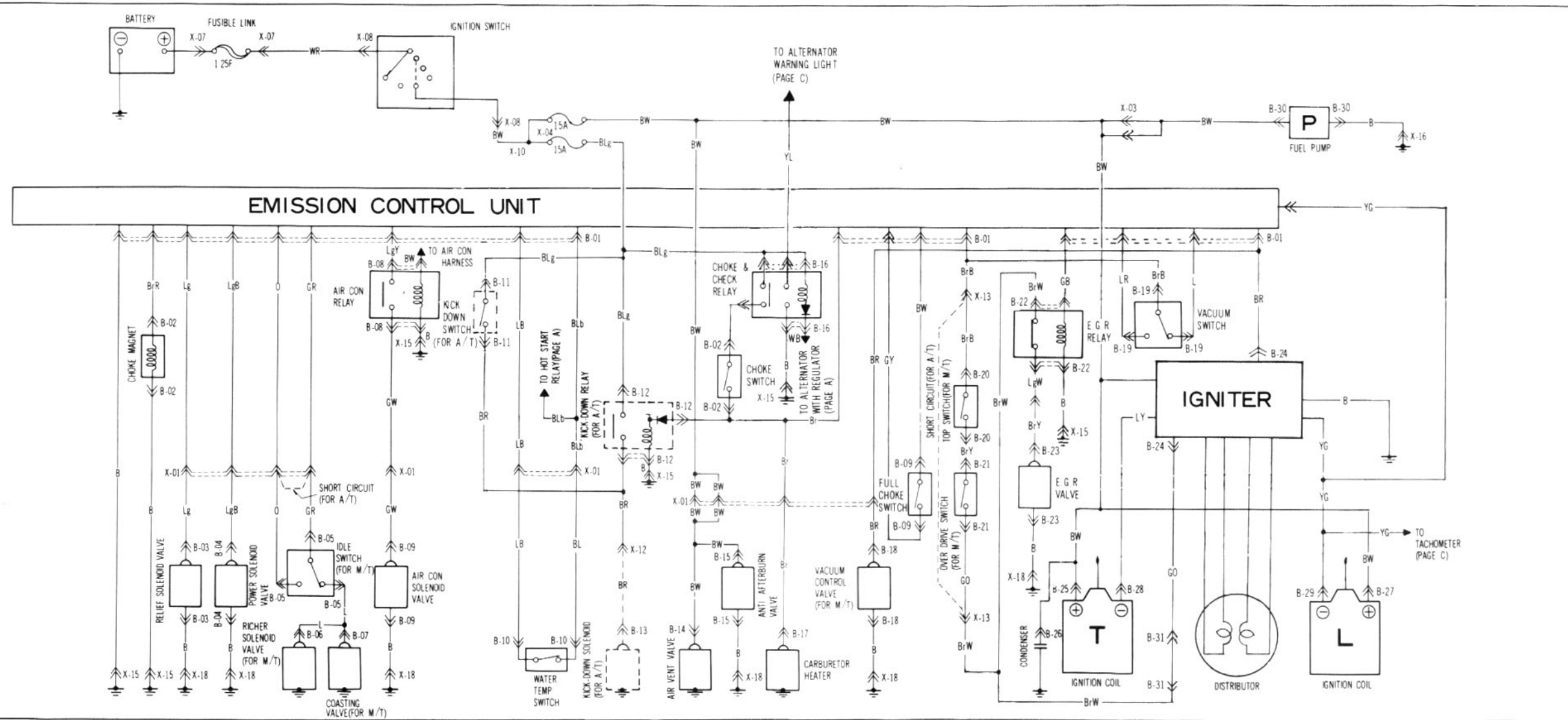
| | | | | | |
|--|--|--|---|---|--|
| <p>B-01 EMISSION CONTROL UNIT</p> | <p>B-02 CHOKE SWITCH BW Br</p> <p>BrR LR B GY</p> | <p>B-03 RELIEF SOLENOID VALVE</p> <p>Lg B (BLUE)</p> | <p>B-04 POWER SOLENOID VALVE</p> <p>LgB B</p> | <p>B-05 IDLE SWITCH(FOR M/T)</p> <p>O L GR</p> | |
| <p>B-16 CHOKE & CHECK RELAY</p> <p>LR B BLg YL WB BLg</p> | <p>B-17 CARBURETOR HEATER</p> <p>Br</p> | <p>B-09 AIR CON SOLENOID VALVE</p> <p>GW B (WHITE)</p> | <p>B-10 WATER TEMP SWITCH</p> <p>LB BL</p> | <p>B-11 KICK-DOWN SWITCH(FOR A/T)</p> <p>BLg BR</p> | <p>B-12 KICK-DOWN RELAY(FOR A/T)</p> <p>BLg Br BR B</p> |
| <p>B-25 ⊕ TERMINAL OF IGNITION COIL(T)</p> <p>Y</p> | <p>B-26 CONDENSER</p> <p>Y</p> | <p>B-18 VACUUM CONTROL VALVE (FOR M/T)</p> <p>BR B (ORANGE)</p> | <p>B-19 VACUUM SWITCH</p> <p>L LR BrB</p> | <p>B-20 TOP SWITCH(FOR M/T)</p> <p>BrB BrY</p> | <p>B-21 OVER DRIVE SWITCH(FOR M/T)</p> <p>GO BrY</p> |
| <p>B-25 ⊕ TERMINAL OF IGNITION COIL(L)</p> <p>YB</p> | | <p>B-27 ⊕ TERMINAL OF IGNITION COIL(L)</p> <p>YB</p> | <p>B-28 ⊖ TERMINAL OF IGNITION COIL(T)</p> <p>LY</p> | <p>B-29 ⊖ TERMINAL OF IGNITION COIL(L)</p> <p>YG</p> | <p>B-30 FUEL PUMP</p> <p>BW B</p> |

KICK-DOWN SYSTEM · FUEL PUMP · IGNITION SYSTEM



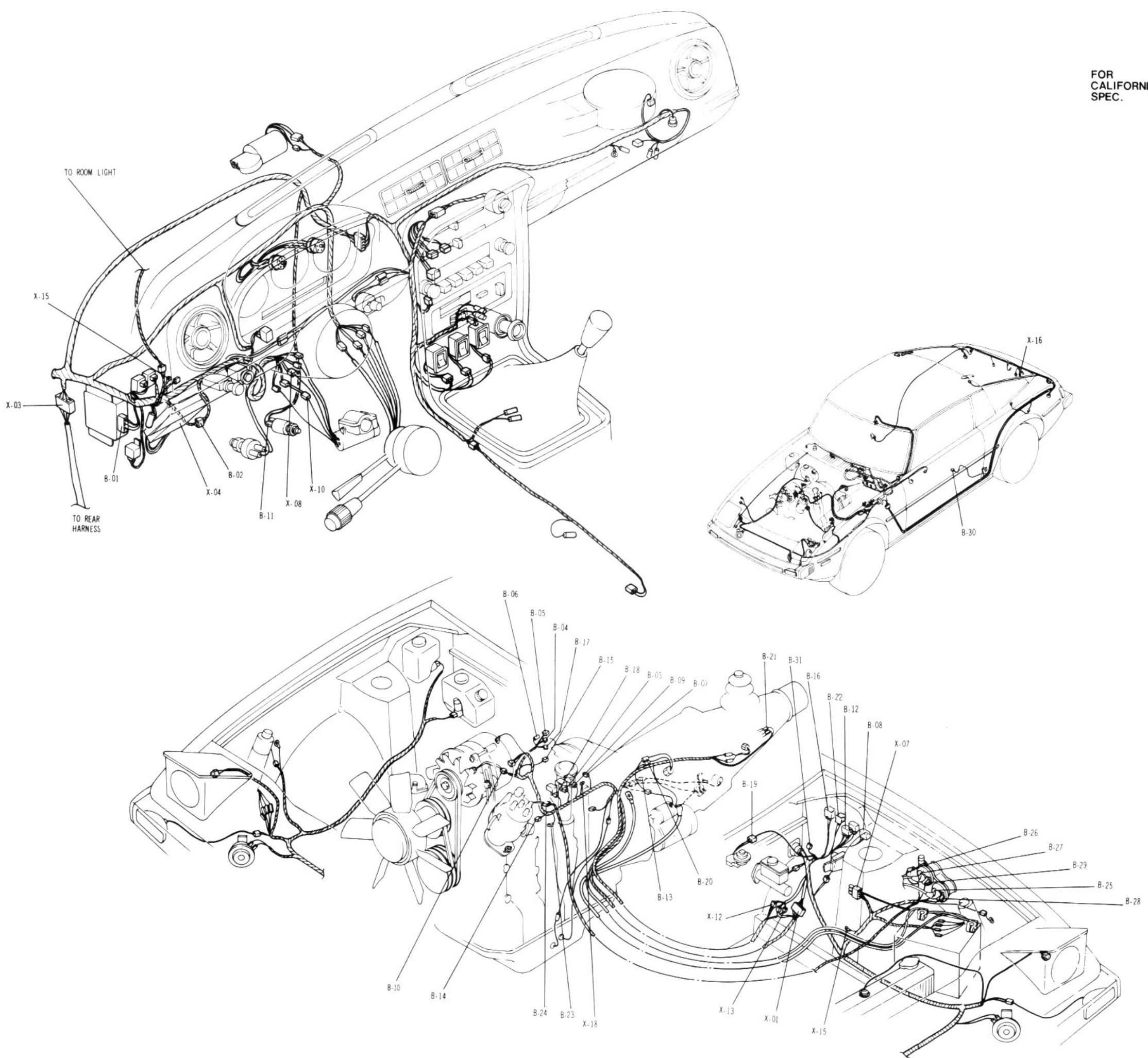
| | | | | | |
|------------------|---|--|--|--|--|
| VE | B-04 POWER SOLENOID VALVE  | B-05 IDLE SWITCH(FOR M/T)  | B-06 RICHER SOLENOID(FOR M/T)  | B-07 COASTING VALVE(FOR M/T)  | B-08 AIR CON RELAY  |
| B | B-11 KICK-DOWN SWITCH(FOR A/T)  | B-12 KICK-DOWN RELAY(FOR A/T)  | B-13 KICK-DOWN SOLENOID(FOR A/T)  | B-14 AIR VENT VALVE  | B-15 ANTI AFTERBURN VALVE  |
| | B-20 TOP SWITCH(FOR M/T)  | B-21 OVER DRIVE SWITCH(FOR M/T)  | B-22 E G R RELAY  | B-23 E G R VALVE  | B-24 IGNITER  |
| IGNITION COIL(T) | B-29 — TERMINAL OF IGNITION COIL (L)  | B-30 FUEL PUMP  | B-31 CONNECTOR TO ALTITUDE SWITCH  | | CONDENSER  |

·EMISSION CONTROL SYSTEM ·KICK-DOWN SYSTEM ·FUEL PUMP ·IGNITION SYSTEM



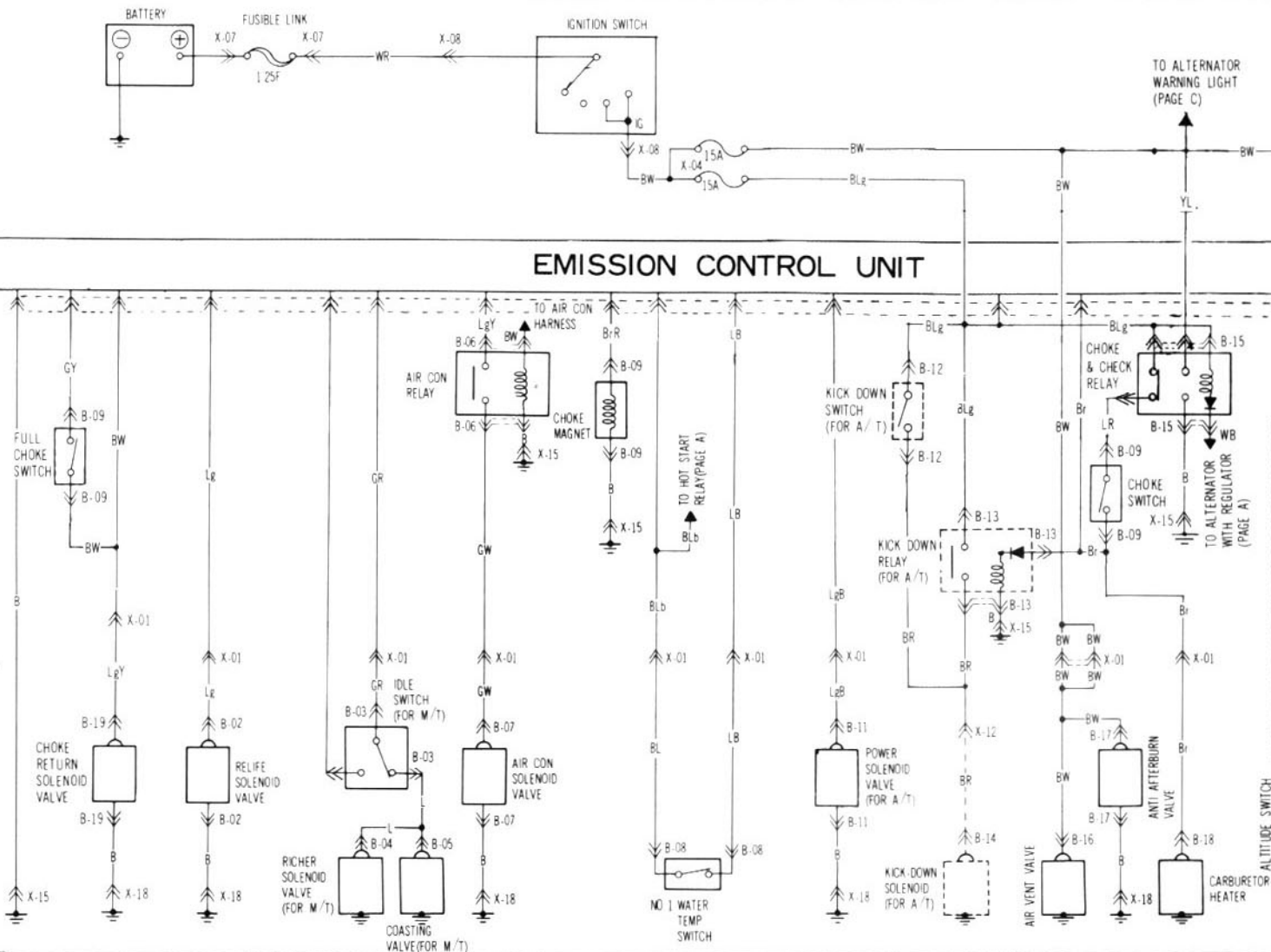
| | | | | | | | | |
|--|--------------------------------------|--|--|--|--|---|-----------------------------------|---|
| <p>B-01 EMISSION CONTROL UNIT</p> | <p>B-02 CHOKE SWITCH</p> | <p>B-03 RELIEF SOLENOID VALVE</p> | <p>B-04 POWER SOLENOID VALVE</p> | <p>B-05 IDLE SWITCH (FOR M/T)</p> | <p>B-06 RICHER SOLENOID (FOR M/T)</p> | <p>B-07 COASTING VALVE (FOR M/T)</p> | <p>B-08 AIR CON RELAY</p> | |
| <p>B-16 CHOKE & CHECK RELAY</p> | <p>B-17 CARBURETOR HEATER</p> | <p>B-09 AIR CON SOLENOID VALVE</p> | <p>B-10 WATER TEMP SWITCH</p> | <p>B-11 KICK-DOWN SWITCH (FOR A/T)</p> | <p>B-12 KICK-DOWN RELAY (FOR A/T)</p> | <p>B-13 KICK-DOWN SOLENOID (FOR A/T)</p> | <p>B-14 AIR VENT VALVE</p> | <p>B-15 ANTI AFTERBURN VALVE</p> |
| <p>B-25 + TERMINAL OF IGNITION COIL (T)</p> | <p>B-26 CONDENSER</p> | <p>B-18 VACUUM CONTROL VALVE (FOR M/T)</p> | <p>B-19 VACUUM SWITCH</p> | <p>B-20 TOP SWITCH (FOR M/T)</p> | <p>B-21 OVER DRIVE SWITCH (FOR M/T)</p> | <p>B-22 E G R RELAY</p> | <p>B-23 E G R VALVE</p> | <p>B-24 IGNITER</p> |
| <p>B-25 + TERMINAL OF IGNITION COIL (T)</p> | <p>B-26 CONDENSER</p> | <p>B-27 + TERMINAL OF IGNITION COIL (L)</p> | <p>B-28 - TERMINAL OF IGNITION COIL (T)</p> | <p>B-29 - TERMINAL OF IGNITION COIL (L)</p> | <p>B-30 FUEL PUMP</p> | <p>B-31 CONNECTOR TO ALTITUDE SWITCH</p> | <p>CONDENSER</p> | |

FOR CALIFORNIA SPEC.



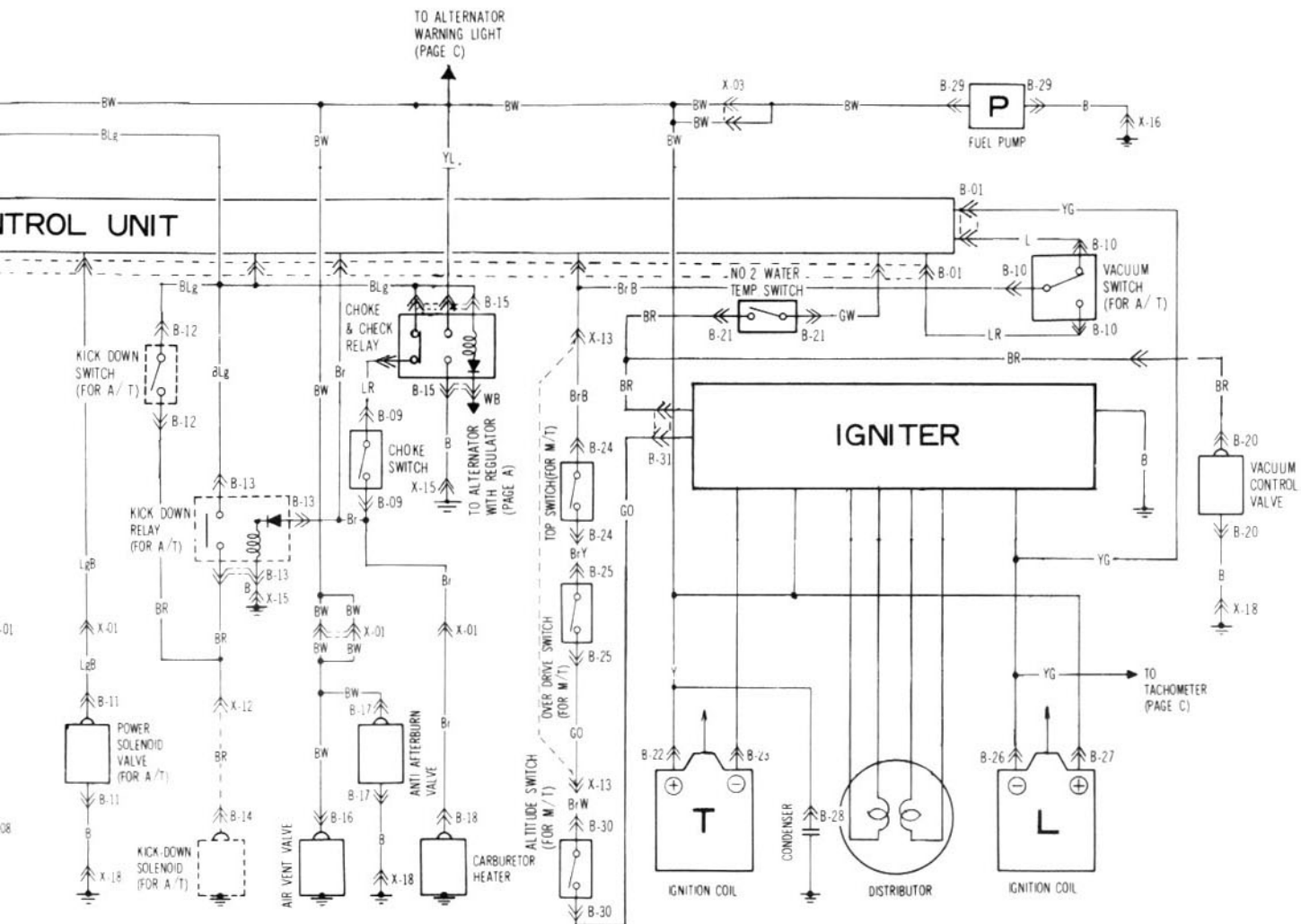
B

EXCEPT FOR CALIFORNIA SPEC.

·EMISSION CONTROL SYSTEM ·KICK-DOWN SYSTEM ·FUEL PUMP

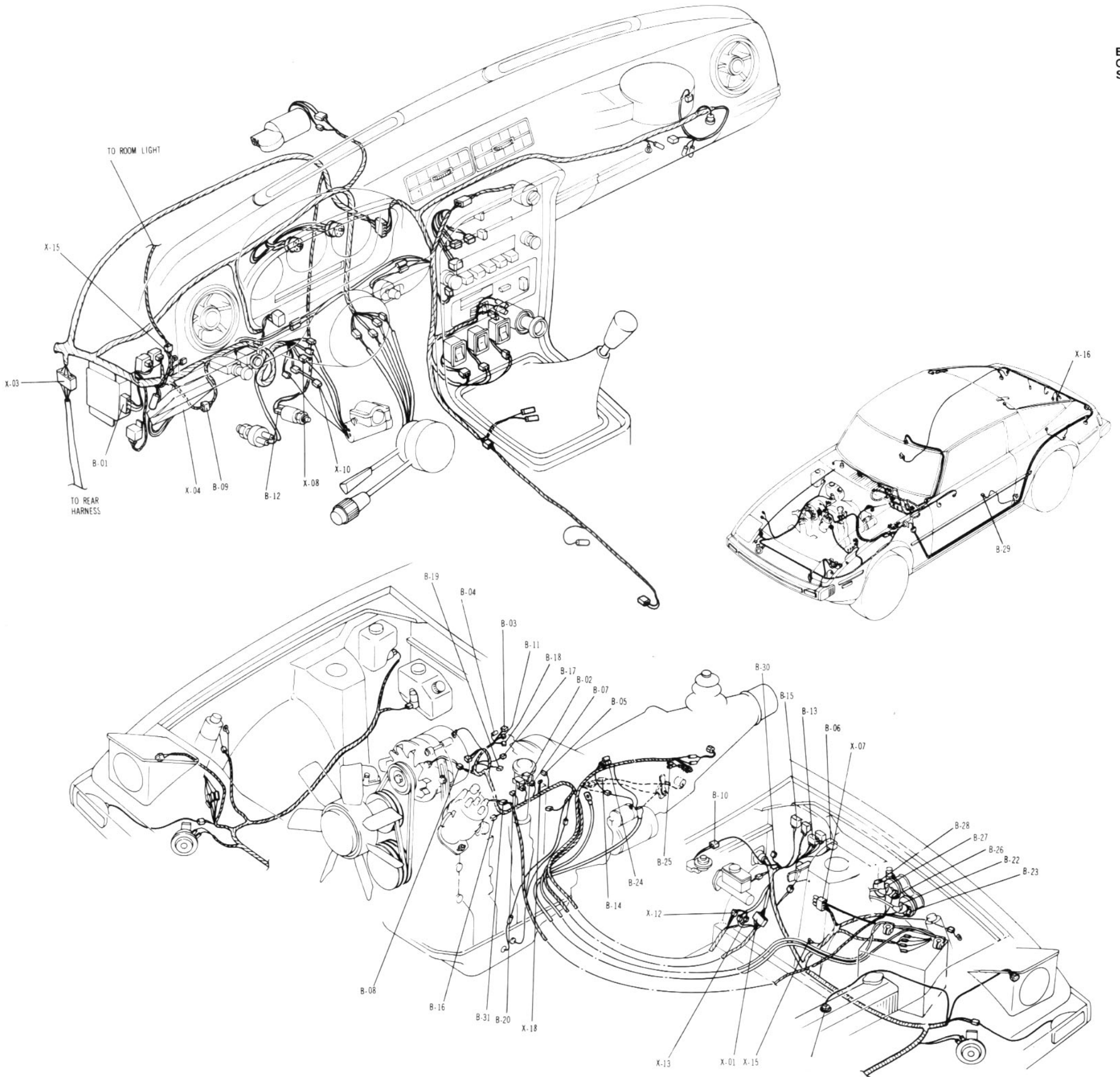
| | | | | |
|---|---|---|---|--|
| B-01 EMISSION CONTROL UNIT | B-02 RELIEF SOLENOID VALVE | B-03 IDLE SWITCH (FOR M/T) | B-04 RICHER SOLENOID VALVE (FOR M/T) | B-05 COASTING VALVE (FOR M/T) |
| B-16 AIR VENT VALVE | B-17 ANTI AFTERBURN VALVE | B-18 CARBURETOR HEATER | B-19 CHOKE RETURN SOLENOID VALVE | B-20 VACUUM CONTROL VALVE (FOR M/T) |
| B-25 OVER DRIVE SWITCH (FOR M/T) | B-26 TERMINAL OF IGNITION COIL (L) | B-27 TERMINAL OF IGNITION COIL (L) | B-28 CONDENSER | B-29 FUEL PUMP |
| | | | | B-21 NO. 2 WATER TEMP SWITCH |

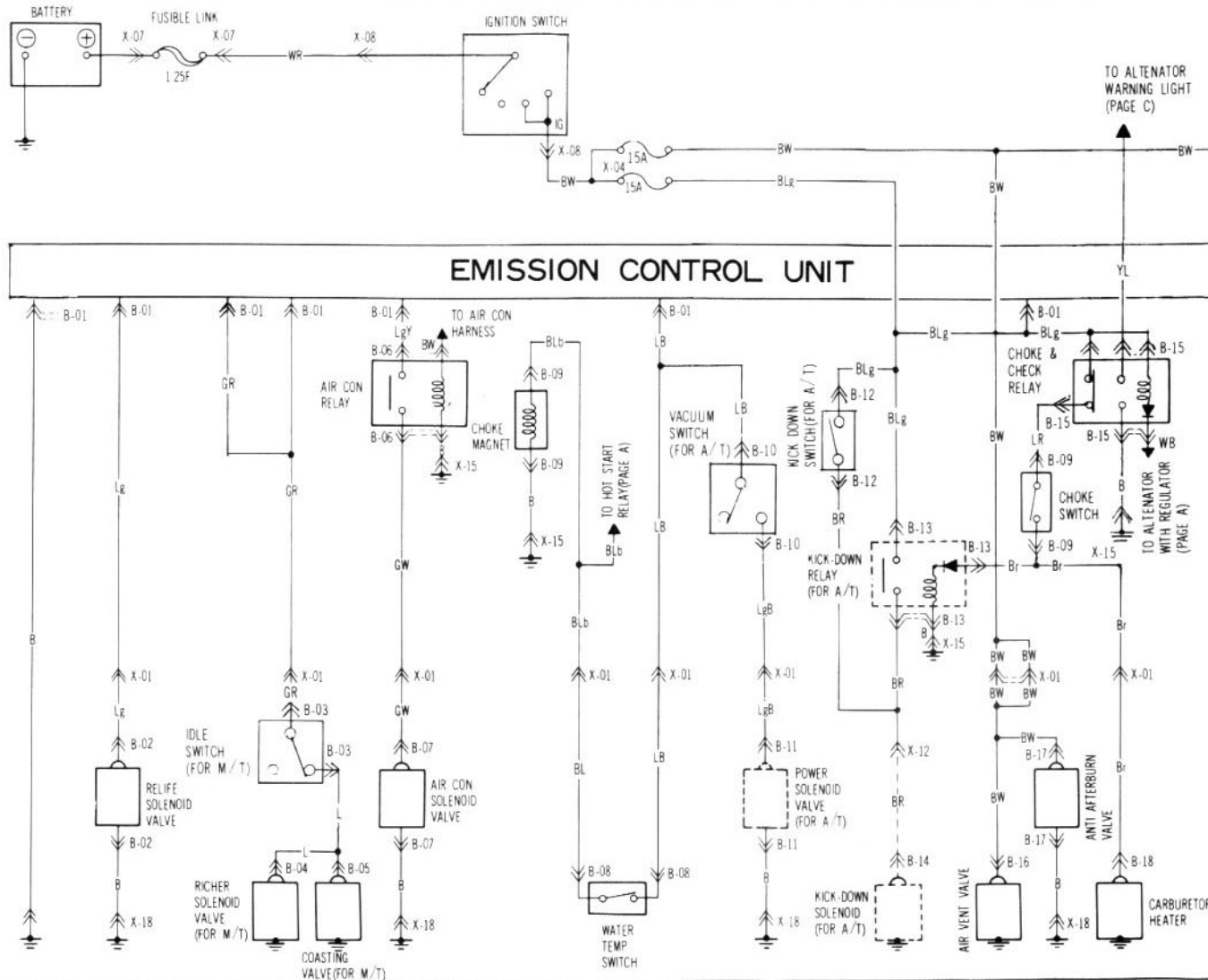
·KICK-DOWN SYSTEM ·FUEL PUMP ·IGNITION SYSTEM



| | | | | |
|-------------------------------------|--------------------------------|-------------------------------------|-------------------------------------|--------------------------|
| B-04 RICHER SOLENOID VALVE(FOR M/T) | B-05 COASTING VALVE(FOR M/T) | B-06 AIR CON RELAY | B-07 AIR CON SOLENOID VOLTAGE | B-08 WATER TEMP SWITCH |
| | | | | |
| B-11 POWER SOLENOID VALVE(FOR A/T) | B-12 KICK-DOWN SWITCH(FOR A/T) | B-13 KICK-DOWN RELAY(FOR A/T) | B-14 KICK-DOWN SOLENOID(FOR A/T) | B-15 CHOKE & CHECK RELAY |
| | | | | |
| B-20 VACUUM CONTROL VALVE (FOR M/T) | B-21 NO.2 WATER TEMP SWITCH | B-22 + TERMINAL OF IGNITION COIL(T) | B-23 - TERMINAL OF IGNITION COIL(T) | B-24 TOP SWITCH(FOR M/T) |
| | | | | |
| B-29 FUEL PUMP | B-30 ALTITUDE SWITCH (FOR M/T) | B-31 IGNITER | | |
| | | | | |

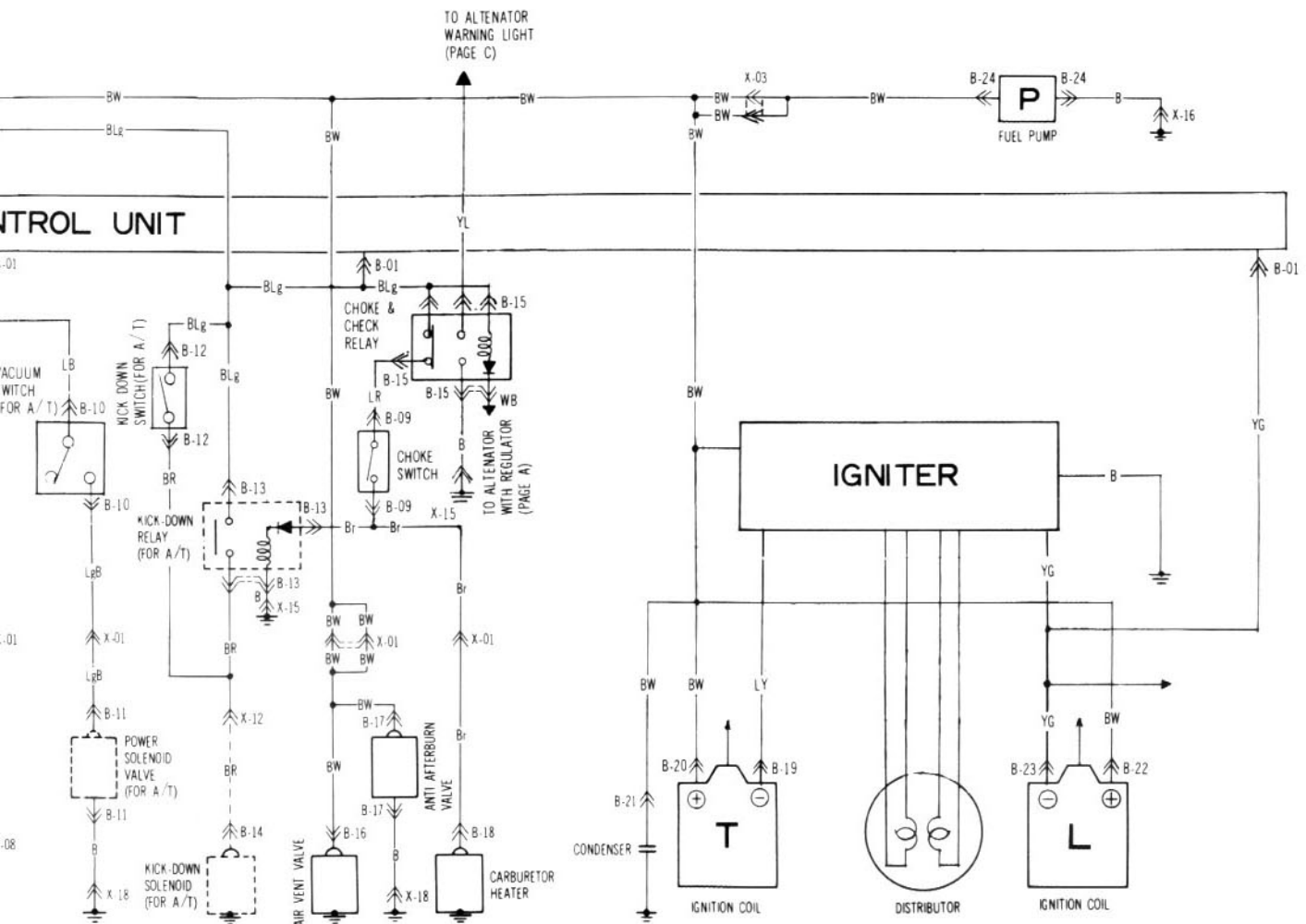
EXCEPT FOR CALIFORNIA SPEC.



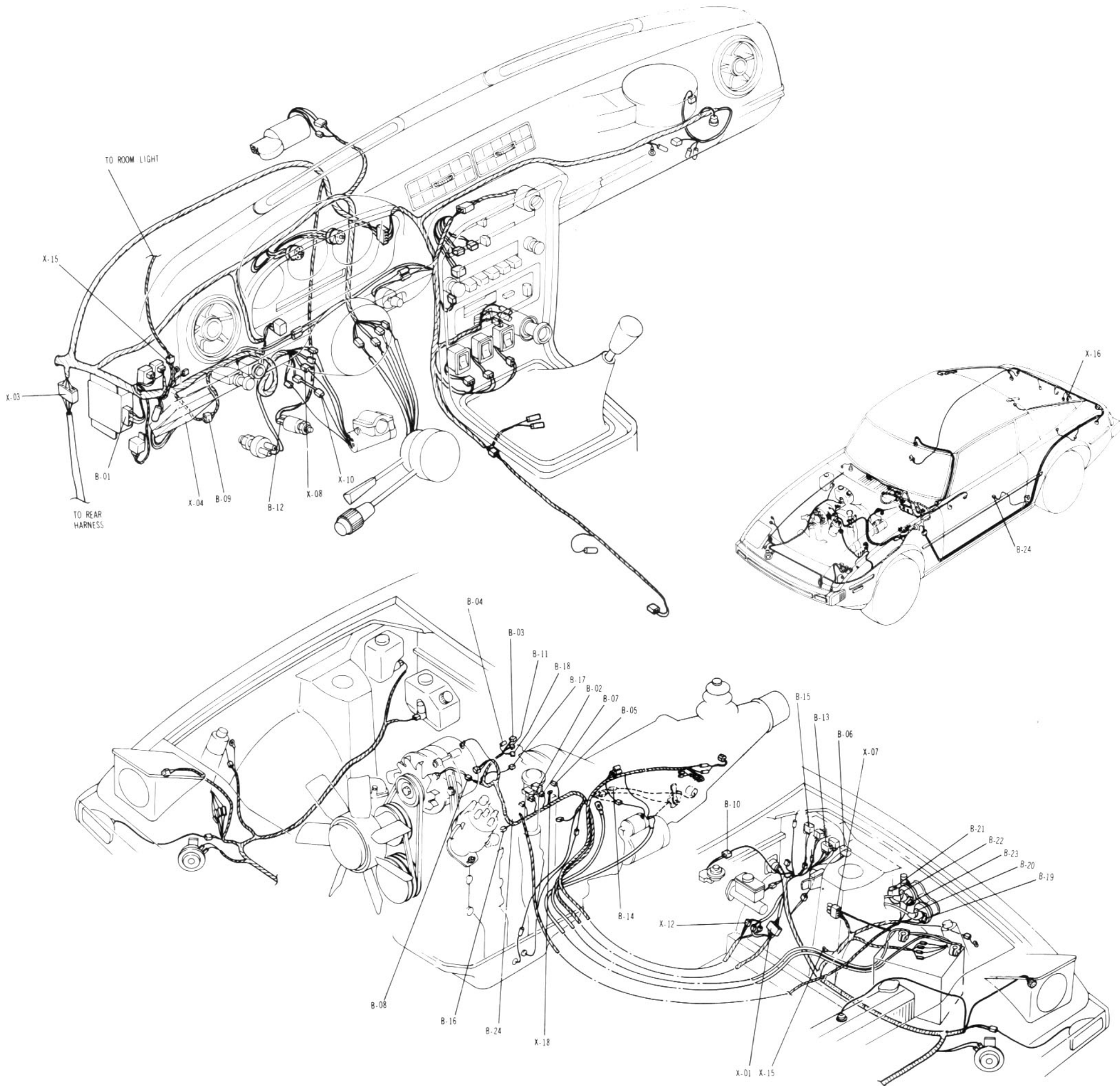


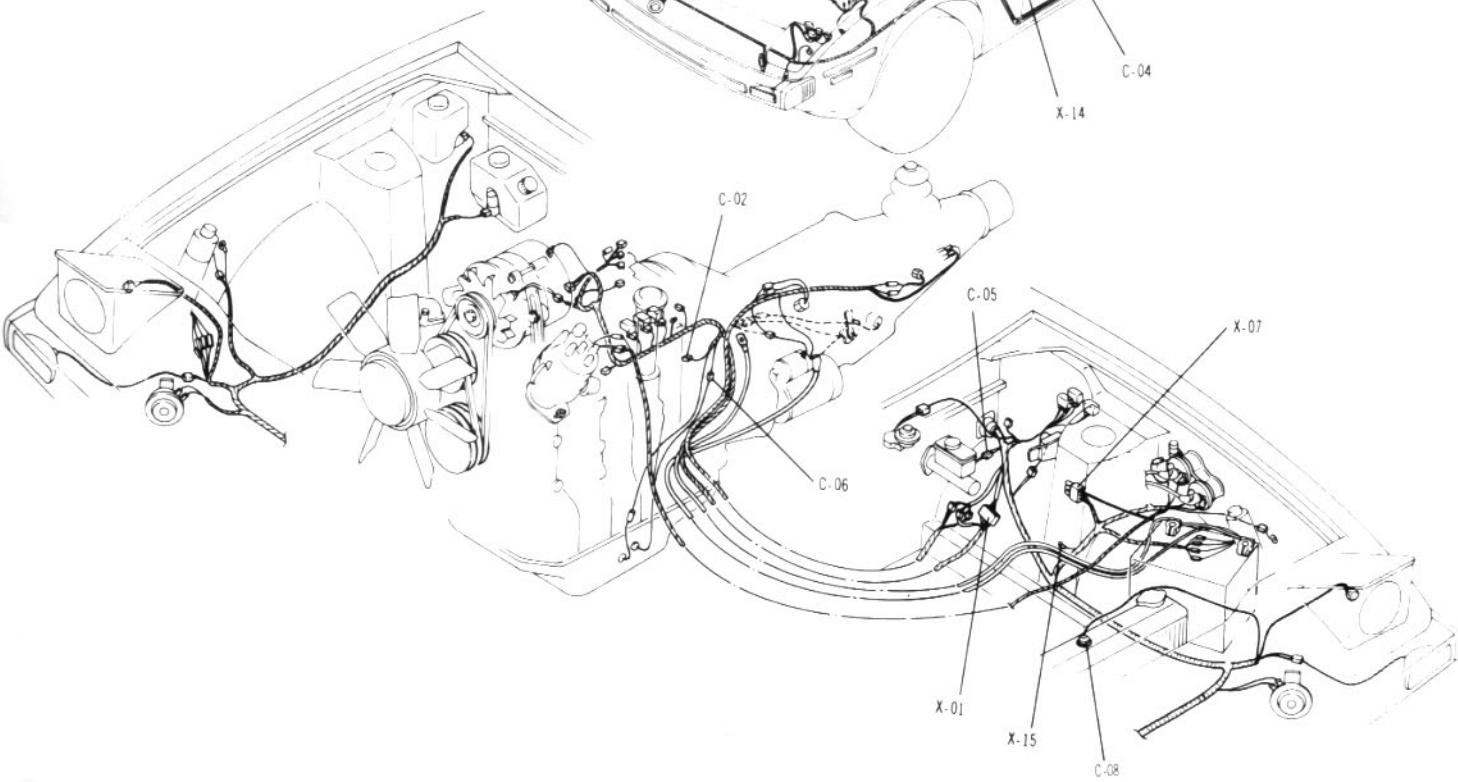
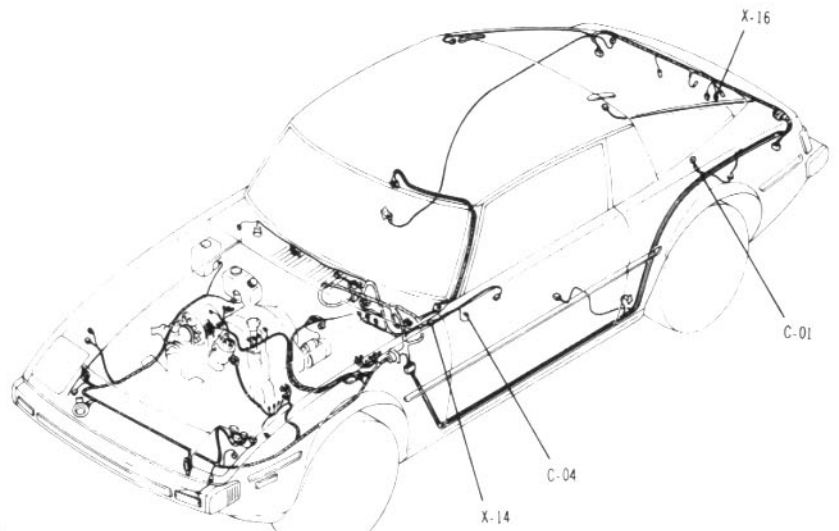
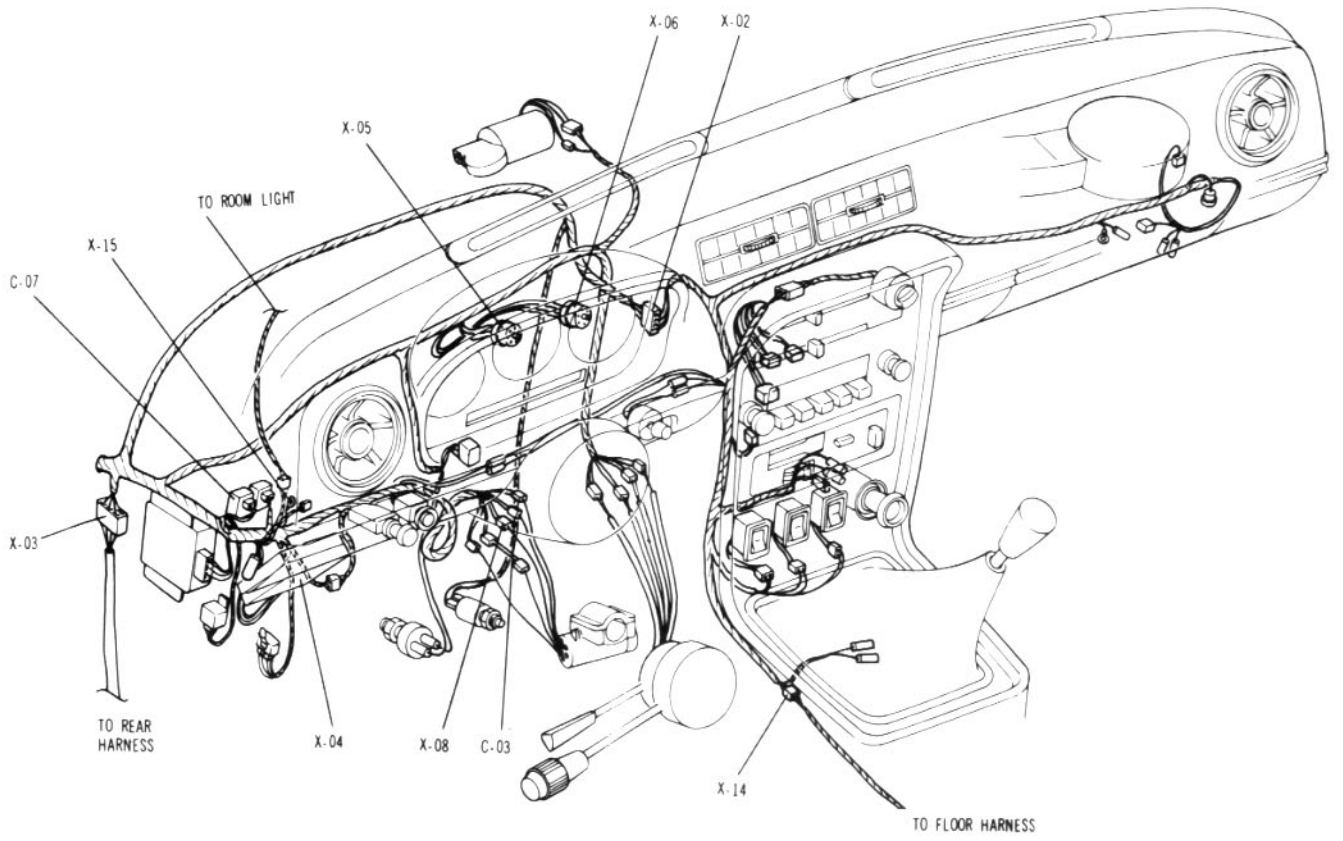
| | | | | | |
|-----------------------------------|-----------------------------------|-------------------------------------|---|---|-----------------------|
| <p>B-01 EMISSION CONTROL UNIT</p> | <p>B-02 RELIEF SOLENOID VALVE</p> | <p>B-03 IDLE SWITCH (FOR M/T)</p> | <p>B-04 RICHER SOLENOID VALVE (FOR M/T)</p> | <p>B-05 COASTING VALVE (FOR M/T)</p> | |
| | <p>B-09 CHOKE SWITCH</p> | <p>B-10 VACUUM SWITCH (FOR A/T)</p> | <p>B-11 POWER SOLENOID VALVE (FOR A/T)</p> | <p>B-12 KICK-DOWN SWITCH (FOR A/T)</p> | |
| <p>B-16 AIR VENT VALVE</p> | <p>B-17 ANTI AFTERBURN VALVE</p> | <p>B-18 CARBURETOR HEATER</p> | <p>B-19 ⊖ TERMINAL OF IGNITION COIL (T)</p> | <p>B-20 ⊕ TERMINAL OF IGNITION COIL (T)</p> | <p>B-21 CONDENSER</p> |

·KICK-DOWN SYSTEM ·FUEL PUMP ·IGNITION SYSTEM

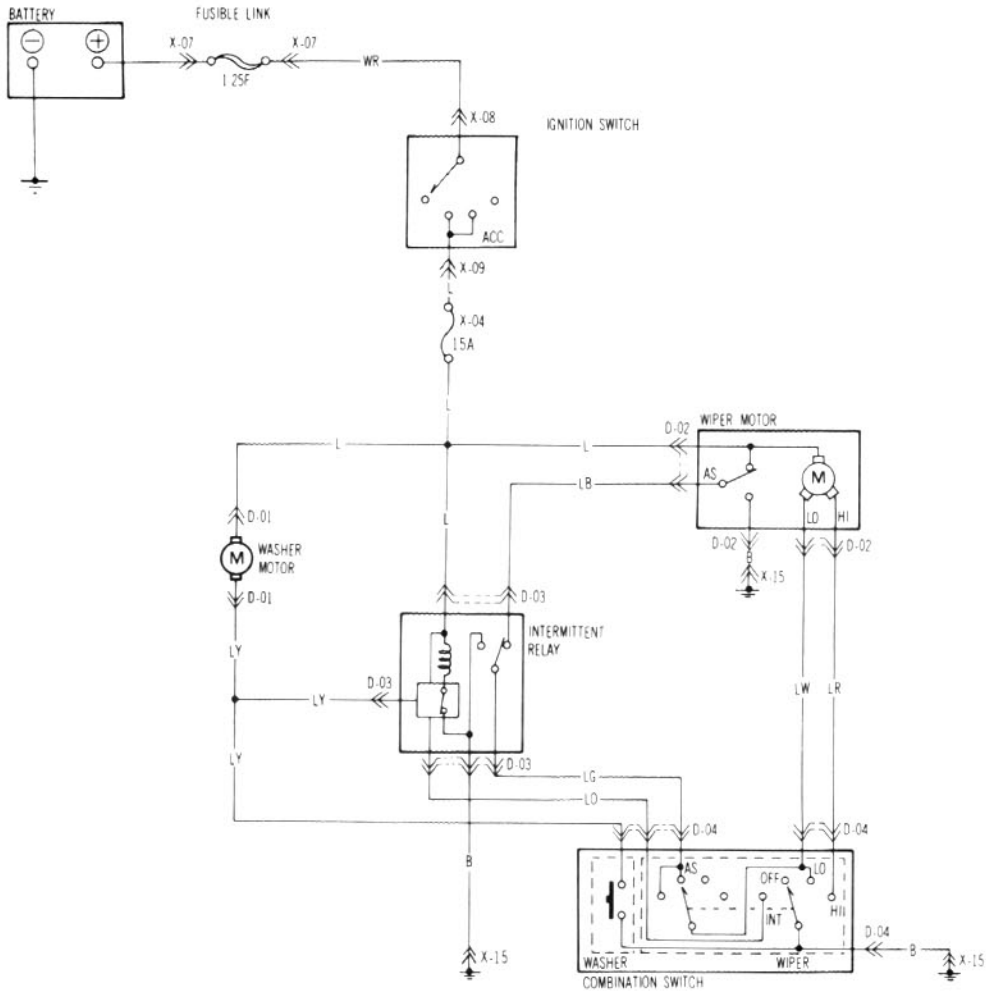


| | | | | | |
|------------------|-------------------------------------|--------------------------------|-------------------------------------|-------------------------------------|--------------------------|
| | B-04 RICHER SOLENOID VALVE(FOR M/T) | B-05 COASTING VALVE(FOR M/T) | B-06 AIR CON RELAY | B-07 AIR CON SOLENOID VOLTAGE | B-08 WATER TEMP SWITCH |
| | | | | | |
| | B-11 POWER SOLENOID VALVE(FOR A/T) | B-12 KICK-DOWN SWITCH(FOR A/T) | B-13 KICK-DOWN RELAY(FOR A/T) | B-14 KICK-DOWN SOLENOID(FOR A/T) | B-15 CHOKE & CHECK RELAY |
| | | | | | |
| IGNITION COIL(T) | B-20 ⊕ TERMINAL OF IGNITION COIL(T) | B-21 CONDENSER | B-22 ⊕ TERMINAL OF IGNITION COIL(L) | B-23 ⊖ TERMINAL OF IGNITION COIL(L) | B-24 FUEL PUMP |
| | | | | | |





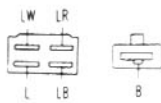
WIPER & WASHER SYSTEM



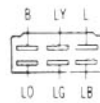
D-01 WASHER MOTOR



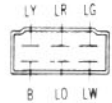
D-02 WIPER MOTOR

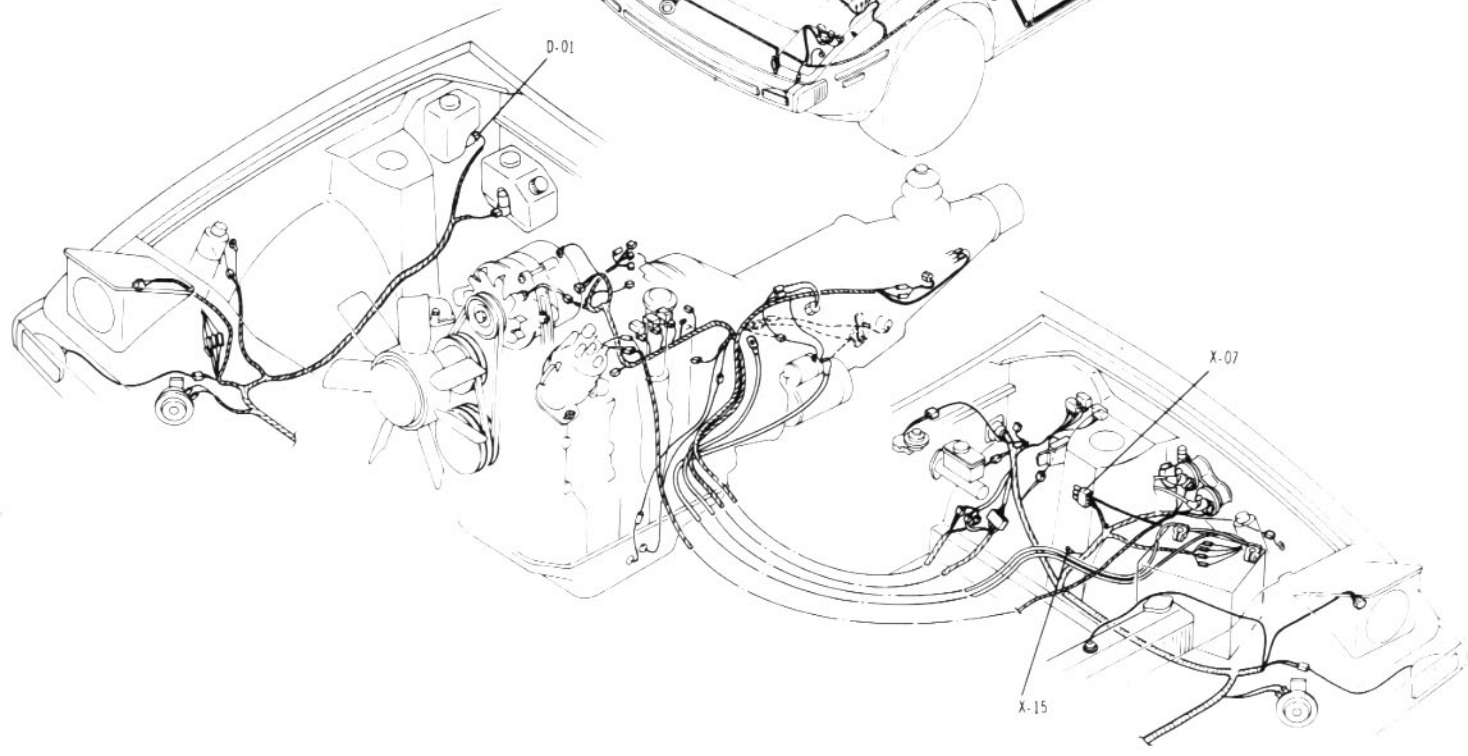
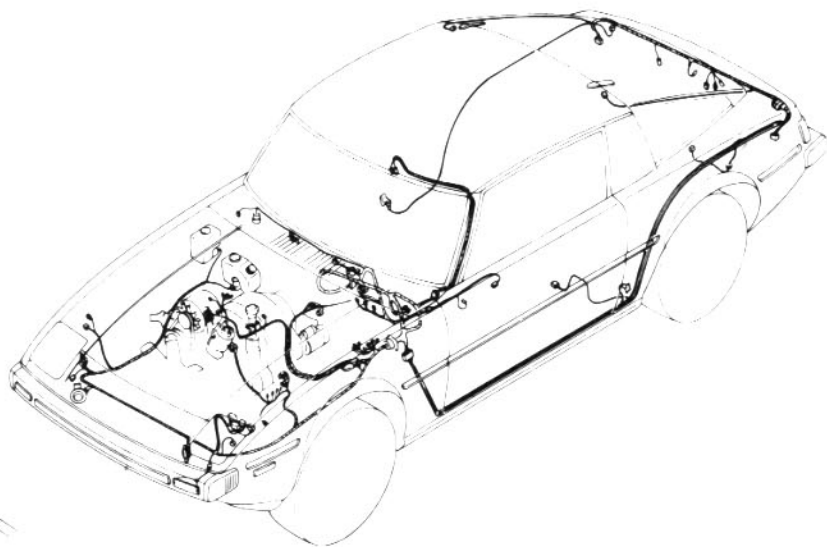
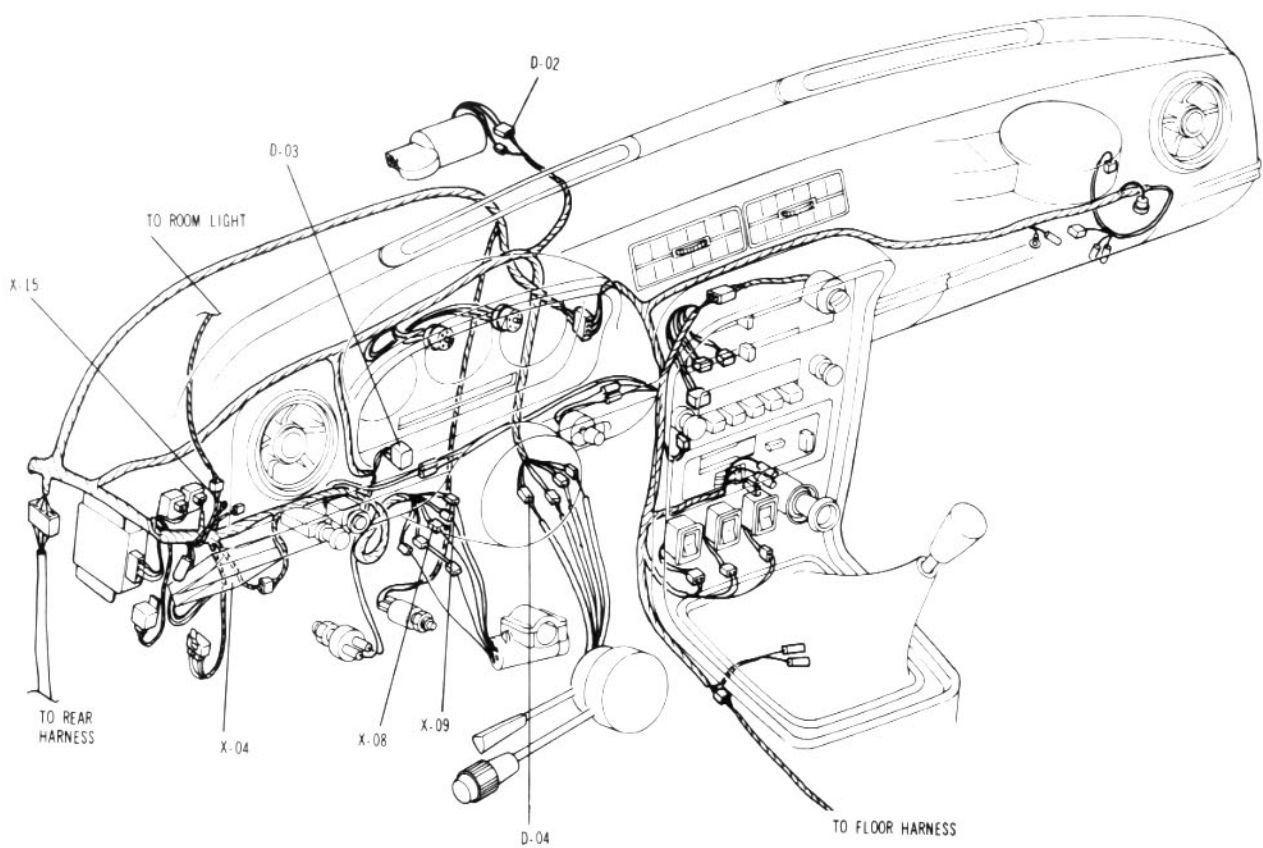


D-03 INTERMITTENT RELAY

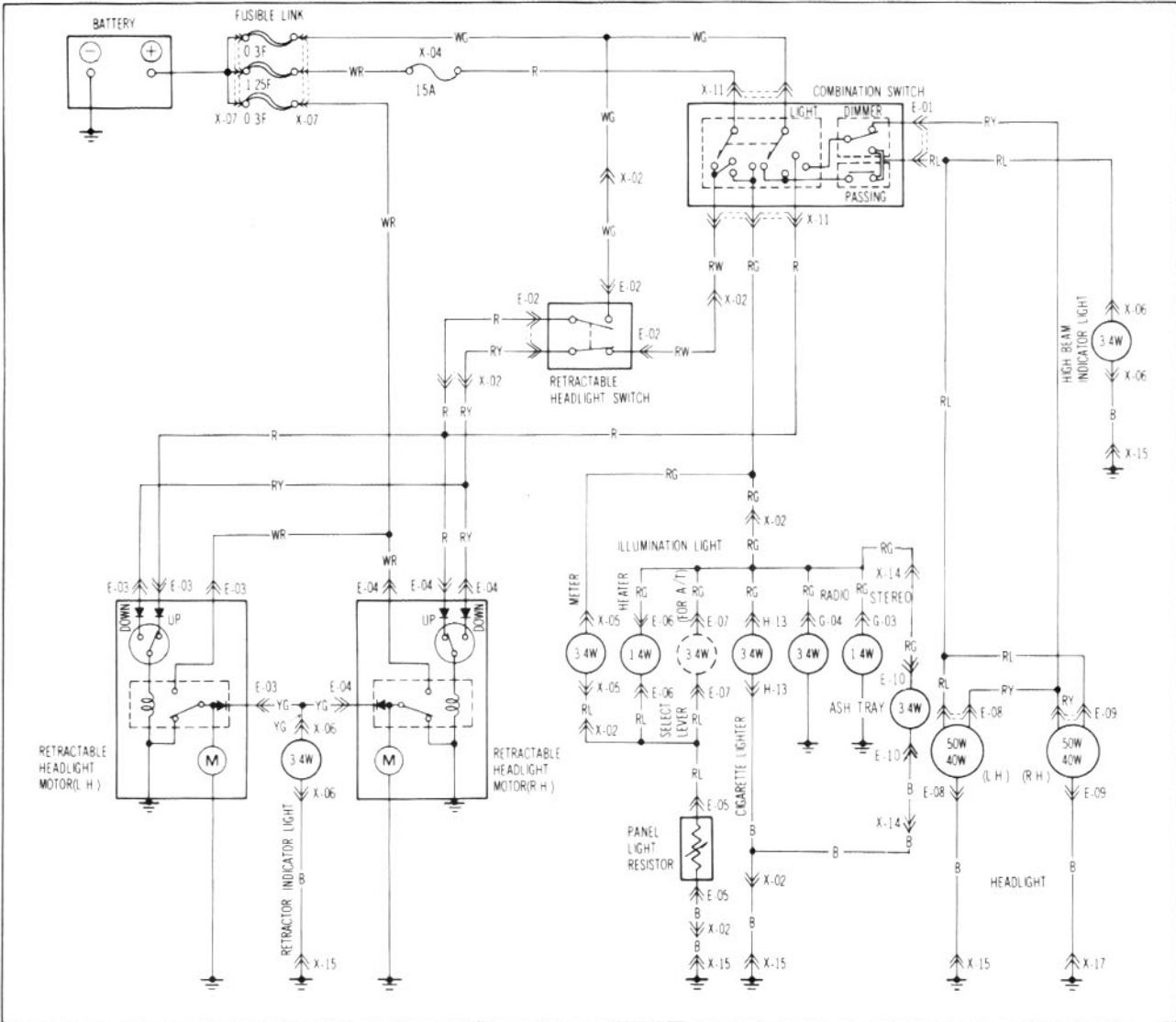


D-04 COMBINATION SWITCH

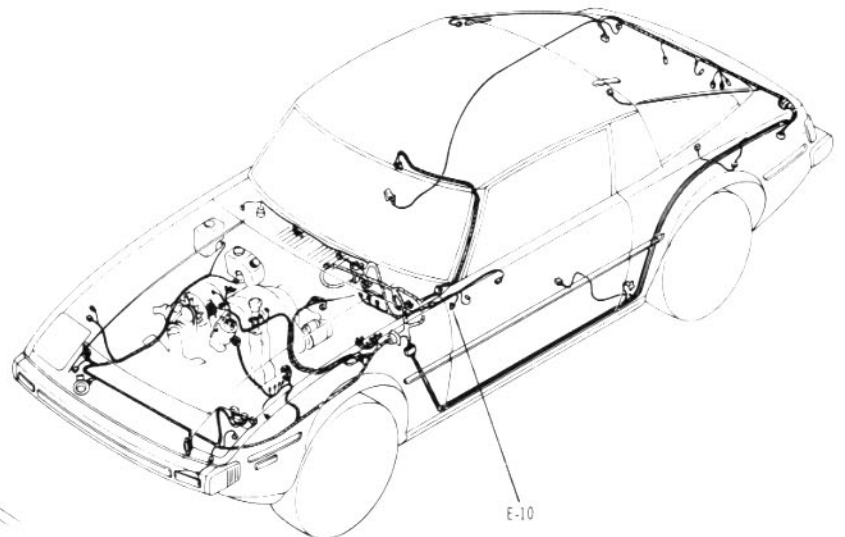
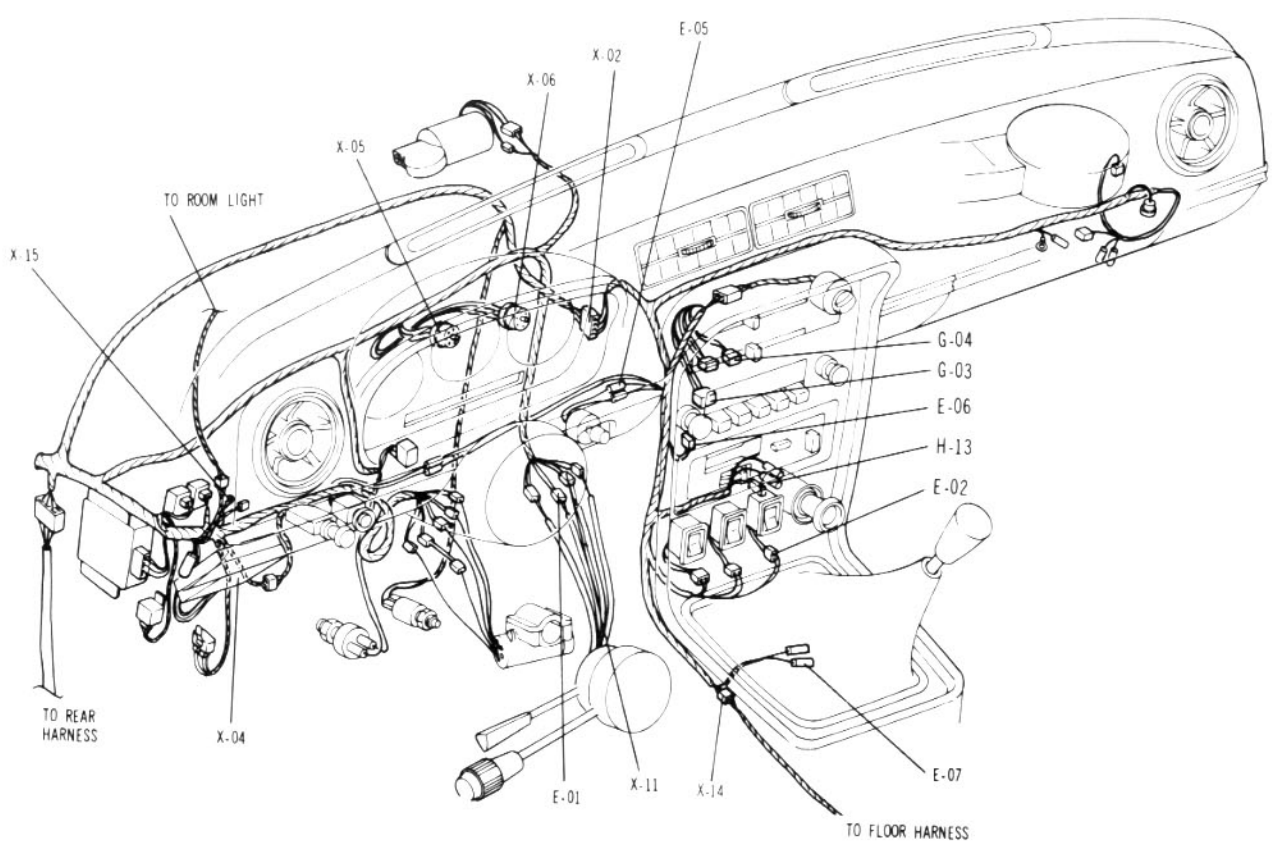


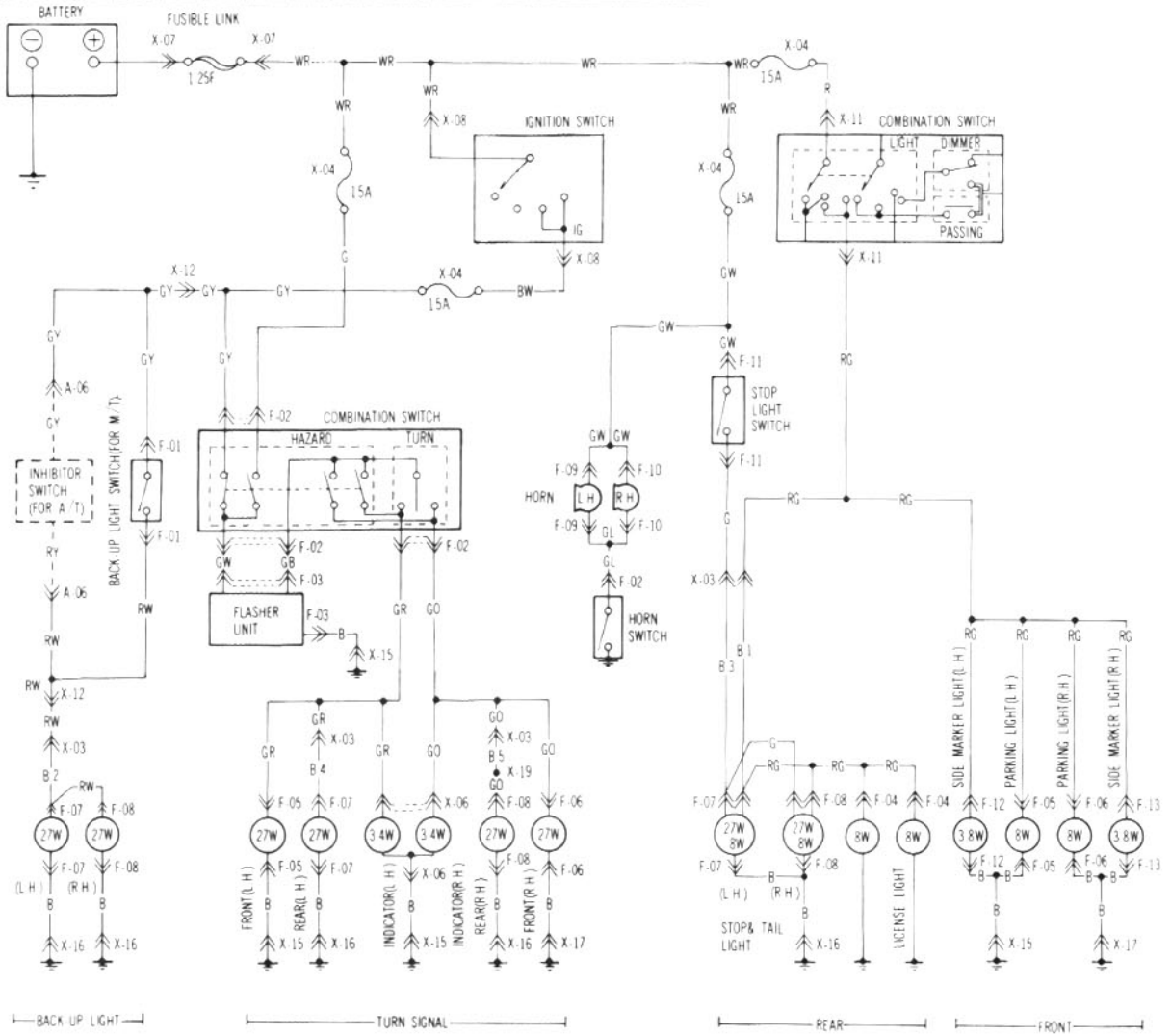


HEADLIGHT & ILLUMINATION SYSTEM

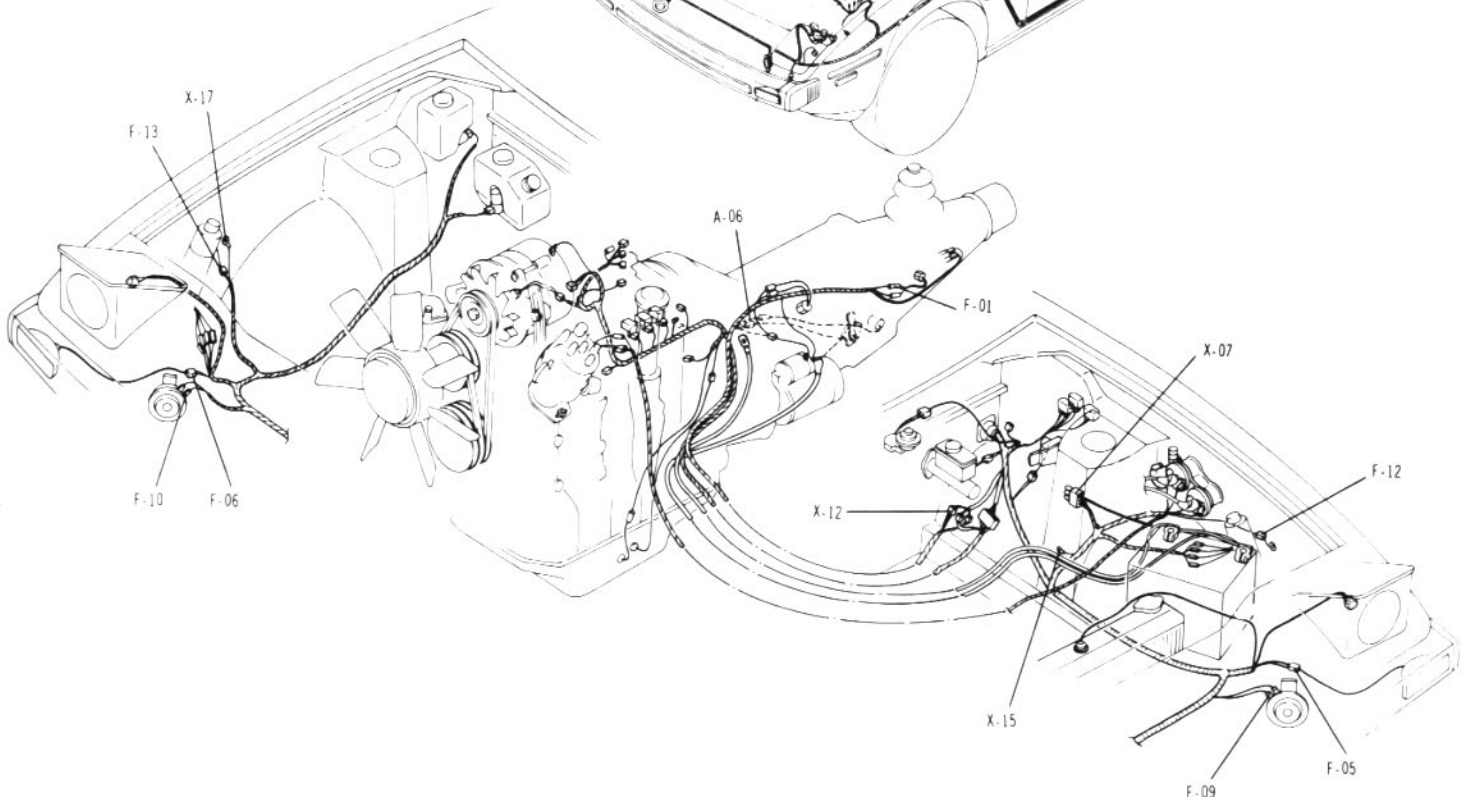
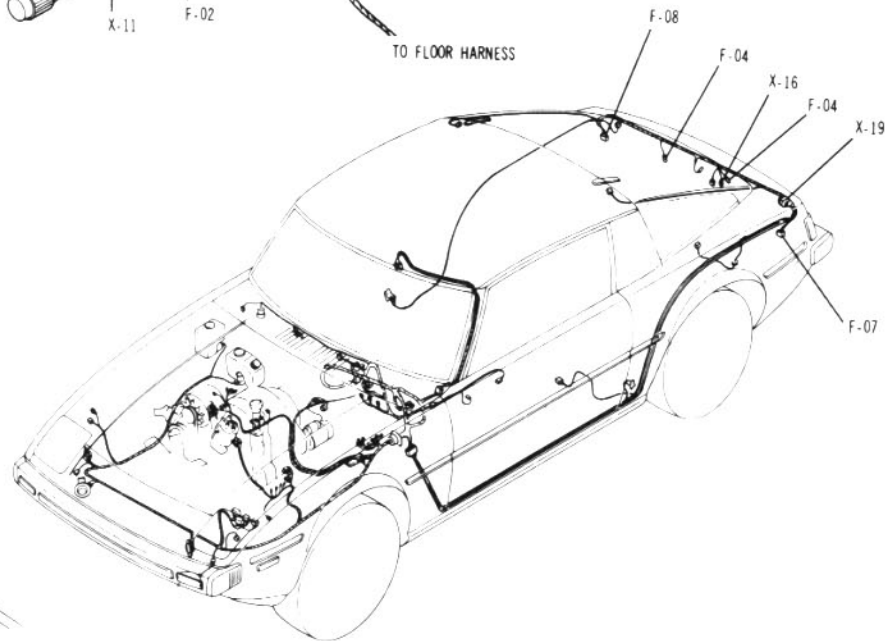
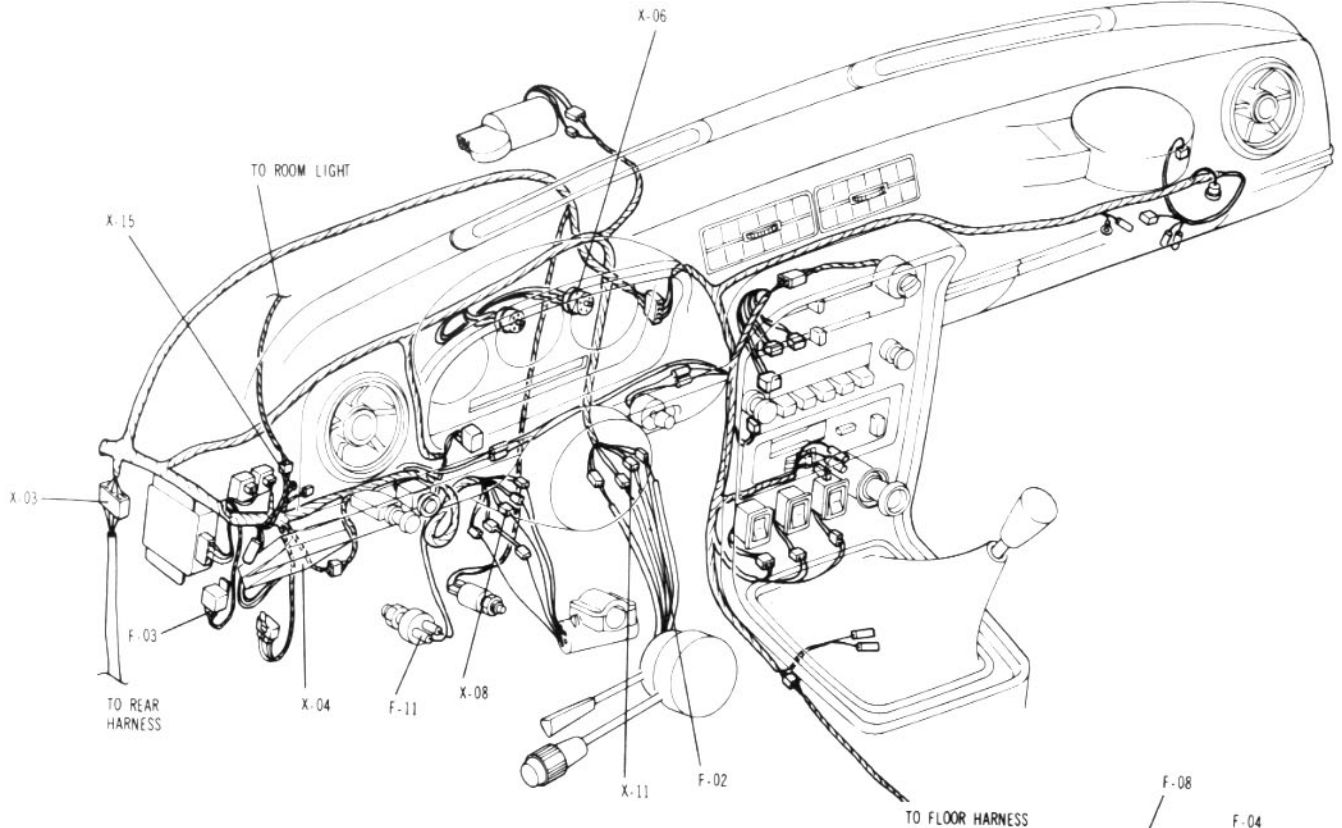


| | | | |
|----------------------------------|--|---|--|
| <p>E-01 COMBINATION SWITCH</p> | <p>E-02 RETRACTABLE HEADLIGHT SWITCH</p> | <p>E-03 RETRACTABLE HEADLIGHT MOTOR(L H)</p> | <p>E-04 RETRACTABLE HEADLIGHT MOTOR(R H)</p> |
| <p>E-05 PANEL LIGHT RESISTOR</p> | <p>E-06 HEATER ILLUMINATION LIGHT</p> | <p>E-07 SELECT LEVER ILLUMINATION LIGHT (FOR A/T)</p> | <p>E-08 HEADLIGHT(L H)</p> |
| <p>E-09 HEADLIGHT(R H)</p> | <p>E-10 ASH TRAY LIGHT</p> | | |
| | | | |



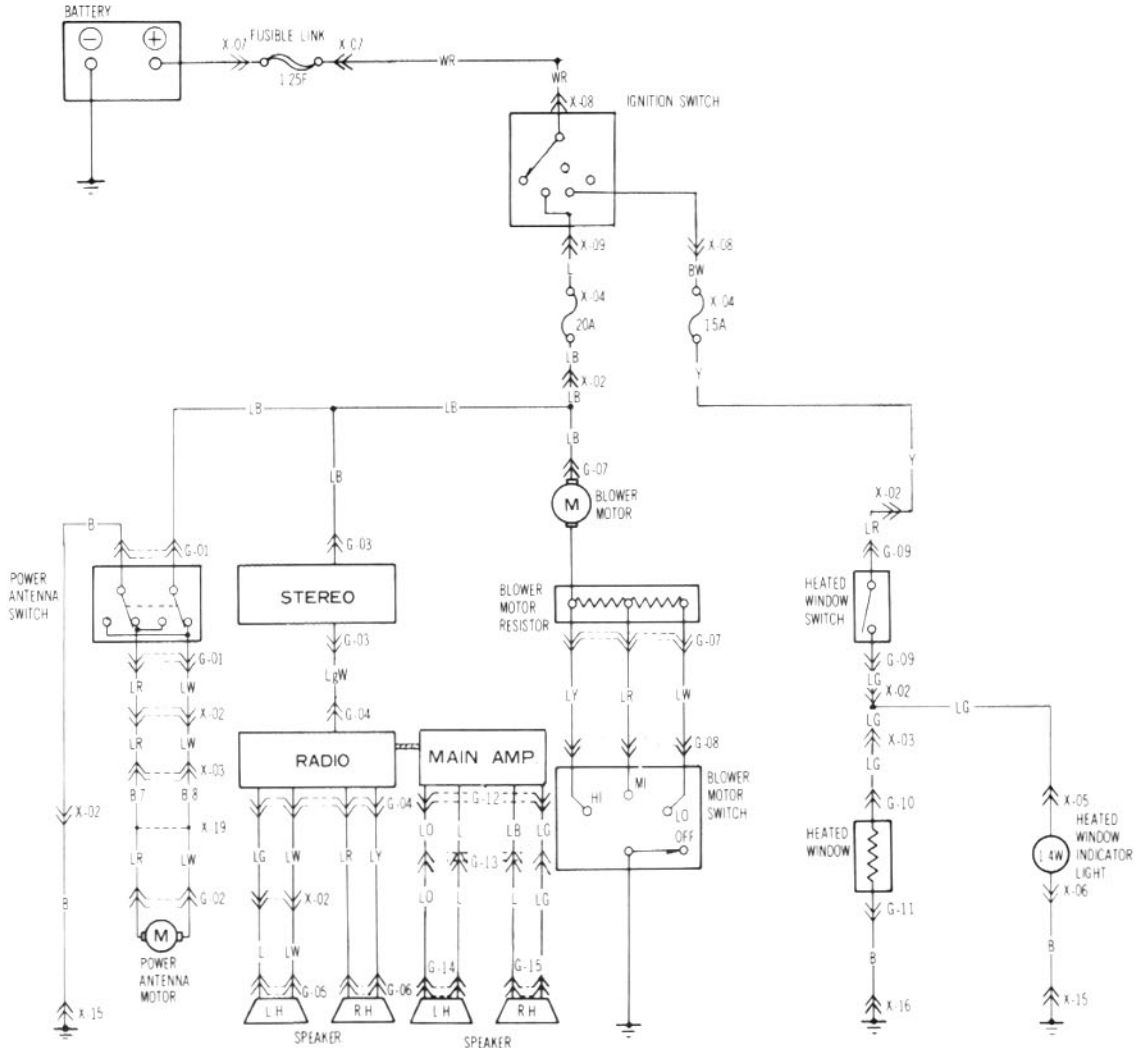


| | | | |
|---|---|---|---|
| <p>F-01 BACK-UP LIGHT SWITCH</p> | <p>F-02 COMBINATION SWITCH</p> | <p>F-03 FLASHER UNIT</p> | <p>F-04 LICENSE LIGHT</p> |
| <p>F-05 FRONT TURN & PARKING LIGHT(L.H)</p> | <p>F-06 FRONT TURN & PARKING LIGHT(R.H)</p> | <p>F-07 REAR COMBINATION LIGHT(L.H)</p> | <p>F-08 REAR COMBINATION LIGHT(R.H)</p> |
| <p>F-09 HORN(L.H)</p> | <p>F-10 HORN(R.H)</p> | <p>F-11 STOP LIGHT SWITCH</p> | <p>F-12 SIDE MARKER LIGHT(L.H)</p> |
| <p>F-13 SIDE MARKER LIGHT(R.H)</p> | | | |

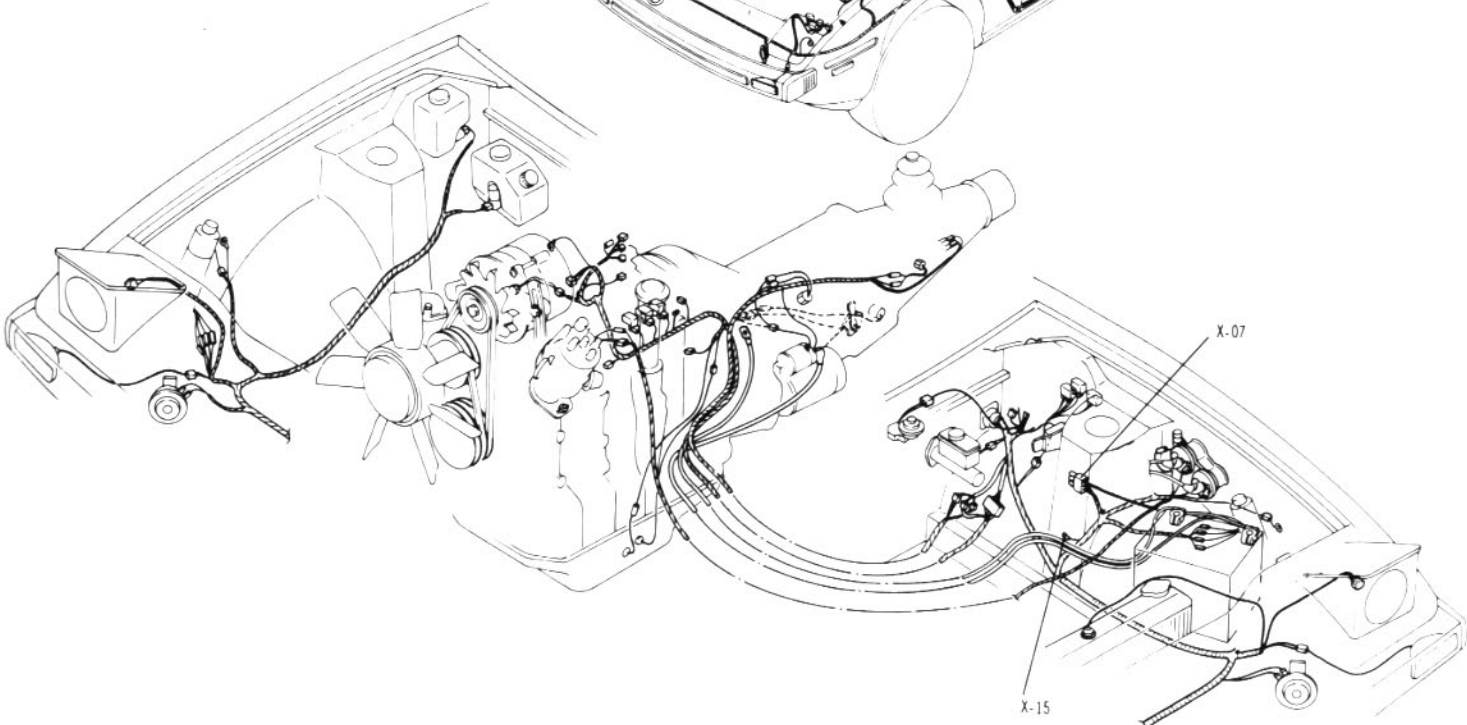
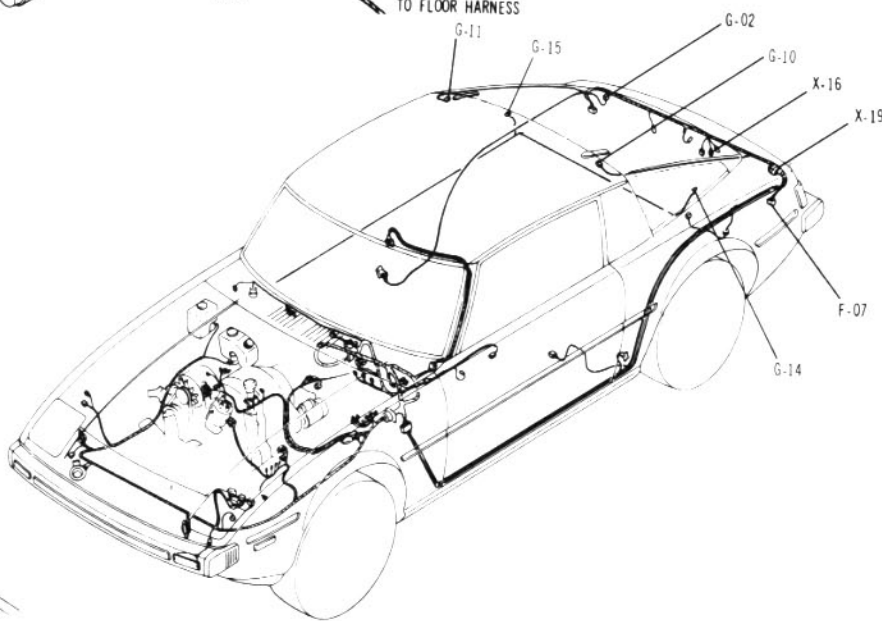
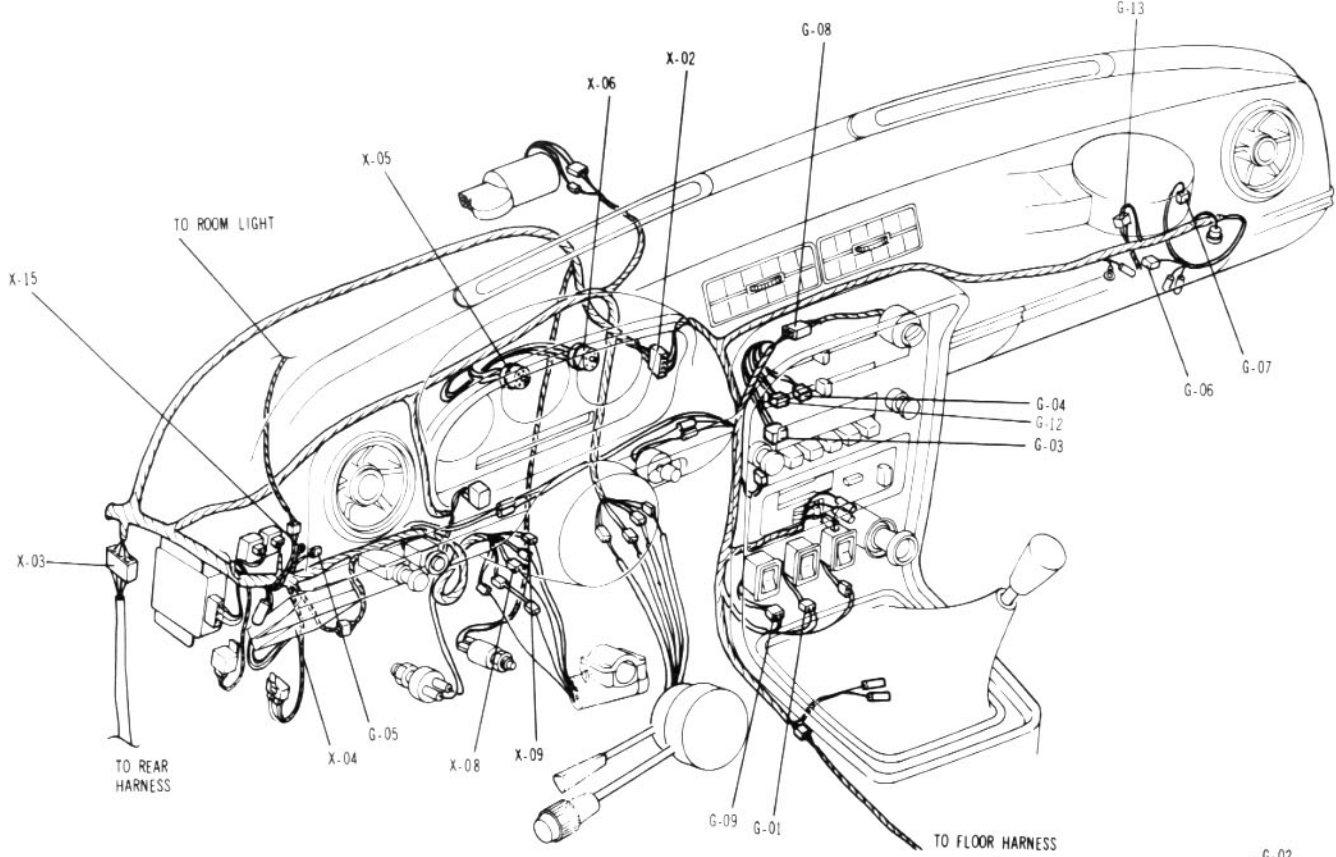


G

•HEATER SYSTEM •RADIO •STEREO
 •HEATED WINDOW SYSTEM •POWER ANTENNA

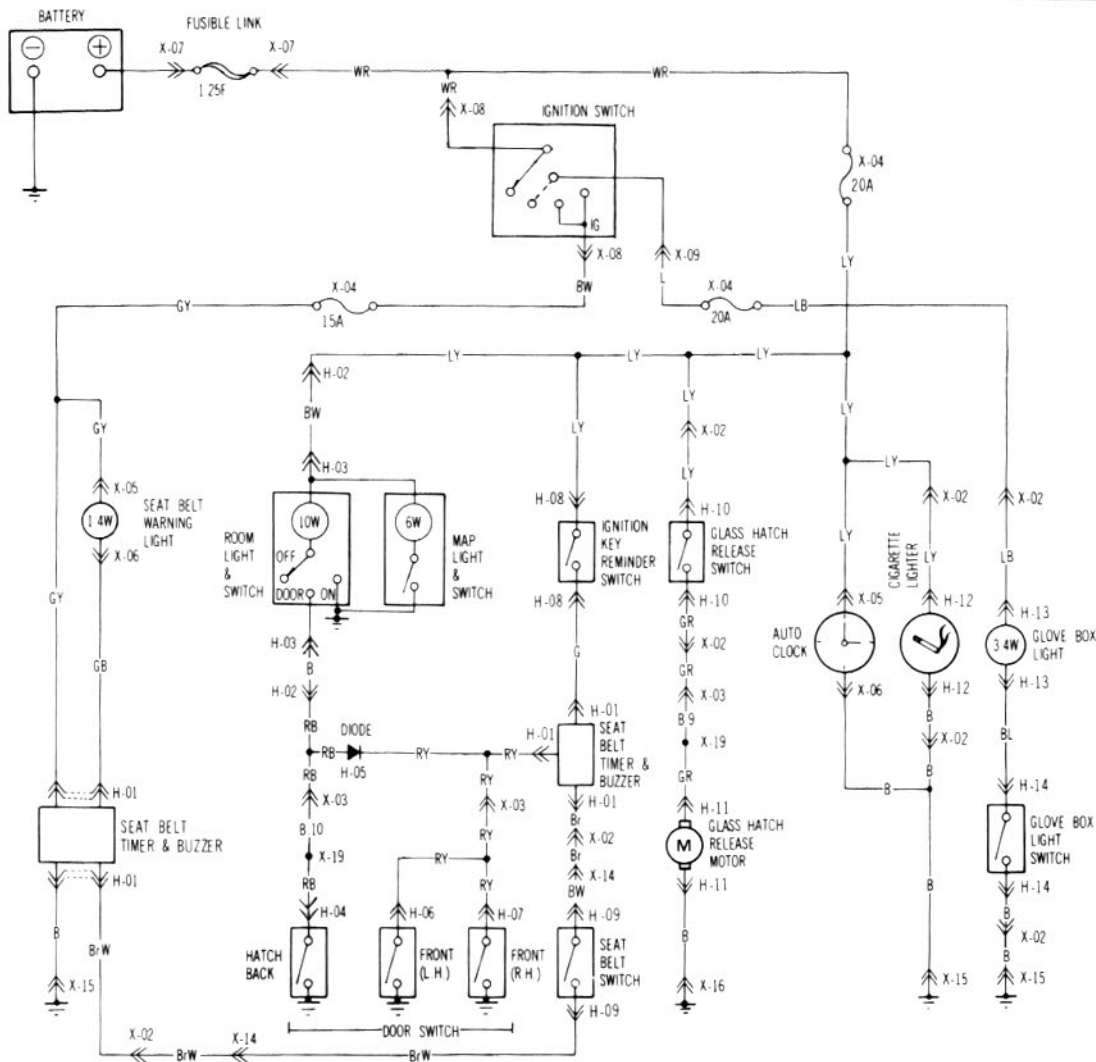


| | | | |
|-------------------------------|------------------------------|------------------------|------------------------------|
| G-01 POWER ANTENNA SWITCH | G-02 POWER ANTENNA MOTOR | G-03 STEREO | G-04 RADIO |
| G-05 SPEAKER(L.H.) | G-06 SPEAKER(R.H.) | G-07 BLOWER MOTOR | G-08 BLOWER MOTOR SWITCH |
| G-09 HEATED WINDOW SWITCH | G-10 HEATED WINDOW | G-11 HEATED WINDOW | G-12 MAIN AMP |
| G-13 CONNECTOR TO SPEAKER | G-14 SPEAKER(L.H.) | G-15 SPEAKER(R.H.) | |

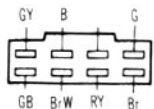


H

•SEAT BELT WARNING SYSTEM •ROOM & MAP LIGHT •AUTO CLOCK
 •CIGARETTE LIGHTER•GLOVE BOX LIGHT•GLASS HATCH RELEASE SYSTEM



H-01 SEAT BELT TIMER & BUZZER



H-02 CONNECTOR TO ROOM LIGHT



H-03 ROOM LIGHT



H-04 DOOR SWITCH(GLASS HATCH)



H-05 DIODE



H-06 DOOR SWITCH(L.H.)



H-07 DOOR SWITCH(R.H.)



H-08 IGNITION KEY REMINDER SWITCH



H-09 SEAT BELT SWITCH



H-10 GLASS HATCH RELEASE SWITCH



H-11 GLASS HATCH RELEASE MOTOR



H-12 CIGARETTE LIGHTER

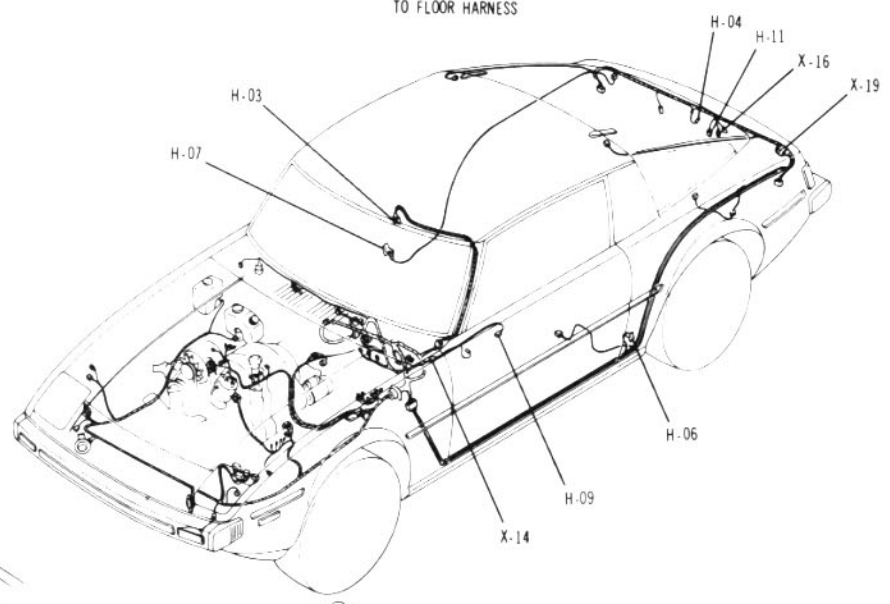
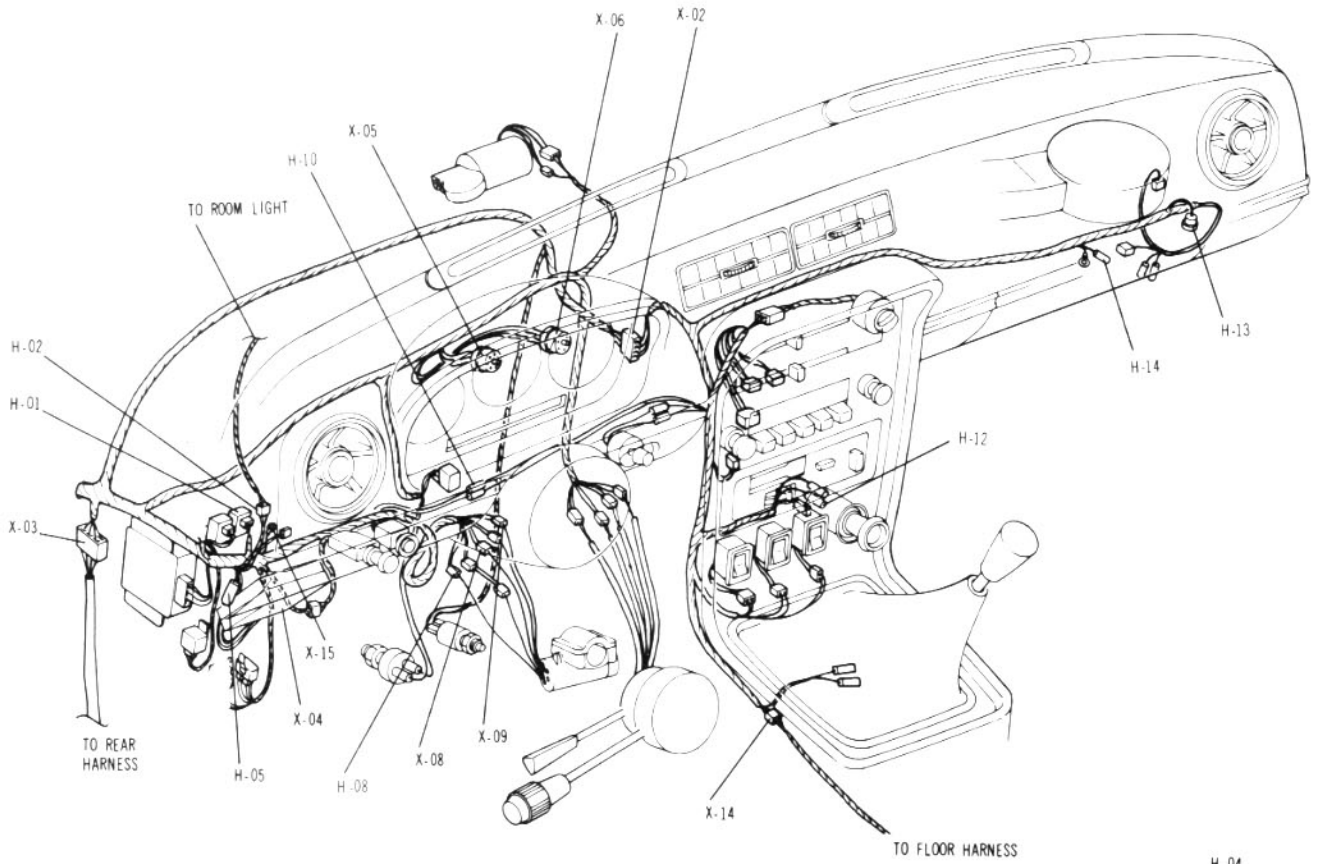


H-13 GLOVE BOX LIGHT



H-14 GLOVE BOX LIGHT SWITCH



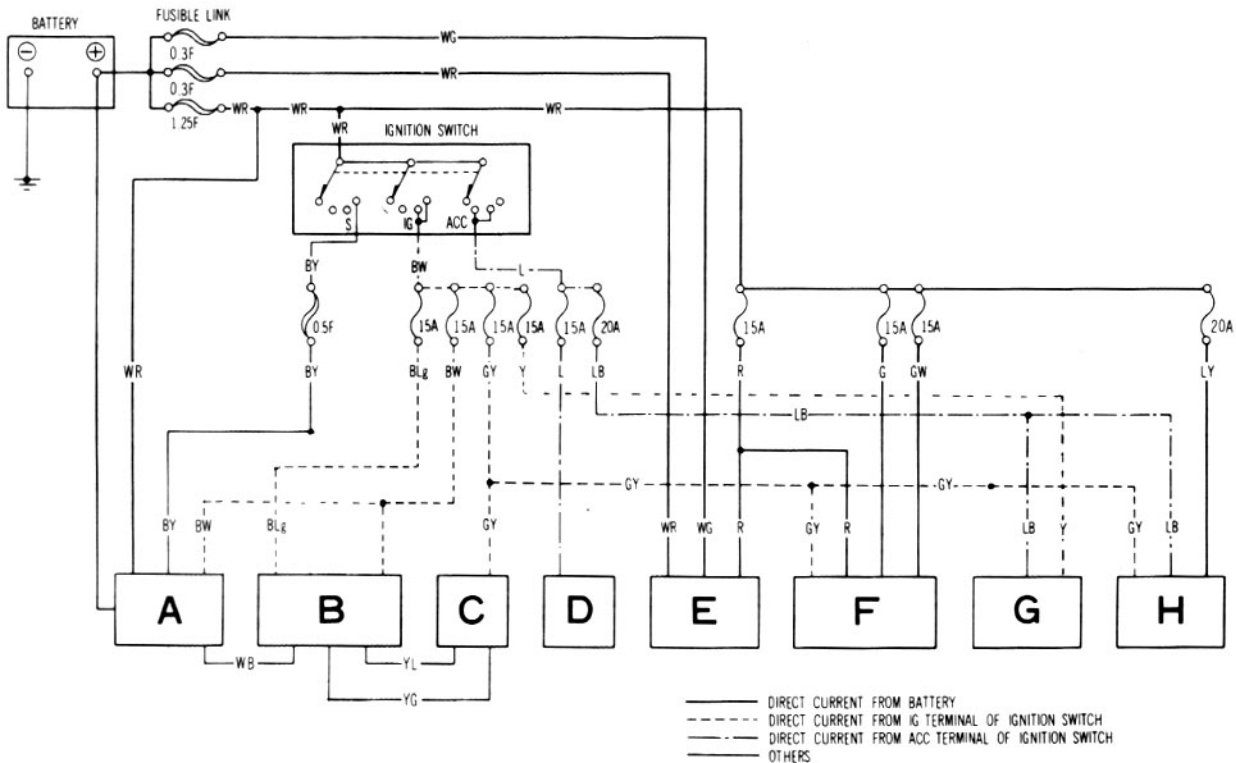


COMMON CONNECTOR LIST

X

| | | | |
|---|--|--|--|
| <p>X-01 CONNECTOR BETWEEN FRONT AND ENGINE HARNESSSES</p> <p>(EXCEPT FOR CALIF.) (FOR CALIF.)</p> | <p>X-02 CONNECTOR BETWEEN FRONT AND INPANE HARNESSSES</p> | | |
| <p>X-03 CONNECTOR BETWEEN FRONT AND REAR HARNESSSES</p> | <p>X-04 FUSE BLOCK</p> | | |
| <p>X-05 COMBINATION METER</p> | <p>X-06 COMBINATION METER</p> | <p>X-07 FUSIBLE LINK</p> | <p>X-08 IGNITION SWITCH</p> |
| <p>X-09 COMBINATION SWITCH</p> | <p>X-10 CONNECTOR TO TRANSMISSION HARNESS (EXCEPT FOR CALIF.)</p> <p>BY (FOR M/T) BY (FOR A/T)</p> | <p>X-11 CONNECTOR TO TRANSMISSION HARNESS (FOR CALIF.)</p> | <p>X-12 CONNECTOR TO PARKING BRAKE HARNESS</p> |
| <p>X-13 EARTH</p> | <p>X-14 EARTH</p> | <p>X-15 EARTH</p> | <p>X-16 EARTH</p> |
| <p>X-17 JOINTER</p> <p>This is located in the main harness</p> | <p>X-20 CONNECTOR BETWEEN FRONT AND ENGINE HARNESSSES (for CANADA)</p> | | |

SUB SYSTEM CONNECTIONS



Mazda RX-7 ¹⁹⁸⁰ Mazda **Wiring Diagram**